



US00D913801S

(12) **United States Design Patent**  
**Mastronardi**

(10) **Patent No.:** **US D913,801 S**

(45) **Date of Patent:** **\*\* Mar. 23, 2021**

(54) **CONTAINER**

(74) *Attorney, Agent, or Firm* — Dinsmore & Shohl, LLP

(71) Applicant: **Mastronardi Produce Ltd.**, Kingsville (CA)

(57) **CLAIM**

The ornamental design for a container, as shown and described.

(72) Inventor: **Paul Mastronardi**, Leamington (CA)

**DESCRIPTION**

(73) Assignee: **Mastronardi Produce Limited**, Kingsville (CA)

FIG. 1 is a perspective view of a top or upper side of a container;  
FIG. 2 is a planar view of an end of the container;  
FIG. 3 is a planar view of a side of the container;  
FIG. 4 is a planar view of the top of the container;  
FIG. 5 is a planar view of an opposite side of the container;  
FIG. 6 is a planar view an underside of the container;  
FIG. 7 is a planar view of an opposite end of the container;  
FIG. 8 is a perspective view of the top or upper side of a base of the container, shown broken away for ease of illustration;  
FIG. 9 is a planar view of an end of the base of the container;  
FIG. 10 is a planar view of a side of the base of the container;  
FIG. 11 is a planar view of the top of the base of the container;  
FIG. 12 is a planar view of an opposite side of the base of the container;  
FIG. 13 is a planar view an underside of the base of the container;  
FIG. 14 is a planar view of an opposite end of the base of the container;  
FIG. 15 is a perspective view of the top or upper side of a lid of the container, shown broken away for ease of illustration;  
FIG. 16 is a planar view of an end of the lid of the container;  
FIG. 17 is a planar view of a side of the lid of the container;  
FIG. 18 is a planar view of the top of the lid of the container;  
FIG. 19 is a planar view of an opposite side of the lid of the container;  
FIG. 20 is a planar view an underside of the lid of the container; and,  
FIG. 21 is a planar view of an opposite end of the lid of the container.

(\*\*) Term: **15 Years**

(21) Appl. No.: **29/710,455**

(22) Filed: **Oct. 23, 2019**

(51) **LOC (13) Cl.** ..... **09-01**

(52) **U.S. Cl.**

USPC ..... **D9/668**; D9/428; D9/429

(58) **Field of Classification Search**

USPC ..... D7/514-520, 539, 571, 301, 599, 604, D7/613, 619.2, 623, 625, 628, 675, 392.1;

(Continued)

(56) **References Cited**

**U.S. PATENT DOCUMENTS**

D320,743 S \* 10/1991 Alexander ..... D9/425  
D415,929 S 11/1999 D'Arrigo

(Continued)

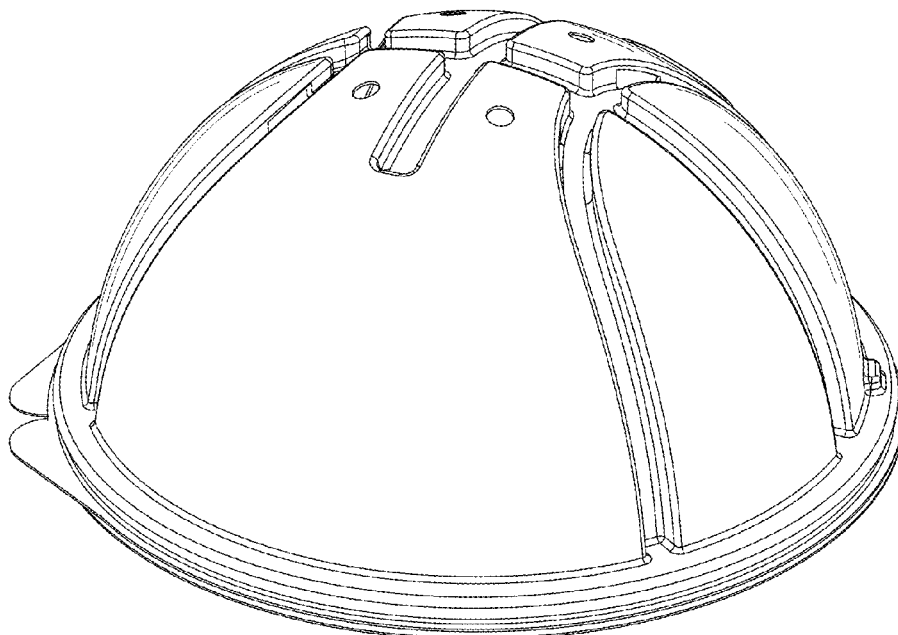
**OTHER PUBLICATIONS**

Bard Plastics Inc. Basketball Container, published Aug. 26, 2019.  
<https://www.bardplastics.com/seasonal-and-sports-containers>.\*

(Continued)

*Primary Examiner* — Sandra L Morris

**1 Claim, 11 Drawing Sheets**



(58) **Field of Classification Search**

USPC ..... D9/600, 643, 668, 500–516, 519–521,  
 D9/414–434; 206/494, 457, 459.1, 459.2;  
 220/890; 215/206, 260, 387–400;  
 D21/712; D3/270–271.9  
 CPC ..... B65D 67/00; B65D 81/36; B65D 81/366;  
 B65D 41/00; B65D 41/02; B65D 43/00;  
 B65D 43/02; B65D 5/42; A63H 33/10;  
 A63B 59/50  
 See application file for complete search history.

(56) **References Cited**

U.S. PATENT DOCUMENTS

D436,532	S	*	1/2001	Richardson	.....	D9/428
D520,230	S		5/2006	Gotlieb		
D584,610	S	*	1/2009	Eberhardt	.....	D9/425
D610,458	S	*	2/2010	Martin	.....	D9/414
D618,547	S	*	6/2010	Manning	.....	D9/428
D638,071	S		5/2011	Tyler		
D665,266	S	*	8/2012	Gelin	.....	D9/668
D692,759	S	*	11/2013	Rapparini	.....	D9/428
D710,153	S	*	8/2014	Marini	.....	D9/668
D711,247	S	*	8/2014	Sanders	.....	D9/668
D734,665	S	*	7/2015	Cahen	.....	D9/428
D825,270	S	*	8/2018	Walbroel	.....	D9/668
D826,053	S	*	8/2018	Schaling	.....	D9/428
D850,211	S	*	6/2019	Walbroel	.....	D9/668

OTHER PUBLICATIONS

Playful Sports Mugs, created by Max; [https://www.uncommongoods.com/product/playful-sports-mugs?gclid=Cj0KCQIAvc\\_xBRCYARIsAC5QT9kRPzudyb5e4yLh68VwyRUOcSUIEPEAg70GV2zXZmq6oL\\_diceMeH4aAoINEALw\\_wcB#255120000000?country=US&aw\\_cid=418990617&aw\\_aid=23029474017&aw\\_dev=c&aw\\_loc=9016838&aw\\_key=&aw\\_mtype=&aw\\_net=g&aw\\_ad=89943116937](https://www.uncommongoods.com/product/playful-sports-mugs?gclid=Cj0KCQIAvc_xBRCYARIsAC5QT9kRPzudyb5e4yLh68VwyRUOcSUIEPEAg70GV2zXZmq6oL_diceMeH4aAoINEALw_wcB#255120000000?country=US&aw_cid=418990617&aw_aid=23029474017&aw_dev=c&aw_loc=9016838&aw_key=&aw_mtype=&aw_net=g&aw_ad=89943116937)

&aw\_pos=1o6&aw\_shopid=255120000000&aw\_prod\_partid=843943301474; Jun. 1, 2019, 1 page.  
 Large Basketball Shaped Ceramic Planter 4.5 Inch from Burton & Burton; <[https://www.cherrylandsales.com/Large-Basketball-Shaped-Ceramic-Planter-45-Inch-from-Burton-Burton\\_p\\_15673.html?gclid=Cj0KCQIAvc\\_xBRCYARIsAC5QT9kRPzudyb5e4yLh68VwyRUOcSUIEPEAg70GV2zXZmq6oL\\_diceMeH4aAoINEALw\\_wcB#255120000000?country=US&aw\\_cid=418990617&aw\\_aid=23029474017&aw\\_dev=c&aw\\_loc=9016838&aw\\_key=&aw\\_mtype=&aw\\_net=g&aw\\_ad=89943116937](https://www.cherrylandsales.com/Large-Basketball-Shaped-Ceramic-Planter-45-Inch-from-Burton-Burton_p_15673.html?gclid=Cj0KCQIAvc_xBRCYARIsAC5QT9kRPzudyb5e4yLh68VwyRUOcSUIEPEAg70GV2zXZmq6oL_diceMeH4aAoINEALw_wcB#255120000000?country=US&aw_cid=418990617&aw_aid=23029474017&aw_dev=c&aw_loc=9016838&aw_key=&aw_mtype=&aw_net=g&aw_ad=89943116937)>; Jan. 31, 2020; 1 page.  
 Creative Basketball Party Ideas; Make Life Lovely; <<https://www.makelifelovely.com/creative-basketball-party-ideas/>>; Jan. 31, 2020; 20 pages.  
 Uncanny Brands NBA Popcorn Maker—Officially Licensed Basketball Shaped Hot Air Popcorn Popper Kitchen Appliance; <<https://www.overstock.com/Home-Garden/Uncanny-Brands-NBA-Popcorn-Maker-Officially-Licensed-Basketball-Shaped-Hot-Air-Popcorn-Popper-Kitchen-Appliance/29770166/product.html>>; Jan. 31, 2020, 1 page.  
 Silicone Container—Basketball (5ml); PuffPuffPassit; • <<https://puffpuffpassit.com/collections/silicone-accessories/products/silicone-basketball-container-5ml?variant=31351089037414>>; Jan. 31, 2020; 1 page.  
 10 Oz. Basketball Bowl; Whirly DrinkWorks!; <<https://www.whirlydrinkworks.com/products/general/10oz-basketball-bowl/>>; Nov. 4, 2019; 1 page.  
 Party City Ball Favor Container; Party City; <[https://www.walmart.com/ip/Party-City-Ball-Favor-Container-Party-Supplies-Plastic-6-diameter-12-Count/118651909?wmlspartner=wlpas&selectedSellerId=101003958&adid=22222222227293753572&w10=&w11=g&w12=c&w13=355821320825&w14=pla-766916333736&w15=9016838&w16=&w17=&w18=&w19=pla&w10=136959840&w11=online&w12=118651909&veh=sem&gclid=Cj0KCQIAvc\\_xBRCYARIsAC5QT9kHNsMV2YW8XMw2CZWJcmw3dk1PZdyvQSXAOPQ73ul-LOMzIZUVbVoaAs9mEALw\\_wcB#255120000000?country=US&aw\\_cid=418990617&aw\\_aid=23029474017&aw\\_dev=c&aw\\_loc=9016838&aw\\_key=&aw\\_mtype=&aw\\_net=g&aw\\_ad=89943116937](https://www.walmart.com/ip/Party-City-Ball-Favor-Container-Party-Supplies-Plastic-6-diameter-12-Count/118651909?wmlspartner=wlpas&selectedSellerId=101003958&adid=22222222227293753572&w10=&w11=g&w12=c&w13=355821320825&w14=pla-766916333736&w15=9016838&w16=&w17=&w18=&w19=pla&w10=136959840&w11=online&w12=118651909&veh=sem&gclid=Cj0KCQIAvc_xBRCYARIsAC5QT9kHNsMV2YW8XMw2CZWJcmw3dk1PZdyvQSXAOPQ73ul-LOMzIZUVbVoaAs9mEALw_wcB#255120000000?country=US&aw_cid=418990617&aw_aid=23029474017&aw_dev=c&aw_loc=9016838&aw_key=&aw_mtype=&aw_net=g&aw_ad=89943116937)>; Dec. 24, 2019; 1 page.  
 30 pcs Clear Ball Shaped Lip Balm Container 4 Colors Case of Empty Ball Lip Balm Container Cosmetic Packaging; AliExpress; <<https://www.aliexpress.com/item/32443309067.html>>; Mar. 21, 2019; 1 page.

\* cited by examiner

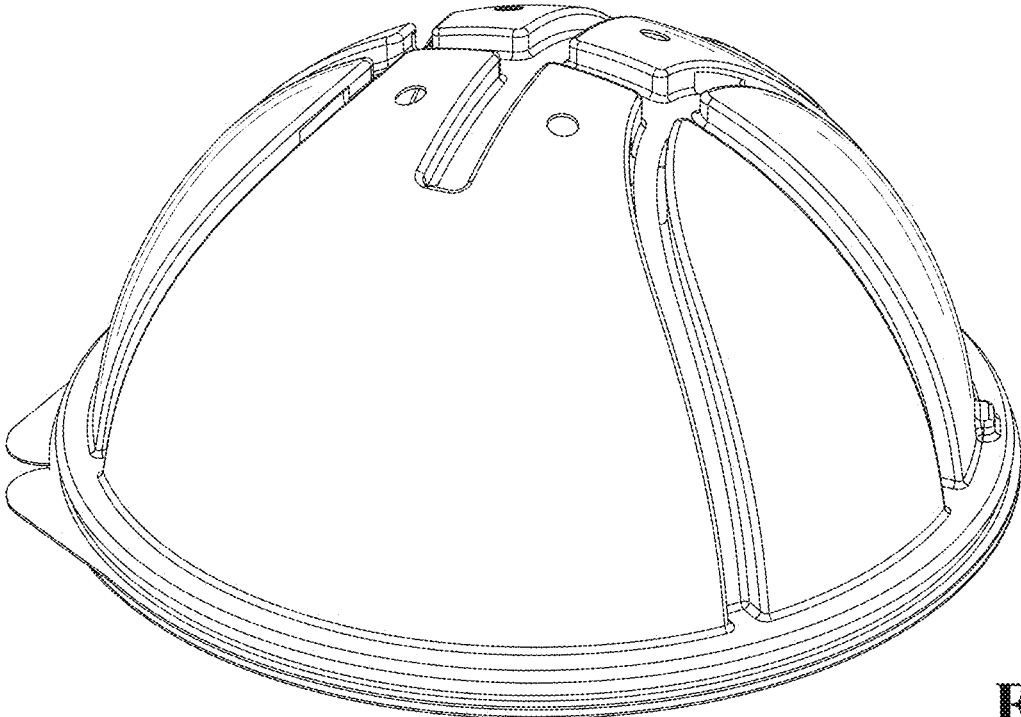


FIG. 1

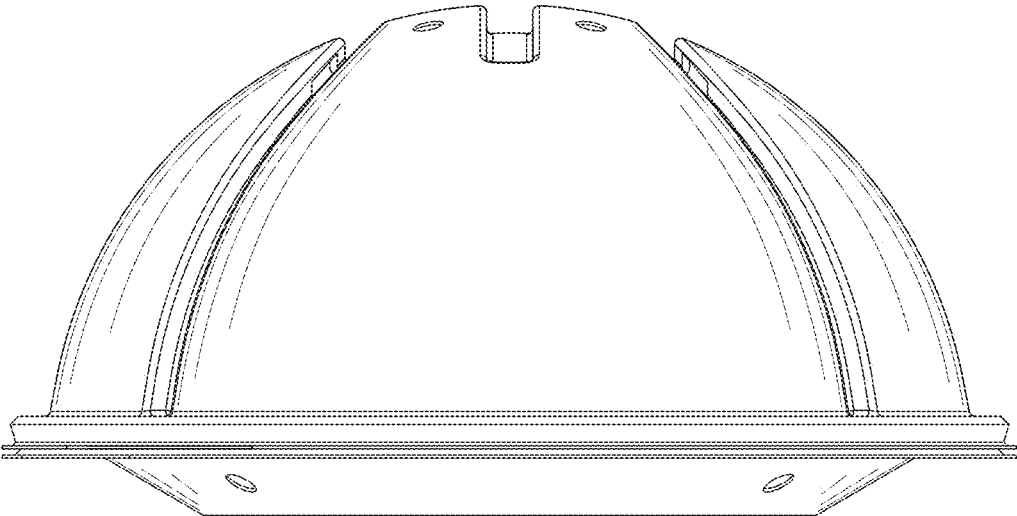


FIG. 2

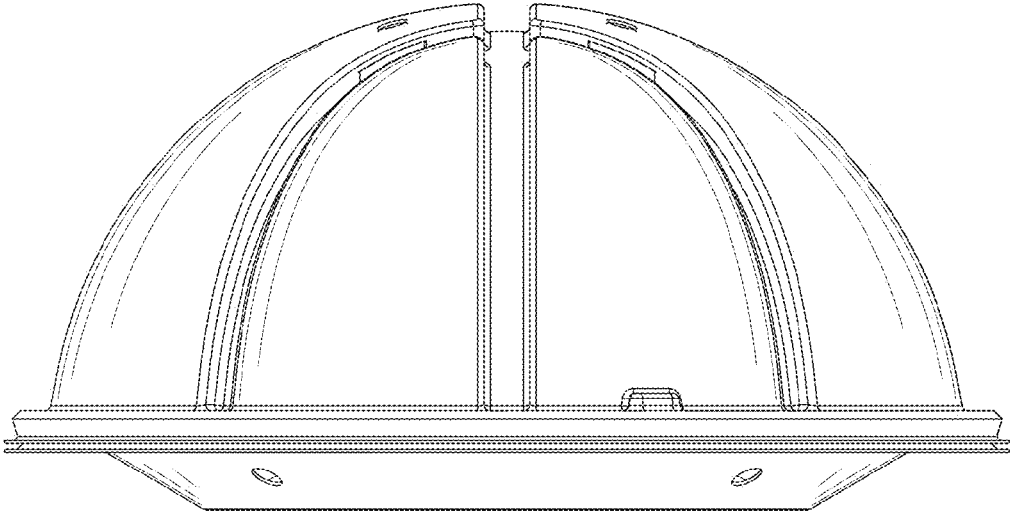


FIG. 3

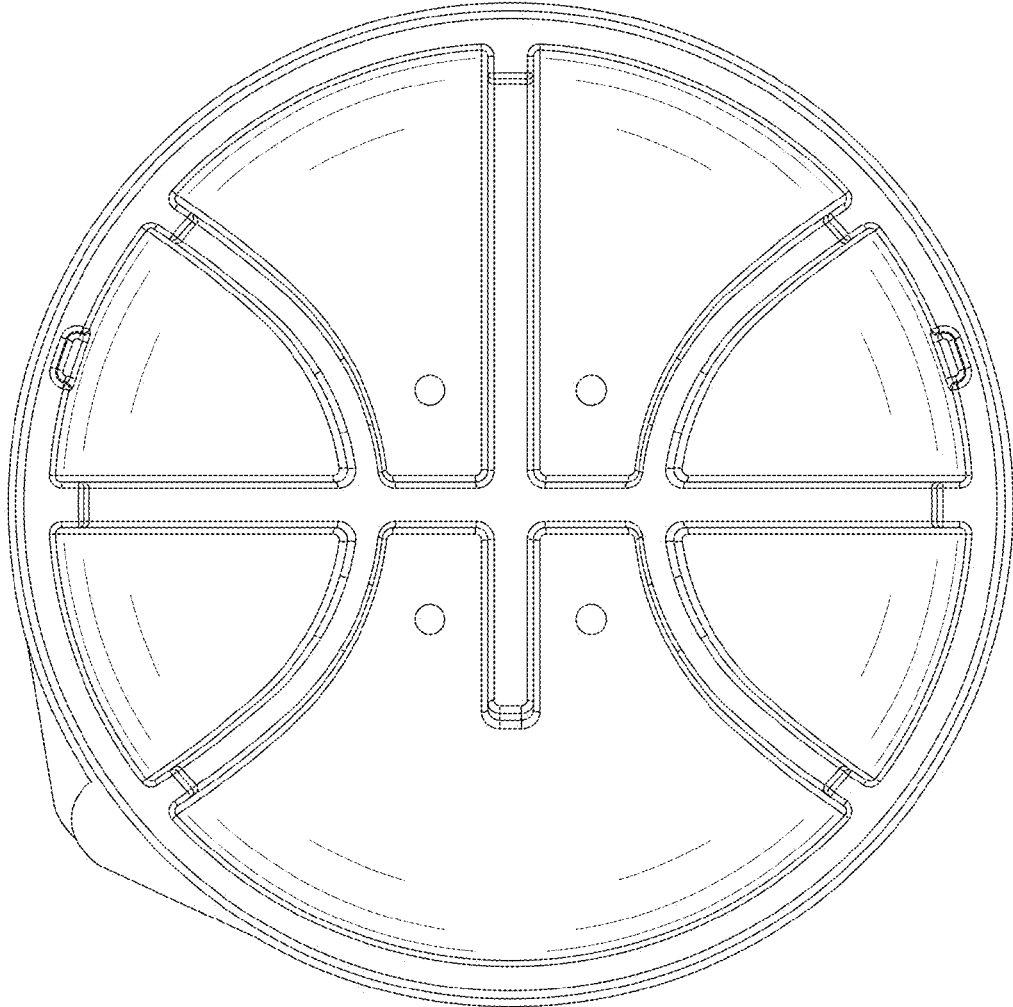


FIG. 4

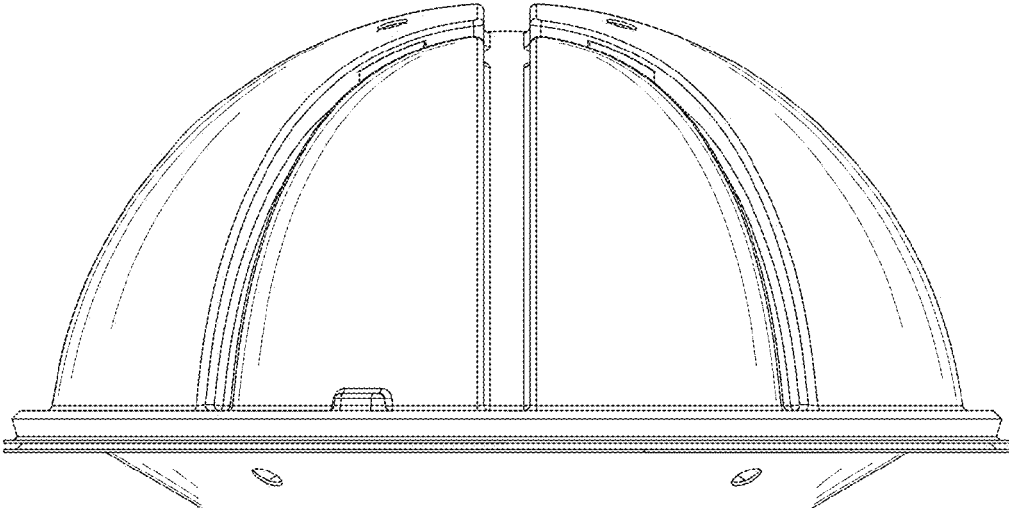


FIG. 5

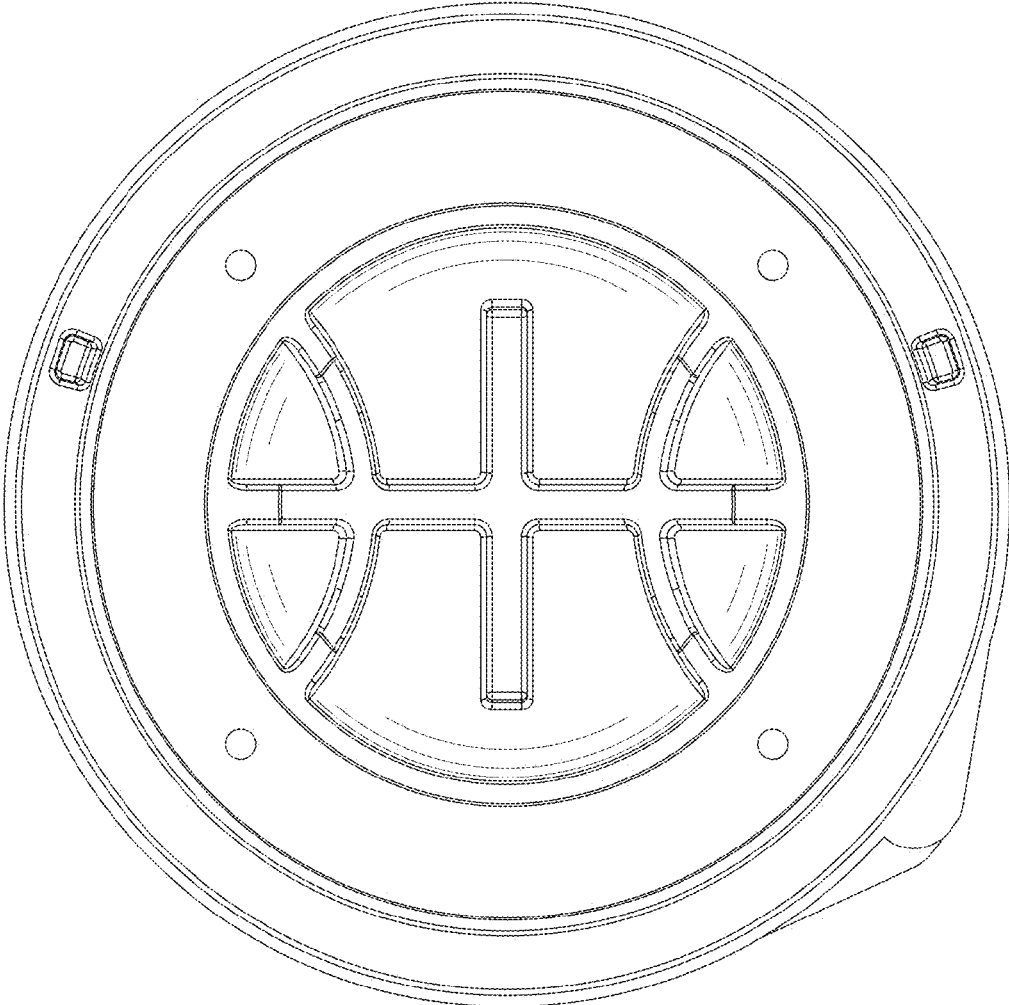


FIG. 6

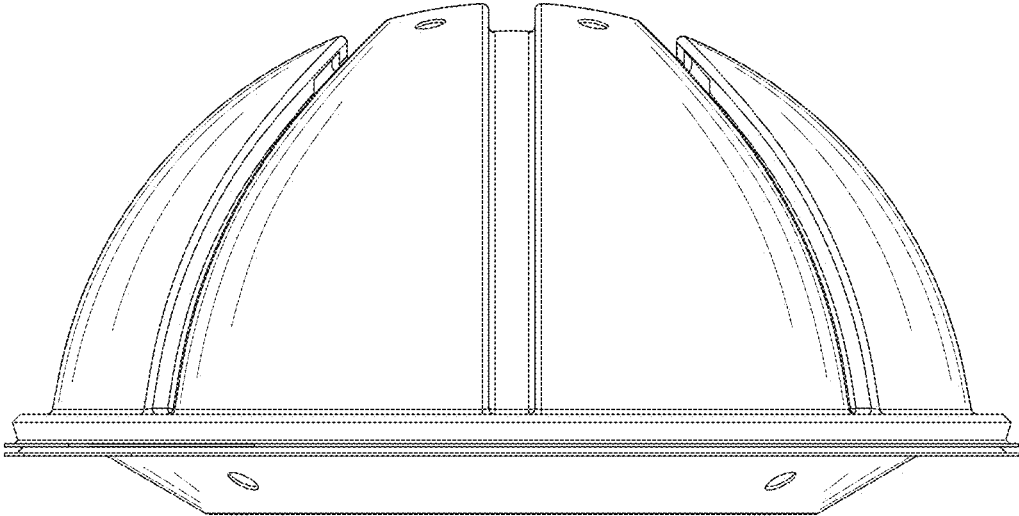


FIG. 7

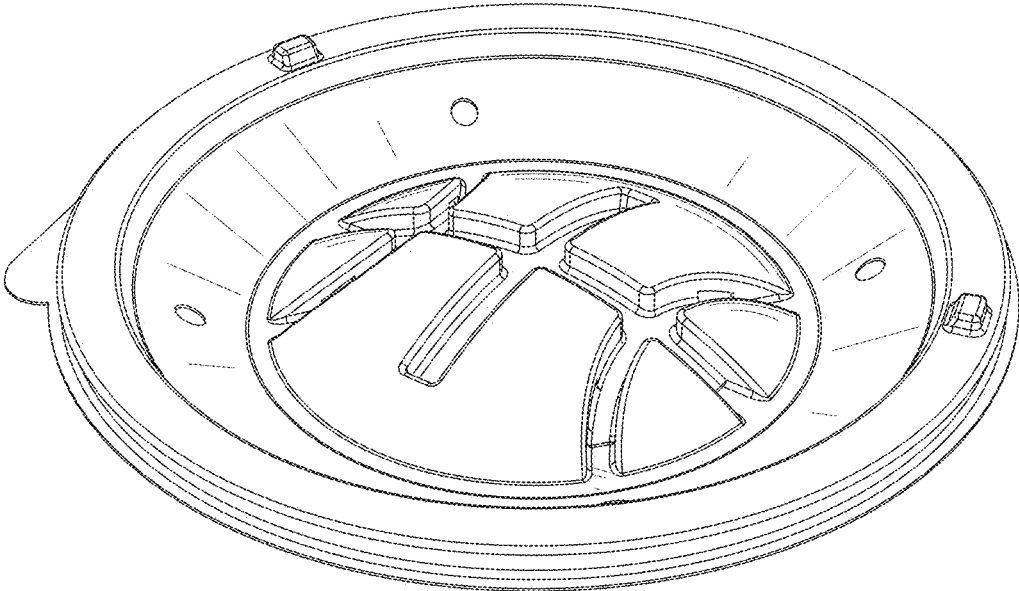


FIG. 8

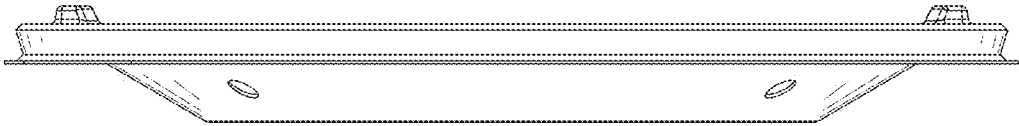


FIG. 9

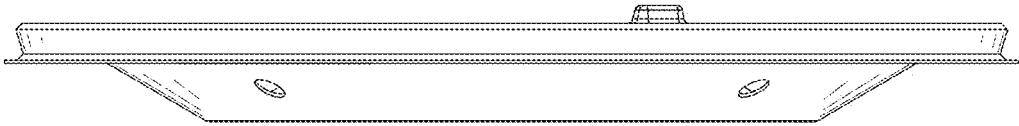
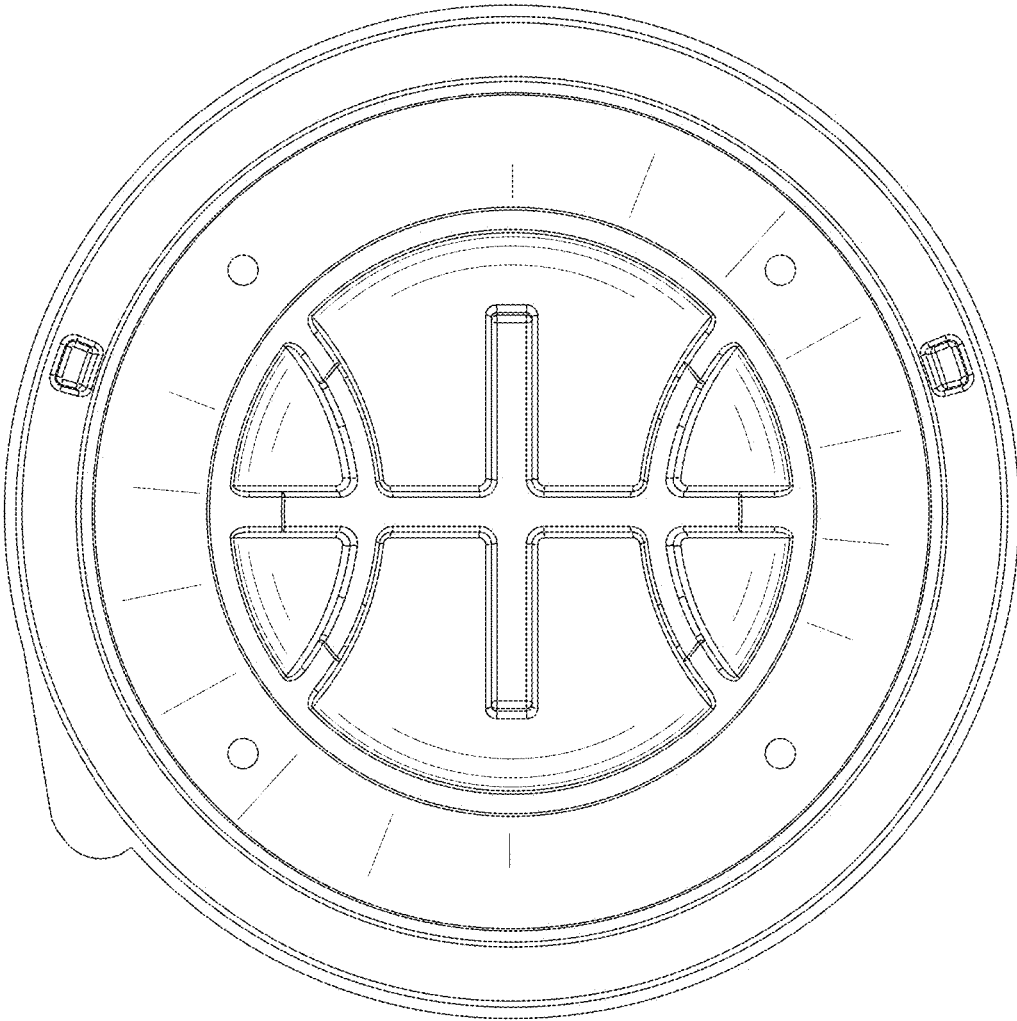
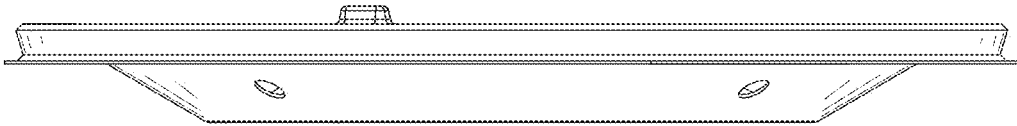


FIG. 10



**FIG. 11**



**FIG. 12**



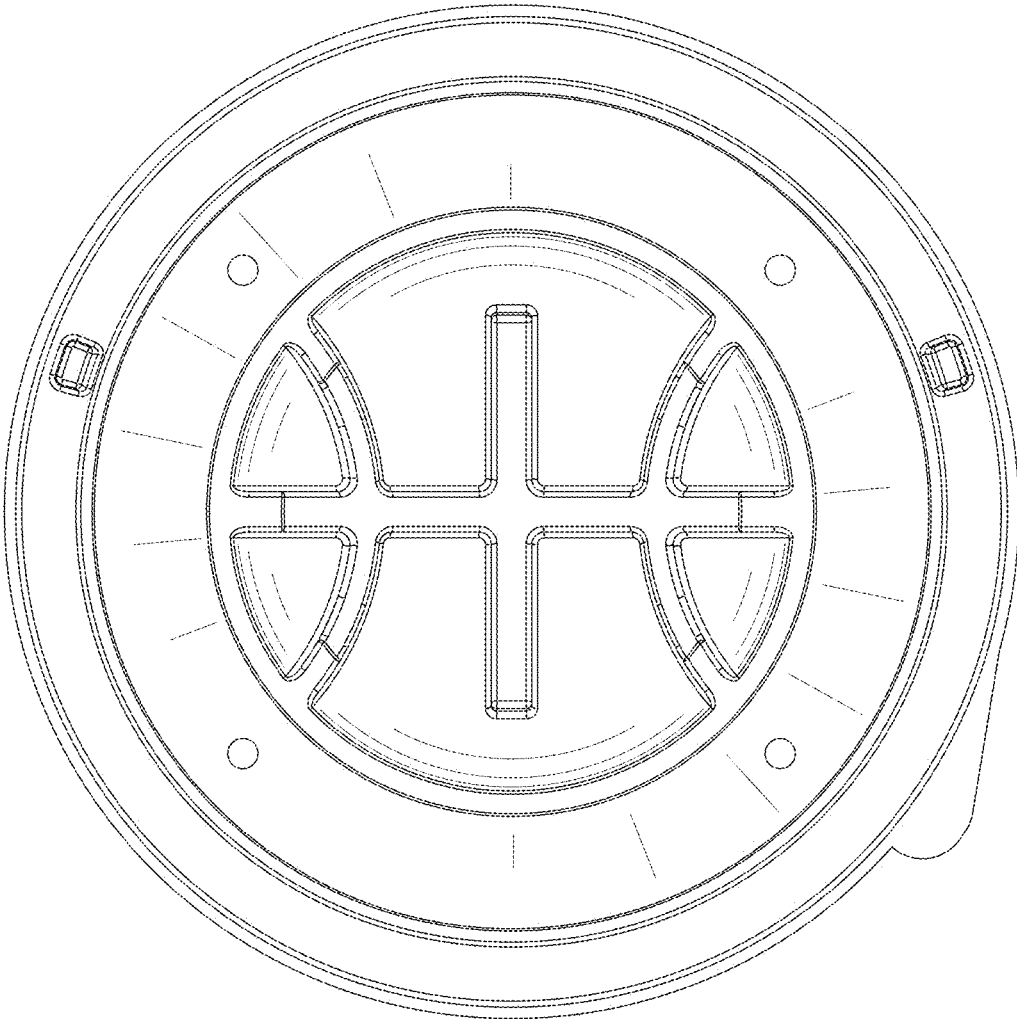


FIG. 13

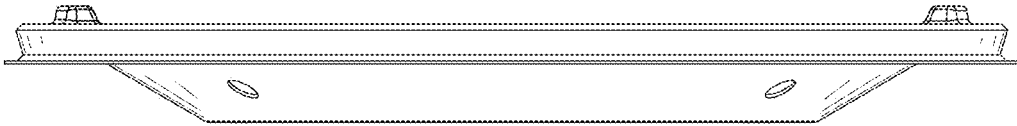


FIG. 14

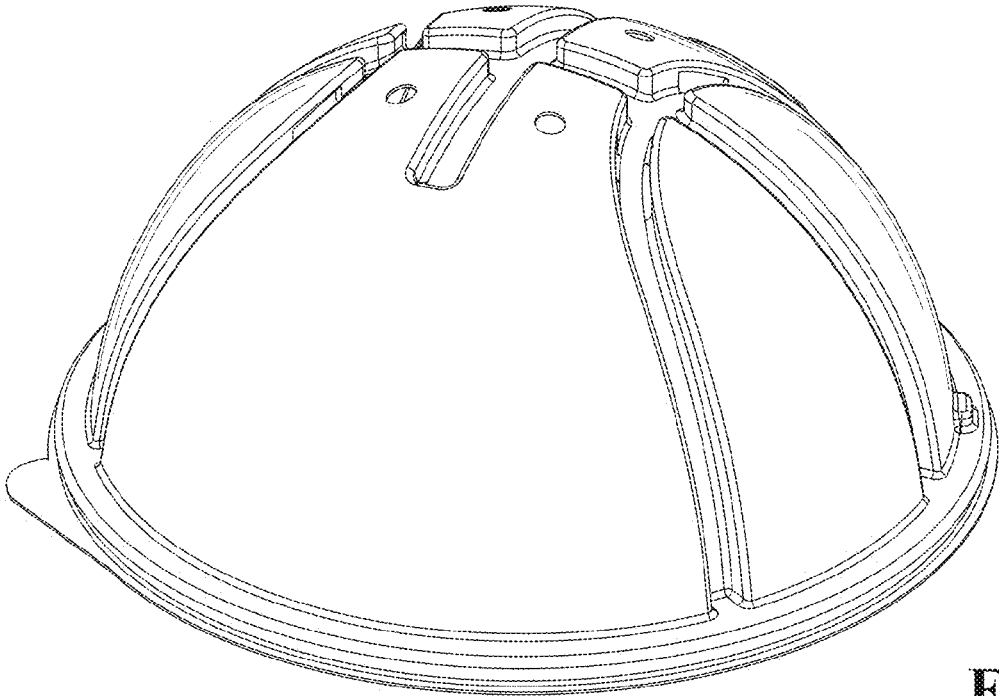


FIG. 15

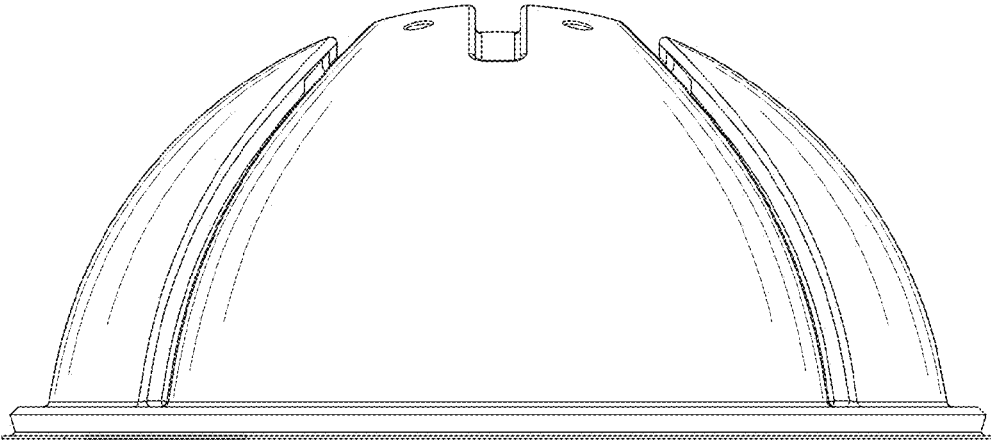


FIG. 16

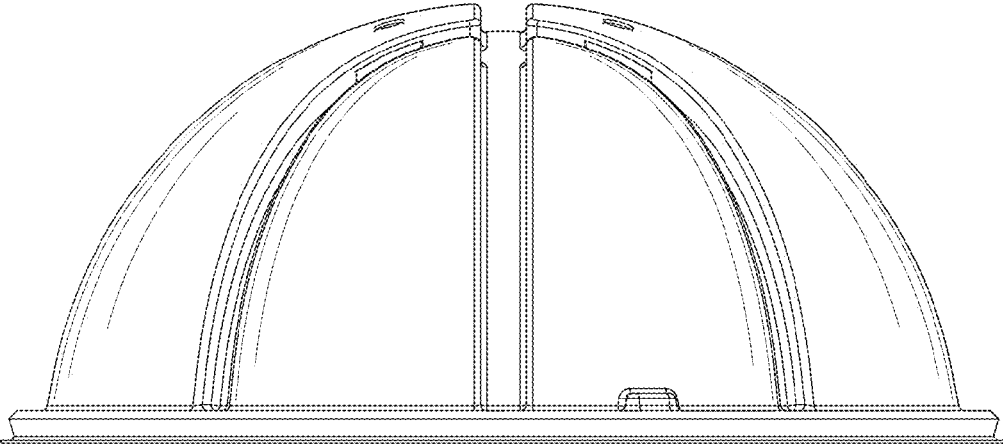


FIG. 17

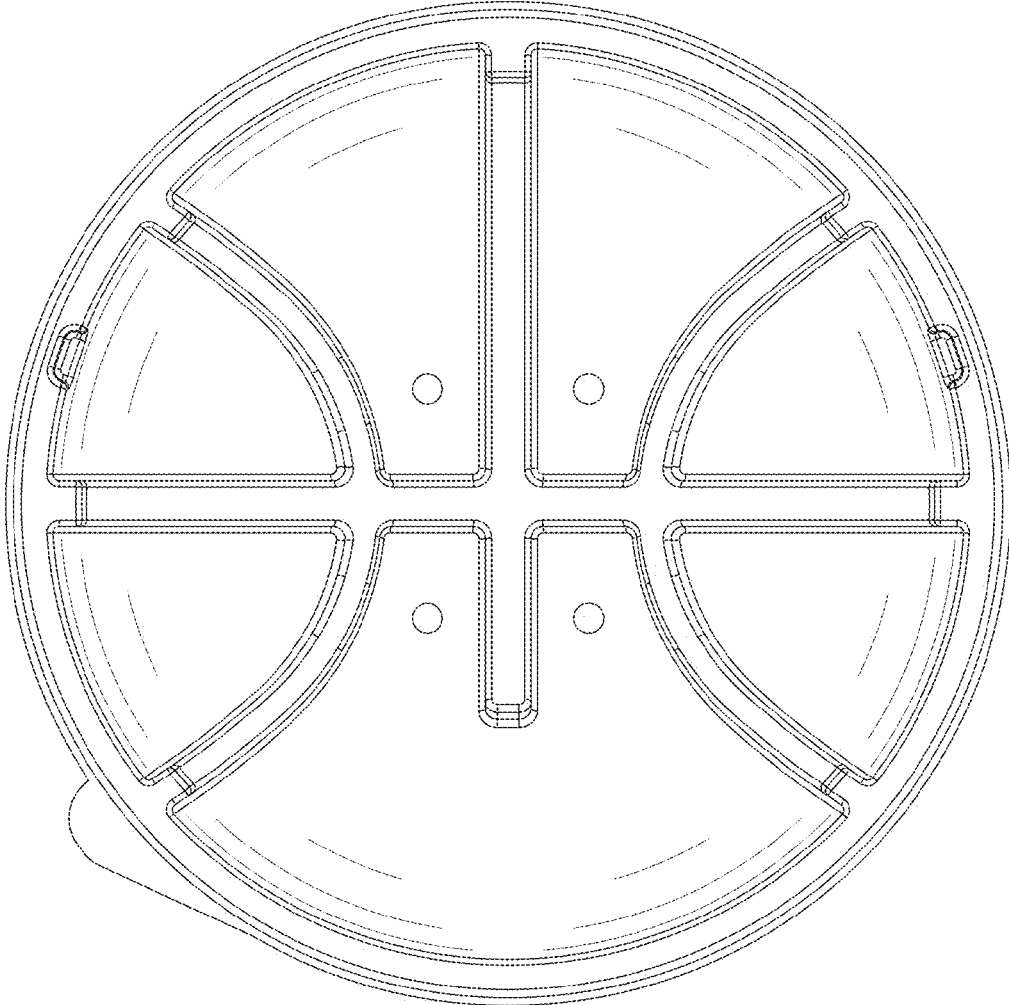


FIG. 18

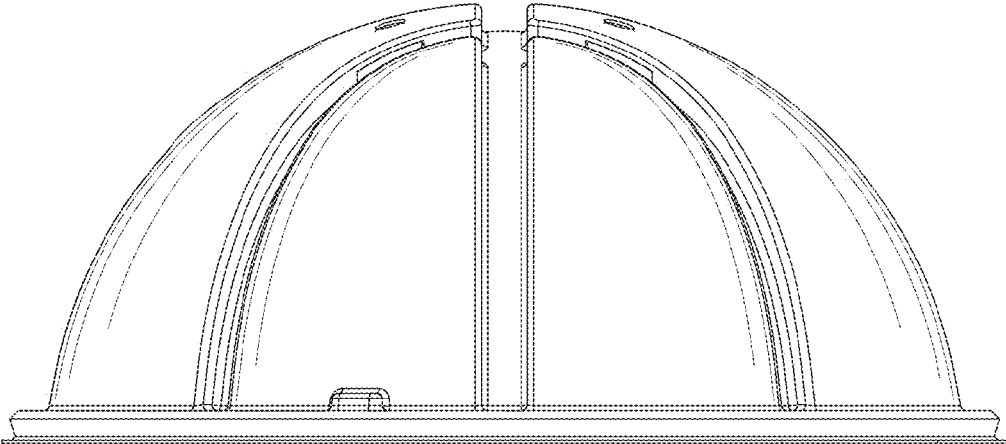


FIG. 19

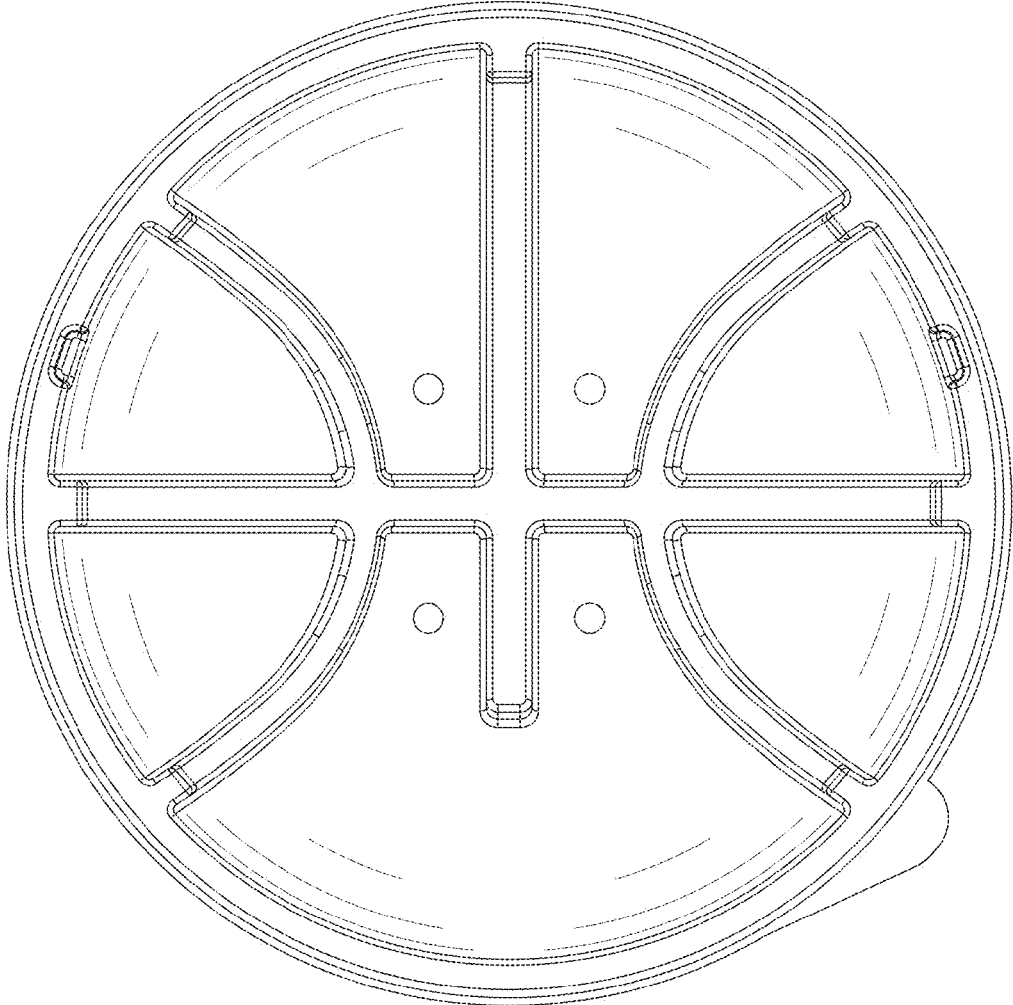


FIG. 20

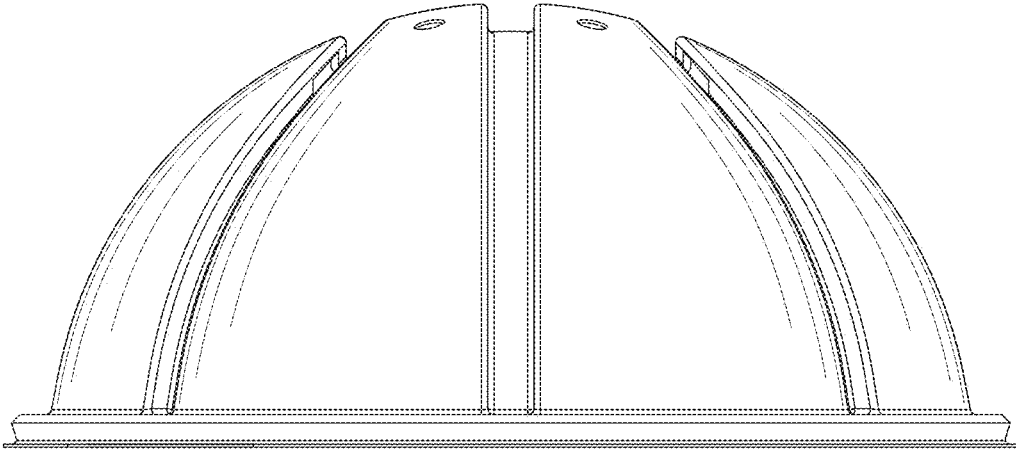


FIG. 21