



US00D746629S

(12) **United States Design Patent**  
**Ji**

(10) **Patent No.:** **US D746,629 S**

(45) **Date of Patent:** **\*\* Jan. 5, 2016**

(54) **BLENDER**

(71) Applicant: **Electrolux Appliances Aktiebolaget**,  
Stockholm (SE)

(72) Inventor: **Lei Ji**, Stockholm (SE)

(73) Assignee: **Electrolux Appliances Aktiebolag**,  
Stockholm (SE)

(\*\*) Term: **14 Years**

(21) Appl. No.: **29/485,878**

(22) Filed: **Mar. 24, 2014**

(30) **Foreign Application Priority Data**

Sep. 24, 2013 (EM) ..... 002314492

(51) **LOC (10) Cl.** ..... **31-00**

(52) **U.S. Cl.**  
USPC ..... **D7/378; D7/376; D7/384**

(58) **Field of Classification Search**

USPC ..... D7/372, 376-386, 412-413, 602, 629,  
D7/665-666, 669, 679, 693-694  
CPC ..... A21C 1/02; A21C 1/04; A23N 1/00;  
A23N 1/02; A47J 27/62; A47J 43/04; A47J  
43/25; A47J 43/27; A47J 43/042; A47J  
43/044; A47J 43/046; A47J 43/075; A47J  
43/0722; A47J 43/0727; B01F 3/00; B01F  
3/0807; B01F 3/0853; B01F 13/0059; B01F  
13/0064; B02C 1/08; B02C 2/04; B02C 4/42;  
B02C 4/142; B02C 4/143; B02C 4/423;  
B02C 13/1835; B28C 5/10; B28C 5/12;  
B28C 5/14; B28C 5/16

See application file for complete search history.

(56) **References Cited**

U.S. PATENT DOCUMENTS

D123,477 S *	11/1940	Feltman et al. ....	D7/378
D199,888 S *	12/1964	Dewenter .....	D7/378
D394,986 S *	6/1998	Lallemand .....	D7/378
D448,967 S *	10/2001	Planca et al. ....	D7/378
D453,443 S *	2/2002	Hoare et al. ....	D7/378
D466,362 S *	12/2002	Moore .....	D7/378
D466,759 S *	12/2002	Moore .....	D7/378
D479,666 S *	9/2003	Barker .....	D7/378
D543,072 S *	5/2007	Ting et al. ....	D7/378
D556,505 S *	12/2007	Wu .....	D7/378
D613,547 S *	4/2010	Day et al. ....	D7/378
D669,304 S *	10/2012	Bock et al. ....	D7/378
2006/0043088 A1 *	3/2006	Ancona et al. ....	219/720

\* cited by examiner

*Primary Examiner* — Ricky Pham

(74) *Attorney, Agent, or Firm* — Banner & Witcoff, Ltd.

(57) **CLAIM**

The ornamental design for a blender, as shown and described.

**DESCRIPTION**

FIG. 1 is a front perspective view of a blender showing my new design;

FIG. 2 is a top plan view thereof;

FIG. 3 is a front view thereof;

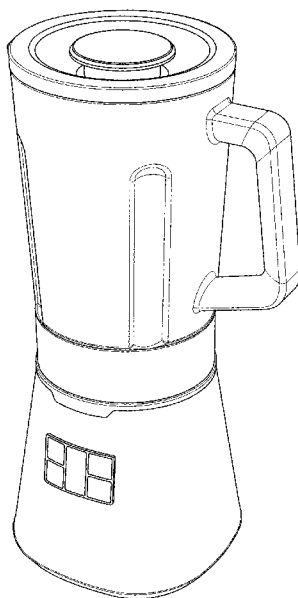
FIG. 4 is a right side view thereof;

FIG. 5 is a left side view thereof; and,

FIG. 6 is a rear view thereof.

The broken line showing of the bottom portion of the blender is for illustrative purposes only and forms no part of the claimed design.

**1 Claim, 6 Drawing Sheets**



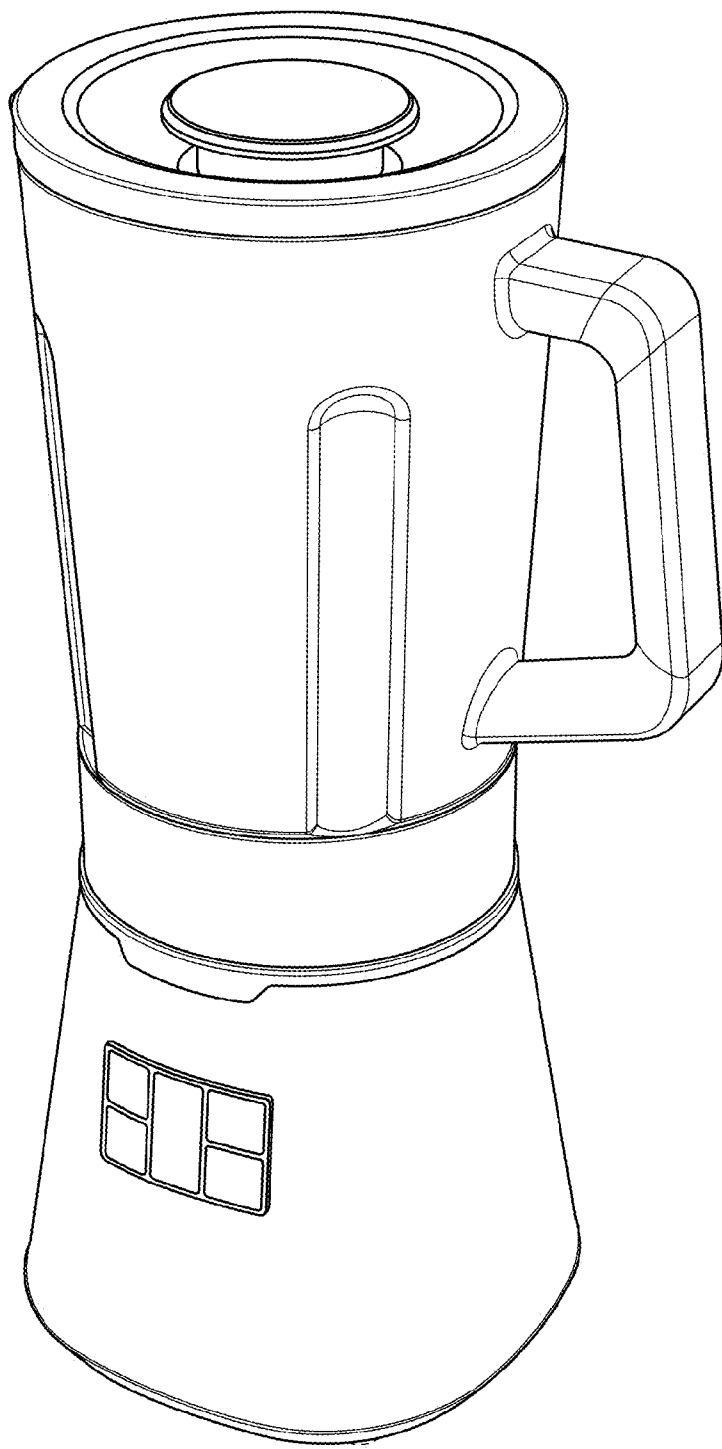


FIG. 1

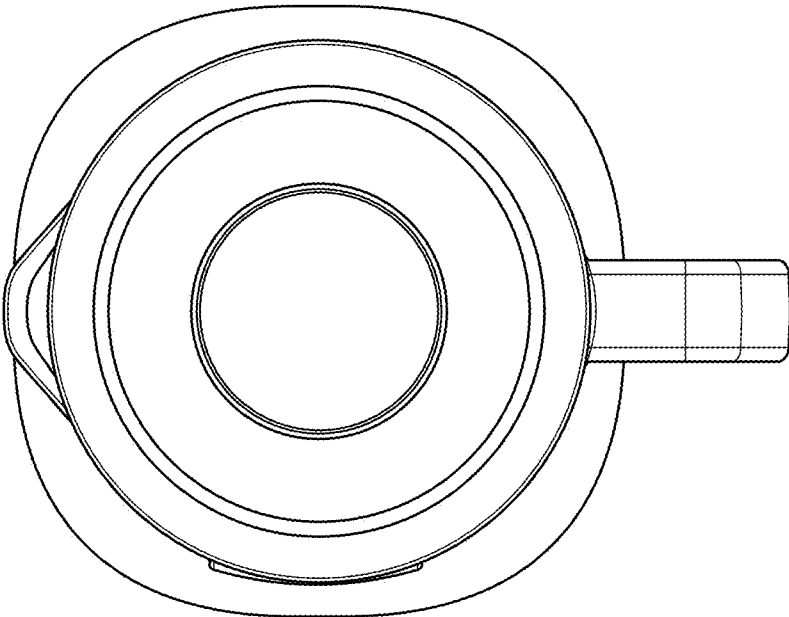


FIG. 2

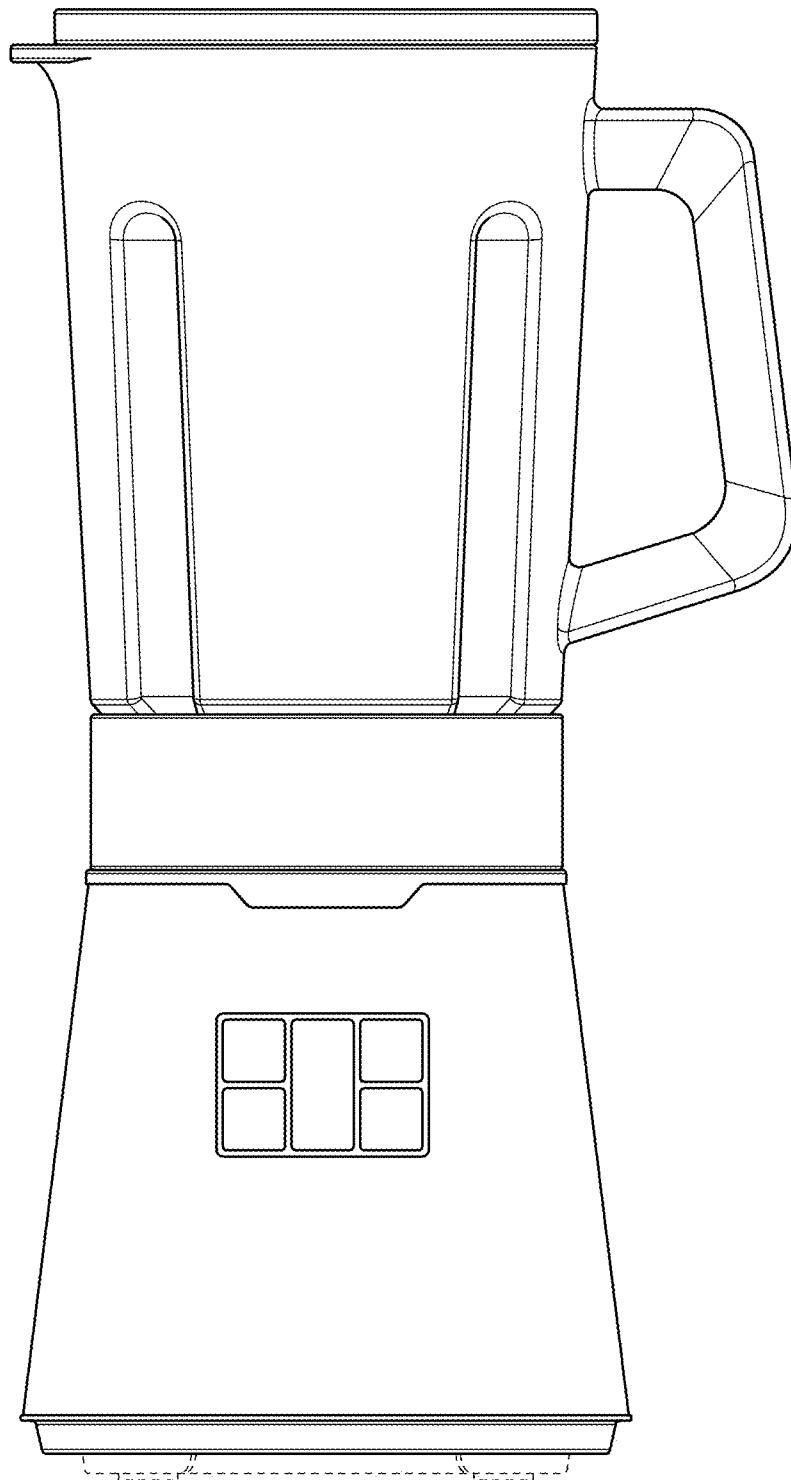


FIG. 3

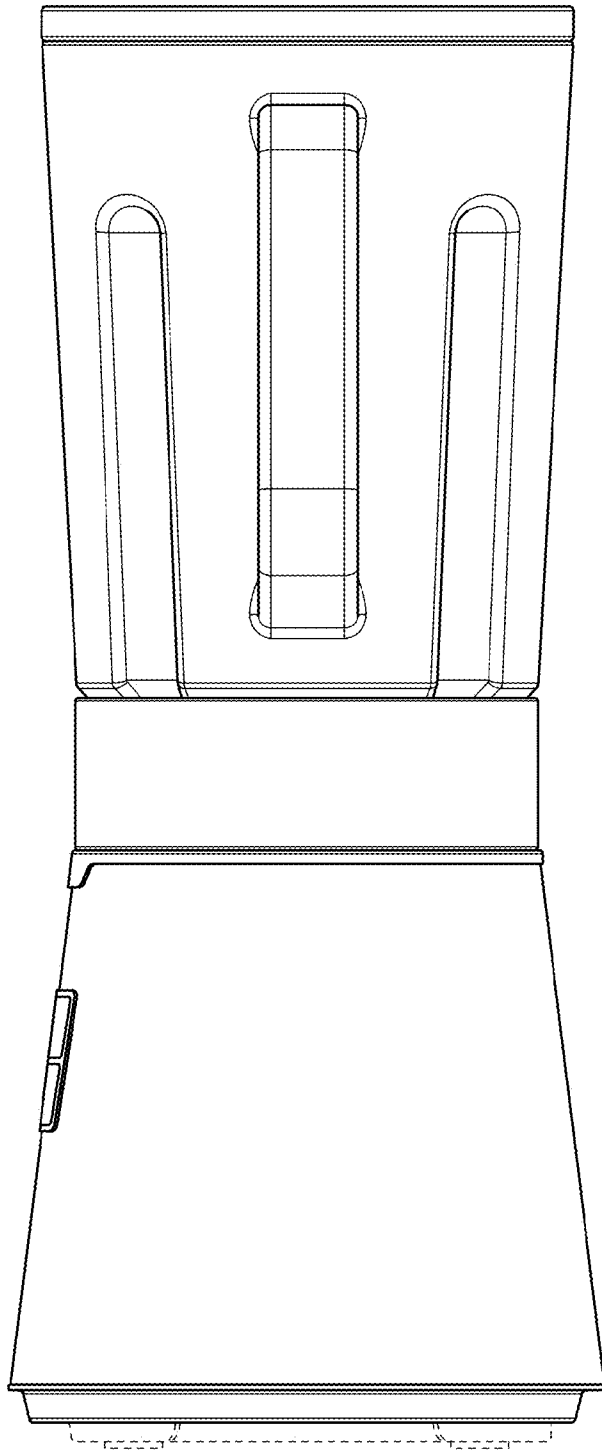


FIG. 4

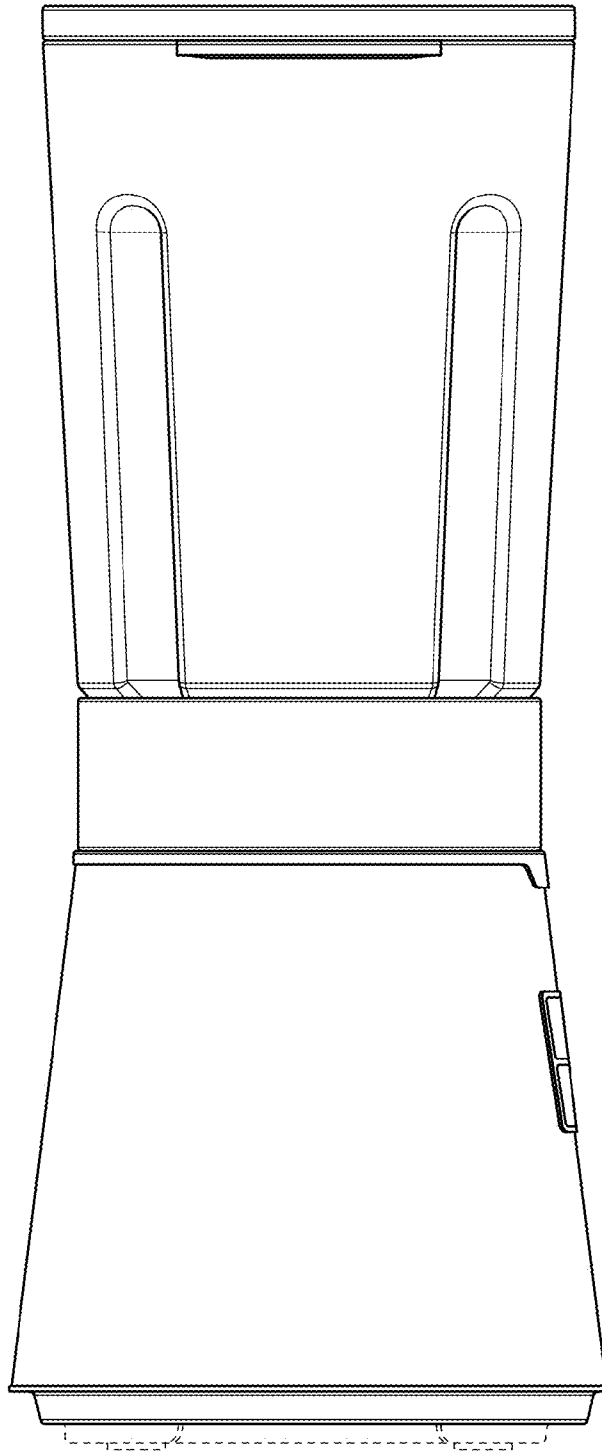


FIG. 5

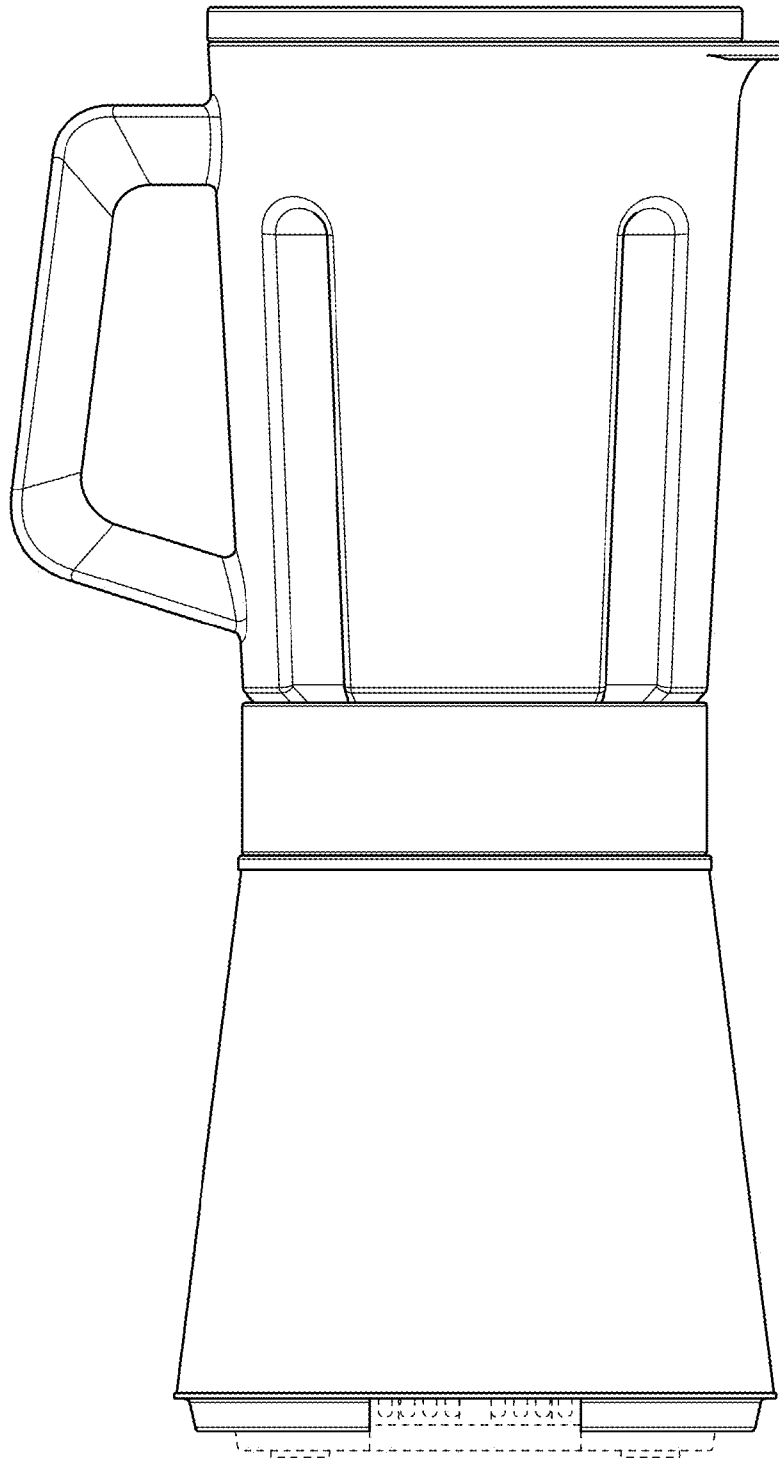


FIG. 6