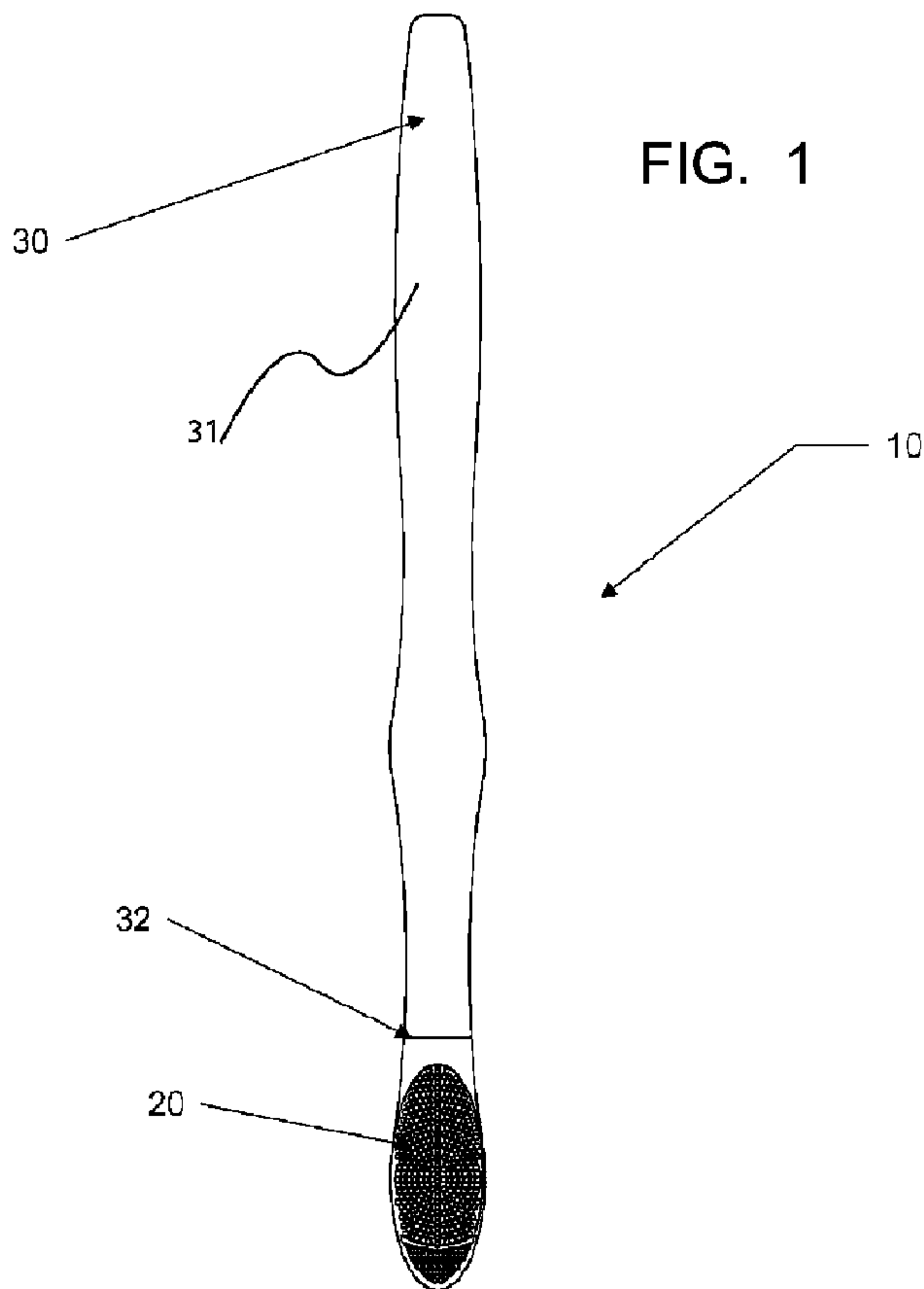




(86) Date de dépôt PCT/PCT Filing Date: 2012/04/10
 (87) Date publication PCT/PCT Publication Date: 2012/10/26
 (85) Entrée phase nationale/National Entry: 2013/10/18
 (86) N° demande PCT/PCT Application No.: US 2012/032943
 (87) N° publication PCT/PCT Publication No.: 2012/145199
 (30) Priorité/Priority: 2011/04/20 (US13/091,063)

(51) Cl.Int./Int.Cl. *A46B 9/04* (2006.01),
A46B 13/02 (2006.01), *A46B 7/00* (2006.01)
 (71) Demandeur/Applicant:
GRUBER, LLC, US
 (72) Inventeurs/Inventors:
GRUBER, JACK, US;
KOZLOSKI, EDWARD, US
 (74) Agent: OSLER, HOSKIN & HARCOURT LLP

(54) Titre : DISPOSITIF DE NETTOYAGE DES DENTS
 (54) Title: DENTAL CLEANING DEVICE



(57) **Abrégé/Abstract:**

A tooth cleaning device comprising a handle, and a pad coupled to the handle, wherein the pad has a front face, a back face and a plurality of side walls. There are a plurality of different areas disposed on the front face of the pad comprising a first area comprising



(57) **Abrégé(suite)/Abstract(continued):**

a first set of protrusions, in a substantially semi-spherical shape, and a second area comprising a second set of protrusions in a substantially conical shape. There is also a third area of protrusions formed as a substantially conical shape, and a fourth area of protrusions formed as a substantially semi-spherical shape. The device can be formed as a pad which collapses voluntarily under pressure. The pad can be made from any suitable material such as any type of rubber or plastic.

(12) INTERNATIONAL APPLICATION PUBLISHED UNDER THE PATENT COOPERATION TREATY (PCT)

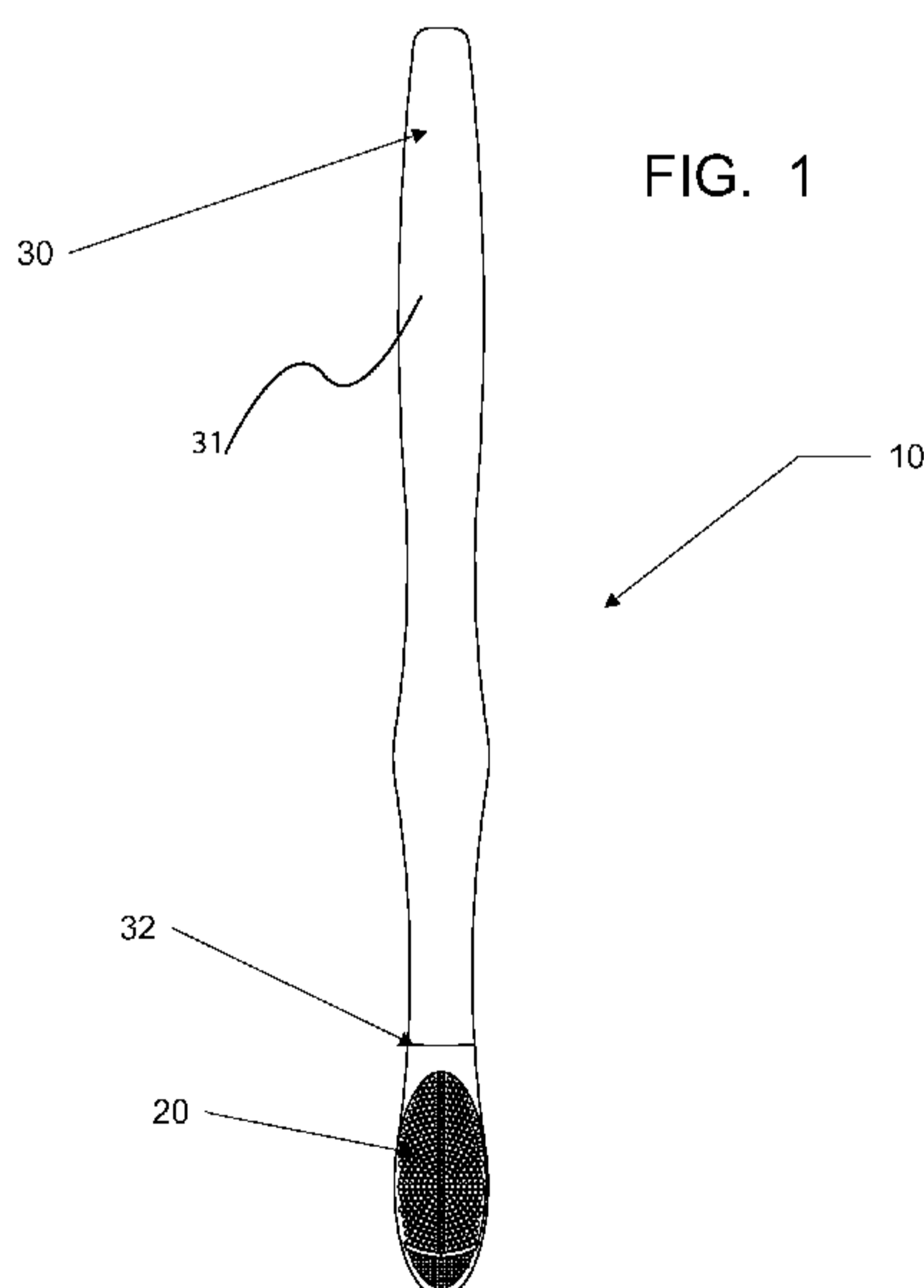
(19) World Intellectual Property
Organization
International Bureau

WIPO | PCT

(10) International Publication Number
WO 2012/145199 A3(43) International Publication Date
26 October 2012 (26.10.2012)

- (51) **International Patent Classification:**
A46B 9/04 (2006.01) A46B 7/00 (2006.01)
A46B 13/02 (2006.01)
- (21) **International Application Number:**
PCT/US2012/032943
- (22) **International Filing Date:**
10 April 2012 (10.04.2012)
- (25) **Filing Language:** English
- (26) **Publication Language:** English
- (30) **Priority Data:**
13/091,063 20 April 2011 (20.04.2011) US
- (71) **Applicant (for all designated States except US):**
GRUBER, LLC [US/US]; 54 Old Pond Road, Great Neck, US 11023 (US).
- (72) **Inventors; and**
- (75) **Inventors/Applicants (for US only):** **GRUBER, Jack** [US/US]; 54 Old Pond Road, Great Neck, New York 11023 (US). **KOZLOSKI, Edward** [US/US]; 131 Light-house Road, Babylon, New York 11702 (US).
- (74) **Agents:** **COLLARD & ROE, P.C.** et al.; 1077 Northern Blvd, Roslyn, New York 11576 (US).
- (81) **Designated States (unless otherwise indicated, for every kind of national protection available):** AE, AG, AL, AM, AO, AT, AU, AZ, BA, BB, BG, BH, BR, BW, BY, BZ, CA, CH, CL, CN, CO, CR, CU, CZ, DE, DK, DM, DO, DZ, EC, EE, EG, ES, FI, GB, GD, GE, GH, GM, GT, HN, HR, HU, ID, IL, IN, IS, JP, KE, KG, KM, KN, KP, KR, KZ, LA, LC, LK, LR, LS, LT, LU, LY, MA, MD, ME, MG, MK, MN, MW, MX, MY, MZ, NA, NG, NI, NO, NZ, OM, PE, PG, PH, PL, PT, QA, RO, RS, RU, RW, SC, SD, SE, SG, SK, SL, SM, ST, SV, SY, TH, TJ, TM, TN, TR, TT, TZ, UA, UG, US, UZ, VC, VN, ZA, ZM, ZW.
- (84) **Designated States (unless otherwise indicated, for every kind of regional protection available):** ARIPO (BW, GH, GM, KE, LR, LS, MW, MZ, NA, RW, SD, SL, SZ, TZ, UG, ZM, ZW), Eurasian (AM, AZ, BY, KG, KZ, MD, RU, TJ, TM), European (AL, AT, BE, BG, CH, CY, CZ, DE, DK, EE, ES, FI, FR, GB, GR, HR, HU, IE, IS, IT, LT, LU, LV, MC, MK, MT, NL, NO, PL, PT, RO, RS, SE, SI, SK, SM, TR), OAPI (BF, BJ, CF, CG, CI, CM, GA, GN, GQ, GW, ML, MR, NE, SN, TD, TG).
- Published:**
— with international search report (Art. 21(3))
- (88) **Date of publication of the international search report:**
10 January 2013

(54) Title: DENTAL CLEANING DEVICE



(57) **Abstract:** A tooth cleaning device comprising a handle, and a pad coupled to the handle, wherein the pad has a front face, a back face and a plurality of side walls. There are a plurality of different areas disposed on the front face of the pad comprising a first area comprising a first set of protrusions, in a substantially semi-spherical shape, and a second area comprising a second set of protrusions in a substantially conical shape. There is also a third area of protrusions formed as a substantially conical shape, and a fourth area of protrusions formed as a substantially semi-spherical shape. The device can be formed as a pad which collapses voluntarily under pressure. The pad can be made from any suitable material such as any type of rubber or plastic.

WO 2012/145199 A3

1
2
3
4
5
6
7
8
9
10
11
12
13
14
15
16
17
18
19
20
21

TITLE

DENTAL CLEANING DEVICE

CROSS REFERENCE TO RELATED APPLICATIONS

This application is a continuation in part application of U.S. Patent Application Serial No. 13/091063 filed on April 20, 2011, the disclosure of which is hereby incorporated herein by reference.

BACKGROUND OF THE INVENTION

The invention relates to a tooth cleaning device which is configured to clean teeth without using standard bristles of a toothbrush.

It is well known that dental plaque is the major cause of periodontal disease. Broadly, plaque consists of an adhesive mass of bacteria, mucins, food and other organic matter which, if present for long enough on the teeth, calcifies to form calculus. Consequently, it is appreciated that the effective and complete removal of plaque is essential to the maintenance of good oral hygiene.

The removal of plaque from the oral tissues at an early stage of its development may be achieved by brushing. However, if calcification occurs, then the resultant calculus may only be removed by vigorous mechanical action, usually performed by a dentist. It is therefore important to ensure plaque removal before calcification occurs.

Devices have been developed for clearing the food particles and bacteria from the mouth and teeth. The most well-known and commonly used devices are toothbrushes with bristles that are moved across the teeth to remove food residue and plaque from the enamel

1 surface, as well as larger food particles trapped in between teeth. Toothpicks and dental
2 floss are also frequently used to extract smaller food particles that become trapped between
3 teeth.

4 However, brushing of teeth with a standard toothbrush can be harmful and can
5 cause the removal of not just plaque but also the enamel on teeth.

6 Therefore, it is believed that there is a need for a device configured to clean teeth
7 which does not include bristles which can strip away plaque on teeth while still cleaning
8 these teeth sufficiently without removing essential enamel.

9 SUMMARY OF THE INVENTION

10 At least one embodiment of the invention relates to a tooth cleaning device. The
11 device can comprise a handle, a pad having a base section coupled to the handle, and
12 wherein the base section has a front face and a back face. There are a plurality of different
13 areas disposed on the front face of the base section. There is a first area comprising a first
14 set of protrusions, and a second area comprising a second set of protrusions, wherein the
15 first set of protrusions are different in shape from the second set of protrusions. In at least
16 one embodiment, the first set of protrusions are semi-spherical protrusions, while the
17 second set of protrusions comprise conical protrusions.

18 BRIEF DESCRIPTION OF THE DRAWINGS

19 Other objects and features of the present invention will become apparent from the
20 following detailed description considered in connection with the accompanying drawings.
21 It should be understood, however, that the drawings are designed for the purpose of

1 illustration only and not as a definition of the limits of the invention.

2 In the drawings, wherein similar reference characters denote similar elements
3 throughout the several views:

4 FIG. 1 is a top, plan view of the device having a pad for cleaning teeth;

5 FIG. 2 is a side perspective view of the device showing the pad;

6 FIG. 3 is a back view of the device showing the back surface of the handle;

7 FIG. 4 is a back-perspective view of the handle showing contour lines;

8 FIG. 5A is a back view of the handle;

9 FIG. 5B is a side cross-sectional view of the device;

10 FIG. 5C is a front view of the device;

11 FIG. 6 is a front view of the pad;

12 FIG. 7 is a side perspective view of the pad;

13 FIG. 8A is a side view of the pad;

14 FIG. 8B is a side view of another embodiment of the pad;

15 FIG. 9A is a back perspective view of another embodiment of a pad;

16 FIG. 9B is a back perspective view of another embodiment of a pad;

17 FIG. 9C is a back view of another embodiment of a pad;

18 FIG. 10A is a front perspective view of one embodiment of a handle;

19 FIG. 10B is a side view of the handle of FIG. 10A;

20 FIG. 11 is a perspective view of an embodiment shown by way of example in FIG.

21 5B;

1 FIG. 12 is a side view of the handle and head as shown in FIG. 11;
2 FIG. 13 is a side perspective view of the head shown in FIG. 12;
3 FIG. 14A is an end view of the handle;
4 FIG. 14B is a side cross-sectional view taken along the line A-A shown in FIG.
5 14A;
6 FIG. 15A is an end cross-sectional view of a handle head;
7 FIG. 15B is a top view of the handle head shown in FIG. 15A;
8 FIG. 15C is an end cross-sectional view of another embodiment of a pad for use
9 with the handle head of FIGS. 15A, and 15B;
10 FIG. 15D is a back or inside view of the pad of FIG. 15C;
11 FIG. 16A is a side, perspective view of another embodiment;
12 FIG. 16B is an end view of the embodiment shown in FIG. 16A.
13 FIGS. 17A-17H show another embodiment of another pad;
14 FIGS. 18A-18G show another embodiment of another handle; and
15 FIGS 19A-19G show another embodiment of a combination pad and handle
16 device.

17 DETAILED DESCRIPTION OF PREFERRED EMBODIMENTS

18 Referring in detail to the drawings, FIG. 1 is a top, plan view of the device 10
19 having a pad for cleaning teeth. This device 10 includes a handle 30 having a body section
20 31 and a head section 32 forming a handle head. Coupled to head section 32 is a pad 20.
21 Pad 20 is configured as a pad for cleaning teeth, while handle 30 is configured to allow a

1 user to hold the handle.

2 These features are also shown in FIGS. 2-4 as well. FIG. 2 shows a side
3 perspective view of the device shown in FIG. 1. In this view, this embodiment includes an
4 axis 30i which extends along the longitudinal axis of handle 30. Accordingly, a user can
5 grab handle 30, press pad 20 against his or her teeth and use the handle as leverage (if
6 necessary) to press the pad towards the teeth to clean the teeth.

7 In addition, there is an additional axis 20i which extends substantially
8 perpendicularly to longitudinal axis 30i. This additional axis forms the axis of extension of
9 head 32 which extends out from handle 30. FIG. 3 shows a back perspective view of this
10 design showing handle 30, head section 32 and a pad or cleaning head 20. FIG. 4 shows a
11 back perspective view of a set of line drawings which are shown as contour lines for handle
12 30 and pad 20 as well.

13 FIGS. 5A, 5B and 5C show a back view, a cross-sectional view and a front plan
14 view of the device as well.

15 For example, FIG. 5A shows a back view of a handle which shows different
16 contours and/or different widths of the handle. For example, the handle can be of a first
17 width 30p, which then narrows to a second width 30q. Moving along the handle from the
18 head to the tail, the handle then widens out at width 30r, and then narrows again at width
19 30s, only to widen again at width 30t and then narrow again at width 30v. These widths
20 are measured along lines extending substantially perpendicular to longitudinal axis 30i.

21 Handle 30 therefore has a wider section of head 32 and the remaining extension of

1 handle 30 is that of an undulating width to allow a user to grip the handle better.

2 With this design as shown in FIG. 5B, there is a cross-sectional view showing
3 handle section 30 with head section 32A connecting to pad 20. The connection of pad 20
4 to head section 32A of handle 30 creates a gap 33 which is configured to provide a relief
5 opening for allowing pad 20 to collapse. Pad 20 can be made of any suitable flexible
6 material including but not limited to rubber, plastic, composites, etc. Gap 33 which forms
7 a gap between a back, inner surface of pad 20 and handle head 32A, allows pad 20 to
8 collapse into handle head 32 thereby providing some "give" or release to pad 20 if pad 20 is
9 pressed too hard against a user's teeth.

10 FIG. 5C is a front view of the device which includes pad 20 handle 30 and handle
11 head 32. Pad 20 can be coupled to handle 30 or handle head 32 in any known manner but
12 in this example is coupled to handle head 32a via a friction fit and via an adhesive which
13 couples the pad into the channel formed in the handle head (see for example pad 20a in
14 FIG. 9A and channels 37a and 324 shown in FIGS. 12 and 15A).

15 FIG. 6 is a front, plan view of the pad 20 which contains a base section 23 having a
16 plurality of different areas disposed thereon. A first area 22 on pad 20 can contain
17 protrusions which are of any shape but in this case contains protrusions that are
18 substantially semi-spherical in shape. Second section 24 is spaced opposite first section 22
19 and also includes protrusions as well. This section includes protrusions that can be of any
20 suitable shape but in this case are semi-spherical in shape as well. Next, there is a third
21 section 26 which can include protrusions which are of any suitable shape but which in this

1 example are substantially conical in shape. Next, a fourth section 28 includes a plurality of
2 protrusions which can be of any shape but which in this case are substantially conical in
3 shape.

4 A fifth section 29 includes a gap which is a dividing opening between the third
5 section 26 and the first 22, second 24 and fourth 28 sections. This fifth section 29 forms a
6 relief or channel on pad 20 which allows the pad to collapse into the gap or opening 33
7 shown in FIG. 5B. Each of the protrusions can be formed separate or integral with the
8 base. Therefore, with an integrally formed pad, the base section and protrusions 22a, 24a,
9 26a, and 28a, can be formed integral with the base section including side walls 21.

10 FIG. 7 shows a perspective view of pad 20 which also shows the depth of pad 20
11 including side walls 21, semi-spherical protrusions 22a and 24a disposed in areas 22 and
12 24, as well as conical protrusions 26a disposed in section 26. With this design, reference
13 numeral 24a denotes the semi-spherical protrusions of area 24, while reference numeral
14 26a denotes the conical protrusions of area 26. There is also shown an additional
15 indentation or channel 27 which is formed in pad 20 and which is configured to receive
16 conical protrusions 28a in area 28. The differently shaped protrusions are configured so as
17 to provide different surfaces from which to polish or clean teeth. For example, semi-
18 spherical protrusions 24a are primarily configured to slide over teeth to provide a non-
19 destructive cleaning surface for teeth. Alternatively, conical protrusions 26a and 28a are
20 configured to provide some access between teeth to clean between two teeth and into the
21 gums of a user. As shown in this view, side wall 21 provides an elevated side surface

1 which is configured to space this cleaning surface or base section away from a handle head.
2 This spacing provides for, or creates a gap 33, shown in FIG. 5B which allows pad 20 to be
3 coupled to handle 30, while still allowing some give in pad 20.

4 FIG. 8A shows a view of a first embodiment of pad 20 which shows side wall 21 as
5 well as conical protrusions 26a and 28a as well as semi-spherical protrusions 24a. This
6 view shows the extension difference in length between the conical protrusions 26a and 28a
7 and the semi-spherical protrusions 24a.

8 In addition, FIG. 8B shows another embodiment of a pad which includes a back
9 extension member 210 which is configured to couple to an associated head of a handle
10 such as that shown in FIG. 11.

11 FIGS. 9A, 9B and 9C show different embodiments of the pad, which include a first
12 style pad 20a, a second style pad 20b, and a third style pad 20c.

13 First style pad 20a as shown in FIG. 9A includes a base section including a side
14 wall 21a, which rises to a first back section 23a, which is substantially perpendicular to
15 first side wall 21a. A second side wall 25a then rises perpendicular to first back section
16 23a, and parallel to first side wall 21a. This then forms another back section or second
17 back section 26a, which is bounded on the inside by perpendicular wall 28a forming open
18 section 27a. In addition, there is an inside back wall or section 29a which forms a back
19 surface substantially parallel to and opposite to the opposite cleaning surface having
20 protrusions.

21 In at least one embodiment, pad 20, pad 20a, pad 20b, and pad 20c is formed from a

1 flexible material, such as rubber, including natural rubber, synthetic rubber, plastic or other
2 types of materials such as a composite. Therefore, with respect to these pads such as pad
3 20a, back surface 29a can collapse back towards handle 30 including the surface 38 (See
4 FIGS. 10A and 10B) as well.

5 FIG. 9B shows a perspective view of another embodiment 20b which shows a base
6 section including a side surface 21b, a first back surface 23b an interior back surface 29b
7 and an opening or gap 27b which allows back surface 29b to collapse therein.

8 FIG. 9C shows a back top view of another embodiment 20c, which shows a base
9 section including a back surface 23c, recessed surface 25c, and back surface 29c which is
10 opposite an associated cleaning surface having protrusions.

11 While these three embodiments are shown, other modifications can be made to
12 these embodiments.

13 FIG. 10A shows one embodiment of a handle 30. In this view, there is shown
14 handle 30 as well as head section 32b which includes a head having a first front surface 37
15 and a second raised inner front surface 38. First front surface 37 is recessed behind second
16 front surface 38 and extends substantially parallel to second front surface 38. First front
17 surface 37 forms a contact surface to contact with back walls of a pad such as back wall or
18 surface 23b, (FIG. 9B) back wall or surface 23a, back wall or surface 23b, and back wall or
19 surface 23c, as well as back wall or surface 25c.

20 FIG. 10B shows a side view of this handle which includes raised inner back surface
21 38 projecting out from head 32b.

1 FIG. 11 is a side perspective view of a handle which shows a handle section 30, a
2 head section 32a, an outer rim 39a, an inner groove 37a, and a centrally located platform
3 38a. Inner groove 37a is rounded, in the form of a substantially oval shaped groove which
4 is surrounded by outer rim 39a. In a central region of head 32a is a platform 38a which is
5 used to support a pad once it is coupled to the head. The outer rim 39a, groove 37a and
6 platform 38a are substantially oval shaped in cross-section and can be formed in a different
7 shape such as circular shaped in cross section if necessary. Outer rim 39a is molded within
8 head 32a and includes side walls which add lateral stability to the pad once the pad is
9 coupled to the head. Groove 37a provides a recessed attachment surface which is
10 configured to receive a pad such as pad 20, 20a, 20b, 20c of FIGS. 9A, 9B, and 9C or 220
11 of FIG. 15D. Central platform 38a is configured to be spaced apart from an associated pad
12 such as pad 20 (See FIG. 5B) so as to form a gap 33 allowing pad 20 to collapse towards
13 central platform 38a. Central platform 38a and the corresponding side walls therefore
14 forms a support surface for this head.

15 FIG. 12 shows a side view of this handle design showing handle section 30, head
16 section 32a, rim 39a, groove 37a, and platform 38a as well.

17 FIG. 13 shows a side-perspective view of the handle head 32a which shows outer
18 rim 39a, inner groove 37a, and central platform 38a. In this view, central platform 38a,
19 groove, 37a and rim 39a each extend lengthwise along longitudinal axis 32L and widthwise
20 along latitudinal axis 32W. As described above, the shapes of each of these objects can be
21 dimensioned into different shapes. However, in this example, each of platform 38a, inner

1 groove 37a, and platform 38a are configured to extend in a longer direction along
2 longitudinal axis 32L than along latitudinal axis 32W. This dimensioning results in a
3 substantially oval shape.

4 FIG. 14A shows an end view of handle 30, while FIG. 14B shows a side cross-
5 sectional view of handle 30 and head 32a. This view shows the spacing gap of groove 37a
6 which is spaced between rim 39a and central platform 38a.

7 FIG. 15A shows an end cross-sectional view of a head 32a which includes a
8 plurality of different sections. Head 32a can be coupled to any of the designs of handle 30
9 and can be used in a manner similar or interchangeably with the other heads shown
10 including heads 32, 32a and 32b. Head 32a includes outer sections 39a, forming outer side
11 walls of a body. There is also a center section 38a as well. Formed in this body is a
12 groove 37a, wherein groove 37a each have tapered or beveled openings 322a and 324a,
13 forming a wider than normal opening for insertion of a pad. Essentially, this cross-
14 sectional view of the handle head forming a base is formed as a handle head having a
15 substantially W shaped cross-section.

16 FIG. 15B shows a top view of this head showing groove 37a actually forming a
17 single opening in the form of a ring formed in head 32a. In addition, center region
18 platform 38a is shown surrounded by the recessed ring formed by recess or groove 37a.

19 FIG. 15C shows a cross-sectional view of another embodiment of a pad 220. Pad
20 220 includes a base section 220a which forms the body region of this pad. This view
21 shows pad 220 including side walls 222a and 222b, each having extended back surfaces

1 223a and 223b which extend substantially parallel to the front cleaning surface. There are
2 also inner side walls 226 which extend towards a back surface 225. Disposed in this back
3 surface 225 is at least one recess 227 which is recessed in towards side walls 221a and
4 222b. An opposite cleaning surface 229 forming a base is positioned parallel to, but
5 opposite back inner surface 225. When this pad is used, this pad can collapse allowing
6 surface 225 to collapse into a surface of a handle such as surface 38a.

7 FIG. 15D shows a back view of this device or pad 220 which includes back
8 surfaces 221a and 221b as well as inner, raised back surface 223a, and 223b, along with
9 inner recessed surface 225. With this design, pad 220 can be used as a collapsible pad
10 which gives when a user cleans the teeth by applying the pad to the teeth.

11 With this design, pad such as pad 20 or pad 220 can be coupled to a head such as
12 head 32, 32a, 32b, wherein surfaces 223a and 223b are coupled to rim or groove 37a in any
13 suitable manner such as through the use of an adhesive such as but not limited to glue.
14 Back surface 221 and 222 can also be coupled to rim 39a via an adhesive as well. Back
15 surface 225 could however, be spaced apart from platform or raised surface 38a to provide
16 a spacing such as spacing 33 shown in FIG. 5B. This then results in a pad, such as pad
17 220, being secured to the head such as head 32a in a stable manner, while still allowing
18 some flexibility to allow the cleaning surface 22, 24, 26, 28 to bend to collapse into region
19 33 to allow this cleaning surface to mold itself around the article being cleaned such as
20 teeth.

21 FIGS. 16A and 16B show another embodiment of the pad which includes a finger

1 held pad 320. Finger held pad is substantially similar to pad 20 but it allows for the
2 insertion of a user's digit such as a finger into the pad. Pad 320 includes side walls 321,
3 and a finger insertion cavity 331 for insertion of a finger into the pad. Cavity 331 (See
4 FIG. 16B) is formed as a recess in the pad to receive a user's finger. The pad cleaning
5 surface includes a plurality of different cleaning sections including sections 322, 324, 326,
6 328, wherein each of these cleaning areas or sections include different types of protrusions
7 322a, 324a, 326a, and 328a. These protrusions can be of any shape. However, with areas
8 322 and 324, these areas include semi-spherical protrusions 322a and 324a, which are
9 rounded protrusions which can be used to clean a surface of a tooth. The other areas 326
10 and 328 include respective protrusions 326a and 328a which are conical shaped or
11 substantially conical or frusto-conical shaped which in this example, extend beyond the
12 extension of protrusions 322 and 324. In addition, there are grooves 327 and 329 wherein
13 groove 327 serves to seat protrusions 328a while groove 329 serves to separate area 326
14 from areas 324, and 322.

15 FIG. 16B shows an end view of the pad 320 which shows a front wall 321a, two
16 side walls 321b, 321c, and a back wall 321d. Front wall includes the front face which
17 supports the protrusions 322a, 324a, 326a, and 328a, as well as grooves 327 and 329. In
18 this way the cavity 331 is configured to receive a finger of a user wherein this cavity
19 including these side walls then surrounds the finger to provide support for a user handling
20 the pad. In this view, only some of the protrusions 322a are shown, however, this
21 embodiment includes or can include all of the protrusions shown in FIG. 16A.

1 With this design, there is shown a finger usable design which can be used to clean a
2 user's teeth without using a separate handle. Because the finger inserts into hole or cavity
3 331, it allows a user to manually manipulate the pad to clean the user's teeth.

4 FIGS. 17A-17H show another embodiment of a pad which has multiple different
5 areas for pads. For example, this pad 400 includes a side wall 405 a front end 410, and a
6 back end 420. Front end 410 includes a plurality of different areas such as a first raised
7 section 412. That first raised section 412 includes a plurality of conical elements. These
8 conical elements extend out from this front section and extend from one end to dividing
9 line 413. A central line 414 extends from dividing line 413 to the opposite end. Central
10 line 414 includes a plurality of cones as well. This central line is configured to spit the pad
11 into two different sides. The first side includes a first region 417 which comprises a
12 plurality of dome shaped protrusions. These dome shaped protrusions extend to a lesser
13 extent than that of the conical shaped elements. There are at least two outer rings 415 and
14 416 which each comprise conical elements as well. These rings extend on the outer side of
15 these pads as well. There is also another section or region 418 of substantially dome
16 shaped protrusions which extend out to a lesser extent than that of outer rings 415 and 416
17 of conical elements.

18 The conical shaped elements are configured to extend into the crevasses between
19 the teeth as well as to extend into the recessed regions of the tops of the users teeth. For
20 example, when a user brushes his or her teeth, the conical elements extend into the recesses
21 of the user's teeth so that it can drive food or other particles out from the user's teeth.

1 Conversely, the dome shaped protrusions are recessed with respect to the conical
2 elements. These dome shaped elements are used to gently brush or rub food away from the
3 user's teeth without being too harsh on the user's teeth. In this way, these dome shaped
4 elements can be used to gently remove any film or materials such as food that is coated on
5 a user's teeth.

6 As shown in FIGS. 17B and 17C, the back side of the pad 420 includes a first flat
7 back region 422, a raised back region 424, and a beveled region 425. The beveled region
8 425 is an angled edge off of back region 424. This allows back region 424 to insert into an
9 associated handle. In addition there is a central recessed region 426 which allows a central
10 extension from a handle to insert therein as well or if the handle does not have a section
11 that inserts therein, this allows the pad face 410 to collapse when pressure is applied. In at
12 least one embodiment such as shown in FIG. 17C, there is a pad that can function which
13 has a reservoir 426 which is a gap section between the pad 400 and the remainder of the
14 handle. This gap section allows for material to be injected therein such as toothpaste or
15 other cleaning solution. The means of injection could be in the form of a syringe or any
16 other type of dosing element. This toothpaste can then remain in the toothbrush head and
17 then be released through optional holes 428 and 429 shown by dashed dotted lines. One
18 means to release this toothpaste or medicament is by applying pressure on the pad or head
19 which presses the pad surface thereby collapsing the pad head down on the handle thereby
20 collapsing the reservoir 426 pushing the toothpaste or medicament out of the reservoir and
21 on to the front face of the pad.

1 To inject the medicament or toothpaste, an end gap 427 is present which forms an
2 opening into reservoir 426. Gap 427 is formed in raised section 424 and allows this
3 material to be injected into this reservoir 426 so that it can thereby be later administered
4 through optional holes 428 and 429. Gap 427 can be optionally plugged or closed via a
5 plug 427a shown removed from gap 427.

6 This type of embodiment of FIG. 17C is only an optional embodiment and is not
7 the preferred embodiment for the head which is shown in FIGS. 17B and 17D.

8 In addition, FIGS. 18A-18G show different views of the handle that can be used in
9 combination with the pad shown in FIGS. 19A-19H. Handle 500 includes an arm section
10 510, and a head section 520. Arm section 510 includes areas of different thickness. Head
11 section 520 includes an outer rim region 521, a recessed region 522 and a central support
12 region 525. Central support region is substantially egg-shaped or teardrop shaped or oval
13 shaped. It has a wider base and a narrower top. The head itself 520 is also substantially
14 shaped as either egg-shaped, teardrop shaped, or oval shaped. In alternative embodiments
15 this central support region could be recessed as well such as with recessed region 522, this
16 allows the pad to compress and collapse in view of the pressure applied by a user.

17 FIGS 19A-19G show the assembled product which includes the pad 400 and the
18 handle 500 forming the combined dental device 600. These differing views show how the
19 pad is oriented on the handle such that the handle curves inward so that a person brushing
20 while using the handle and the pad can reach the back part of their teeth. For example, as
21 shown in FIG. 19D longitudinal line 602 extends along the handle 500 and the head 400

1 approximately bisecting the handle and the head. This line 602 shows the angle that the
2 head takes with respect to the rest of the handle such that it is angled inward to allow a user
3 to reach to back teeth of that user.

4 Different styles of the design can be used. For example, FIG. 19E shows a
5 vibrating type device 610 which includes a vibrating element or mechanism 612 which is
6 in communication with a button 614 via a line 613. In addition, there is a battery 616
7 which is in communication with button 614 as well. Thus, when button 614 is pressed,
8 power is sent to mechanism 612 via lines 615 and 613 so that mechanism is activated
9 thereby vibrating head 612.

10 FIG. 19F shows a double headed device 620 which includes a first head 621 and a
11 second oppositely mounted, oppositely facing head 622. Oppositely facing head could be
12 of any suitable style such as similar to the style with pad 400 or with a different pad. For
13 example, in at least one embodiment, there could be a first pad such as pad 400 in head
14 621, and a second pad such as pad 20 which has fewer conical elements and more of the
15 smaller dome shaped elements.

16 This design could be reduced in size to accommodate children. Alternatively this
17 type of design could be used to brush the teeth of pets such as dogs as well.

18 This design ultimately allows a user a more gentle way to clean the user's teeth
19 without further damaging the teeth by removing enamel or other protective coatings.

20 While the materials used for the pad and for the handle can be of any suitable
21 materials with the pad being made from a polymer, plastic or rubberized material that is

1 substantially elastic and springy. The handle can be made from a polymer material
2 wherein in at least one embodiment the handle is made from a substantially stiffer material
3 than that of the pad. In at least one embodiment the pad is made from GLS Versaflex CL
4 2000X .

5 Versaflex TPE alloys can be in the form of a thermoplastic elastomer. The CL
6 2000x version is described as an ultrasoft thermoplastic elastomer which has a specific
7 gravity of .868 g/cm³ a typical durometer hardness (Shore A, 10 sec) value of 3; a tensile
8 strength of 2.07 MPa or 300 psi at 73 degrees Fahrenheit or 23 degrees C, a tear strength of
9 8.76 kN/m with a tensile elongation at 73 degrees Fahrenheit of 1100%.

10 Accordingly, while a few embodiments of the present invention have been shown
11 and described, it is to be understood that many changes and modifications may be made
12 thereunto without departing from the spirit and scope of the invention as defined in the
13 appended claims.

CLAIMS

WHAT IS CLAIMED IS:

1. A tooth cleaning device comprising:
 - a) a handle;
 - b) a pad having a base section coupled to said handle, said base section having a front face and a back face; and
 - c) a plurality of different areas disposed on said front face of said base section comprising:
 - i) a first area comprising a first set of protrusions; and
 - ii) a second area comprising a second set of protrusions, wherein said first set of protrusions are different in shape from said second set of protrusions.
2. The tooth cleaning device as in claim 1, wherein said first area of protrusions comprise a plurality of rounded, semi-spherical protrusions.
3. The tooth cleaning device as in claim 1, wherein said second area of protrusion comprise a plurality of conical shaped protrusions.
4. The tooth cleaning device as in claim 1, further comprising at least one additional area of protrusions, comprising at least one third area of protrusions, wherein said at least one third area of protrusions comprise a plurality of conical shaped protrusions.
5. The tooth cleaning device as in claim 1, wherein said first area comprises protrusions that are substantially semi-spherical shaped, and said second area comprises

protrusions that are substantially conical shaped, and wherein said third area of protrusions comprises protrusions that are substantially conically shaped.

6. The tooth cleaning device as in claim 5, wherein said third area of protrusions comprises a substantially centrally extending line of protrusions.

7. The tooth cleaning device as in claim 6, further comprising at least one fourth area comprising a plurality of substantially semi-spherical shaped protrusions, with said first area and said fourth area being divided by said second area of protrusions.

8. The tooth cleaning device as in claim 6, further comprising at least one groove positioned between said first area and said second area.

9. The tooth cleaning device as in claim 1, wherein said base section is substantially hollow.

10. The tooth cleaning device as in claim 9, wherein said back face is spaced apart from said handle.

11. The tooth cleaning device as in claim 10, wherein said base section has a plurality of side walls, with said side walls being coupled to said handle.

12. The tooth cleaning device as in claim 11, wherein said side walls are coupled to said handle via an adhesive.

13. The tooth cleaning device as in claim 1, wherein said handle comprises a base section, and at least two channels disposed in said base section.

14. The tooth cleaning device as in claim 13, wherein said base section has a cross-section that is substantially W-shaped.

15. The tooth cleaning device as in claim 14, wherein said base section comprises a first side wall, a second side wall, an inner wall, and a plurality of channels formed in said first side wall and said second side wall.

16. The tooth cleaning device as in claim 13, wherein said base section of said pad is substantially oval shaped.

17. A tooth cleaning device comprising:

a) a handle;

b) a pad having a base section coupled to said handle, said base section having a front face, a back face and a plurality of side walls; and

c) a plurality of different areas disposed on said front face of said base section comprising;

i) a first area comprising a first set of protrusions, in a substantially semi-spherical shape; and

ii) a second area comprising a second set of protrusions in a substantially conical shape;

iii) a third area of protrusions formed as a substantially conical shape; and

iv) a fourth area of protrusions formed as a substantially semi-spherical shape.

18. A tooth cleaning device comprising:

a) a pad having a base section coupled, said base section having a front face, a back face and a plurality of side walls, and a cavity disposed therein; and

b) a plurality of different areas disposed on said front face of said base section comprising;

i) a first area comprising a first set of protrusions, in a substantially semi-spherical shape; and

ii) a second area comprising a second set of protrusions in a substantially conical shape;

iii) a third area of protrusions formed as a substantially conical shape; and

iv) a fourth area of protrusions formed as a substantially semi-spherical shape.

19. The device as in claim 18, wherein said cavity is configured to receive a user's finger.

20. The device as in claim 19, wherein said pad has a front wall having said front face, a back wall having said back face, and wherein cavity is formed from said front wall, said back wall and said side walls of said pad.

21. The device as in claim 18, further comprising a handle coupled to said pad, and reservoir disposed behind a front face of the pad and between said pad and said handle, wherein the reservoir is configured to receive a toothpaste, and wherein said pad has at least one hole configured for fluid flow of said toothpaste.

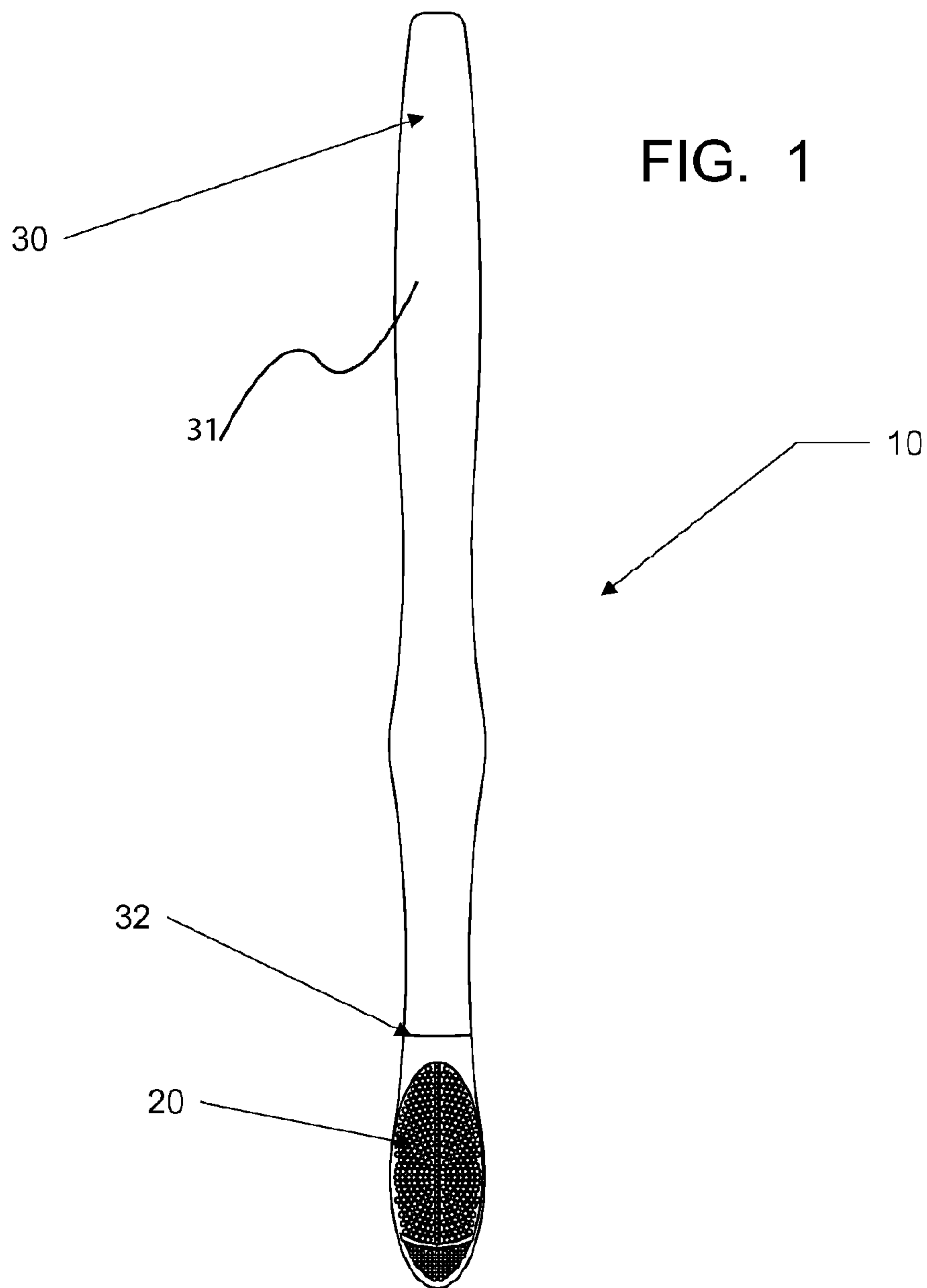
22. The device as in claim 18, further comprising a handle with said pad coupled to said handle, wherein the device further comprises:

at least one vibrating mechanism;

at least one battery configured to drive said vibrating mechanism, wherein when said vibrating mechanism is on the pad is configured to vibrate.

23. The device as in claim 18, further comprising a handle with said pad coupled to said handle at a first end, and the device further comprising at least one additional pad coupled to an opposite end of said handle.

1/16



2/16

FIG. 2

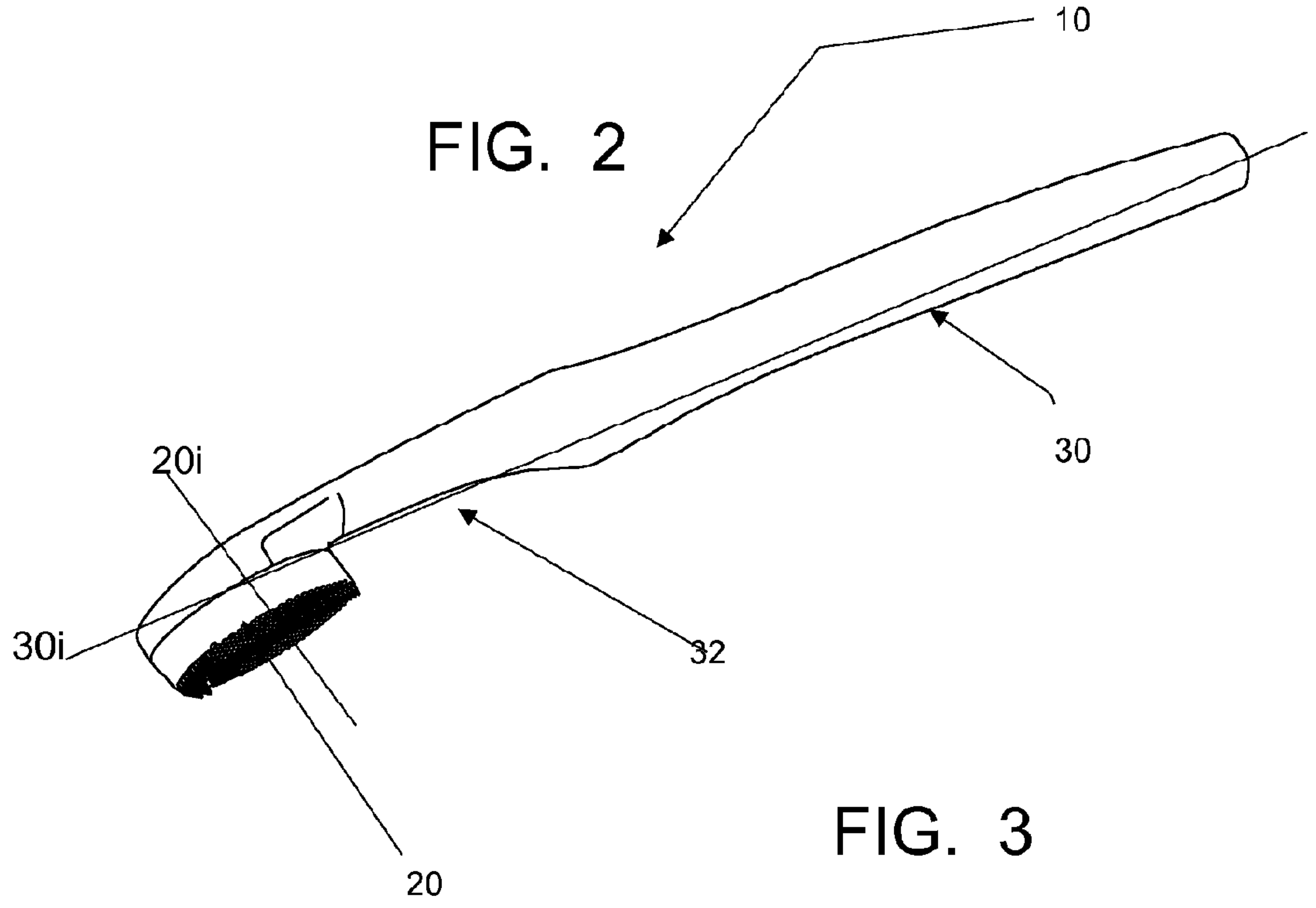
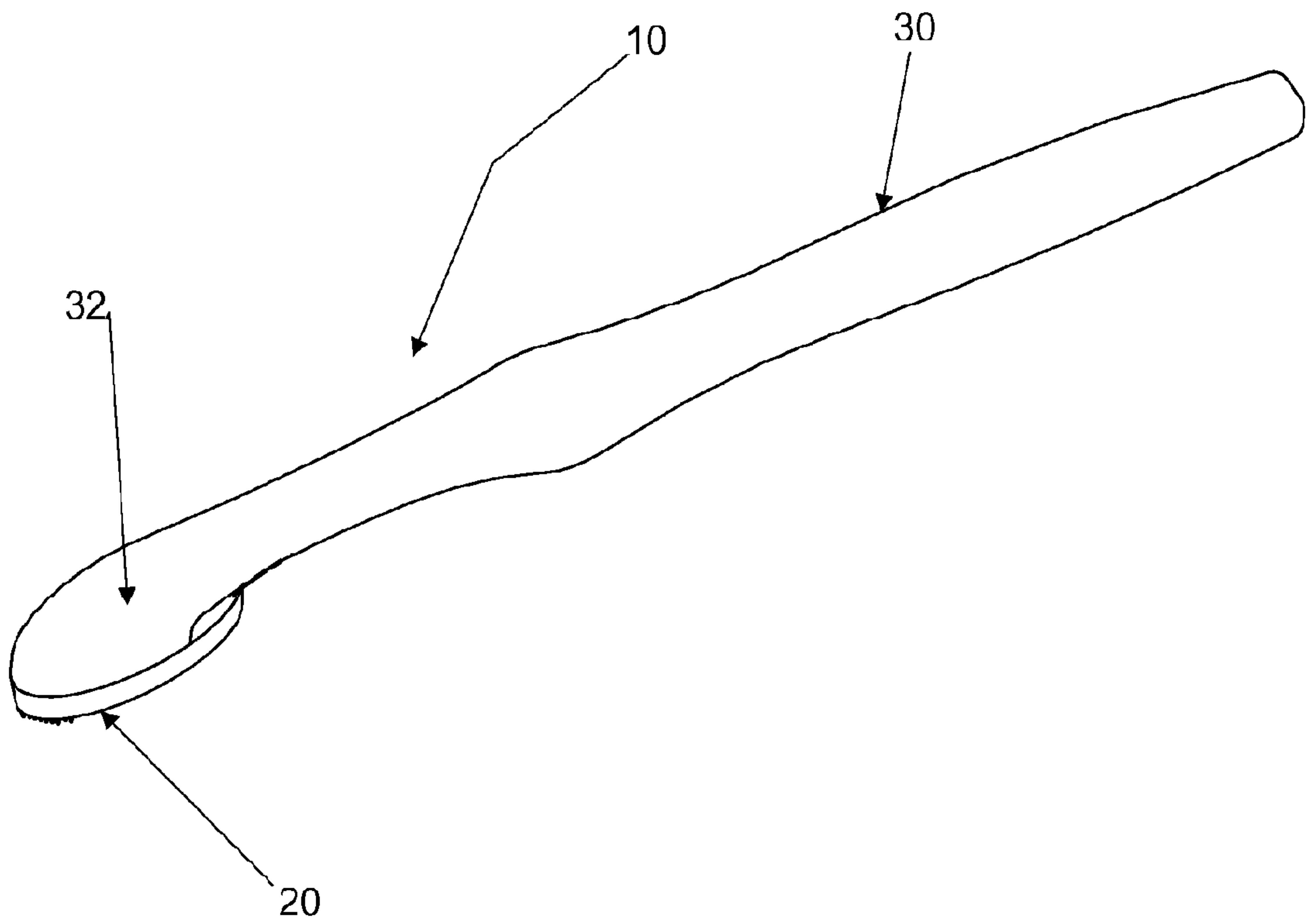
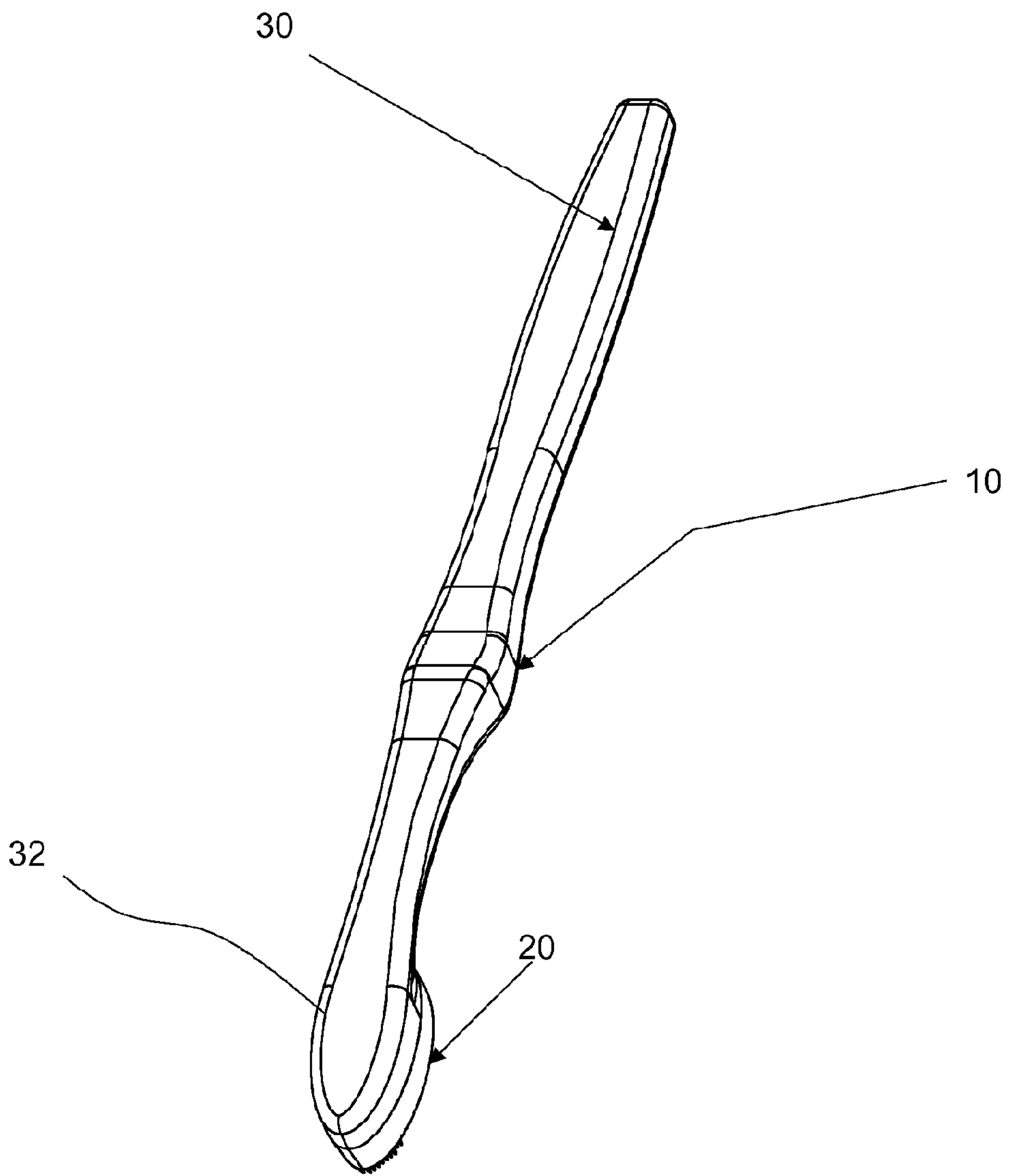


FIG. 3

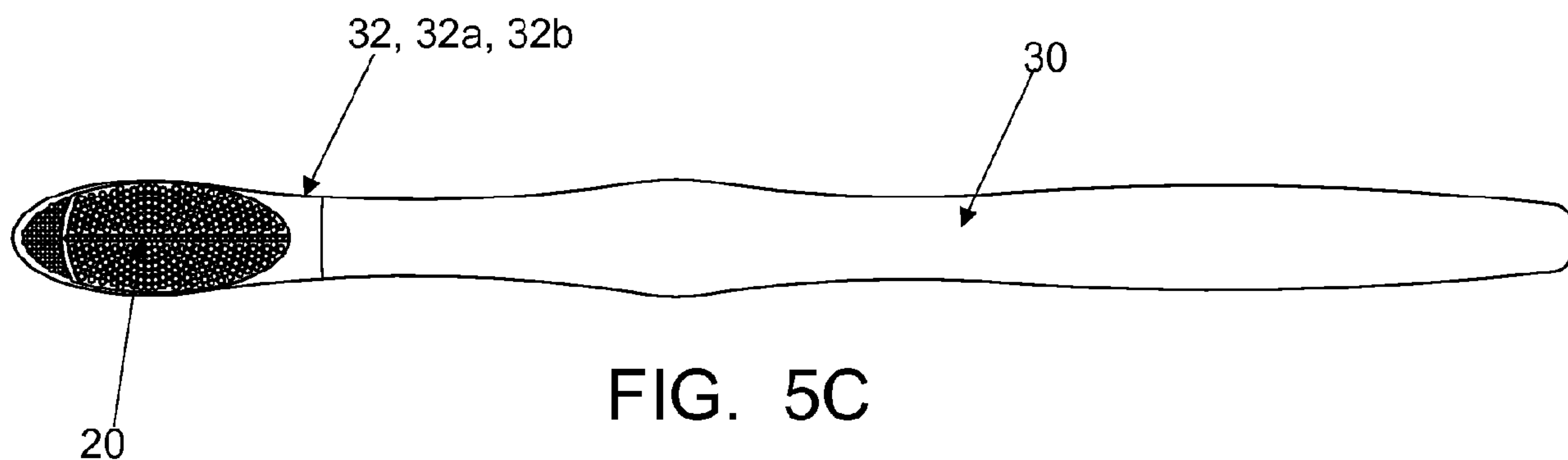
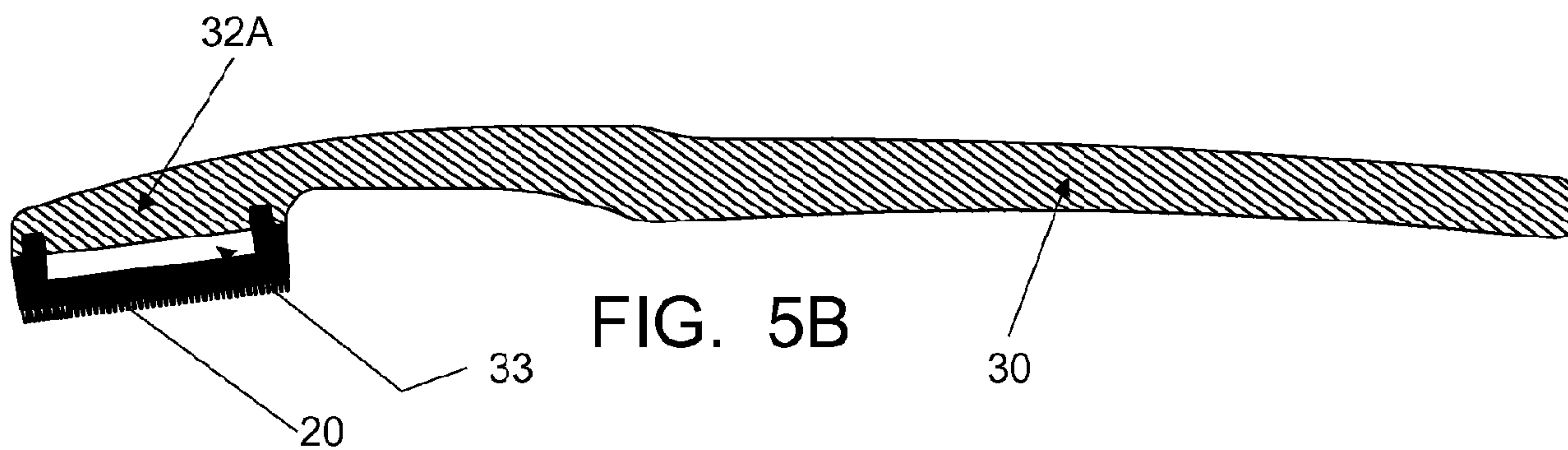
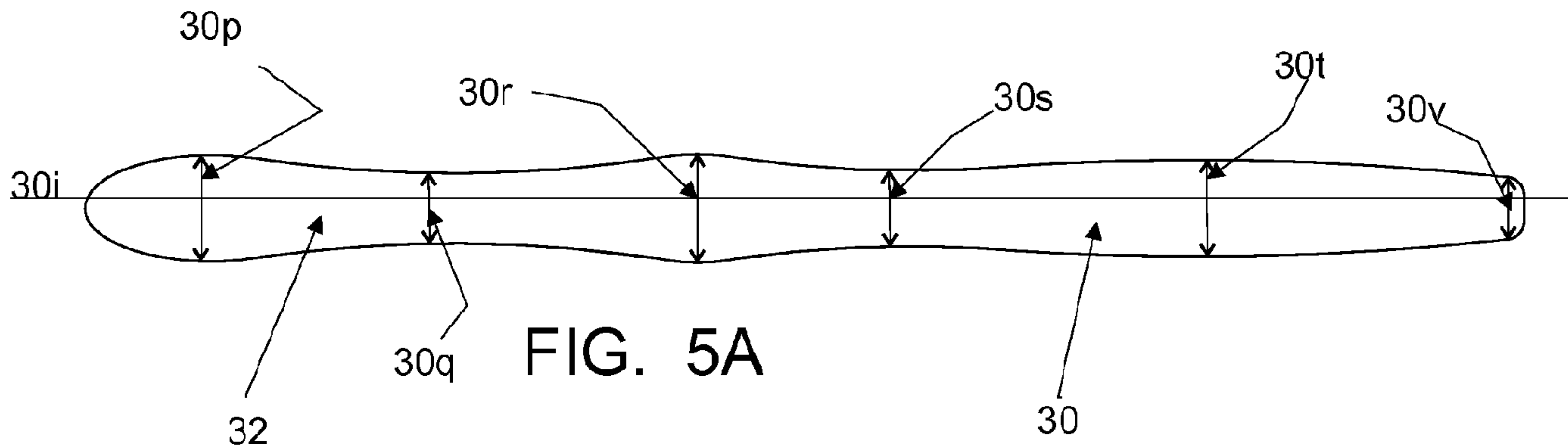


3/16

FIG. 4



4/16



5/16

FIG. 6

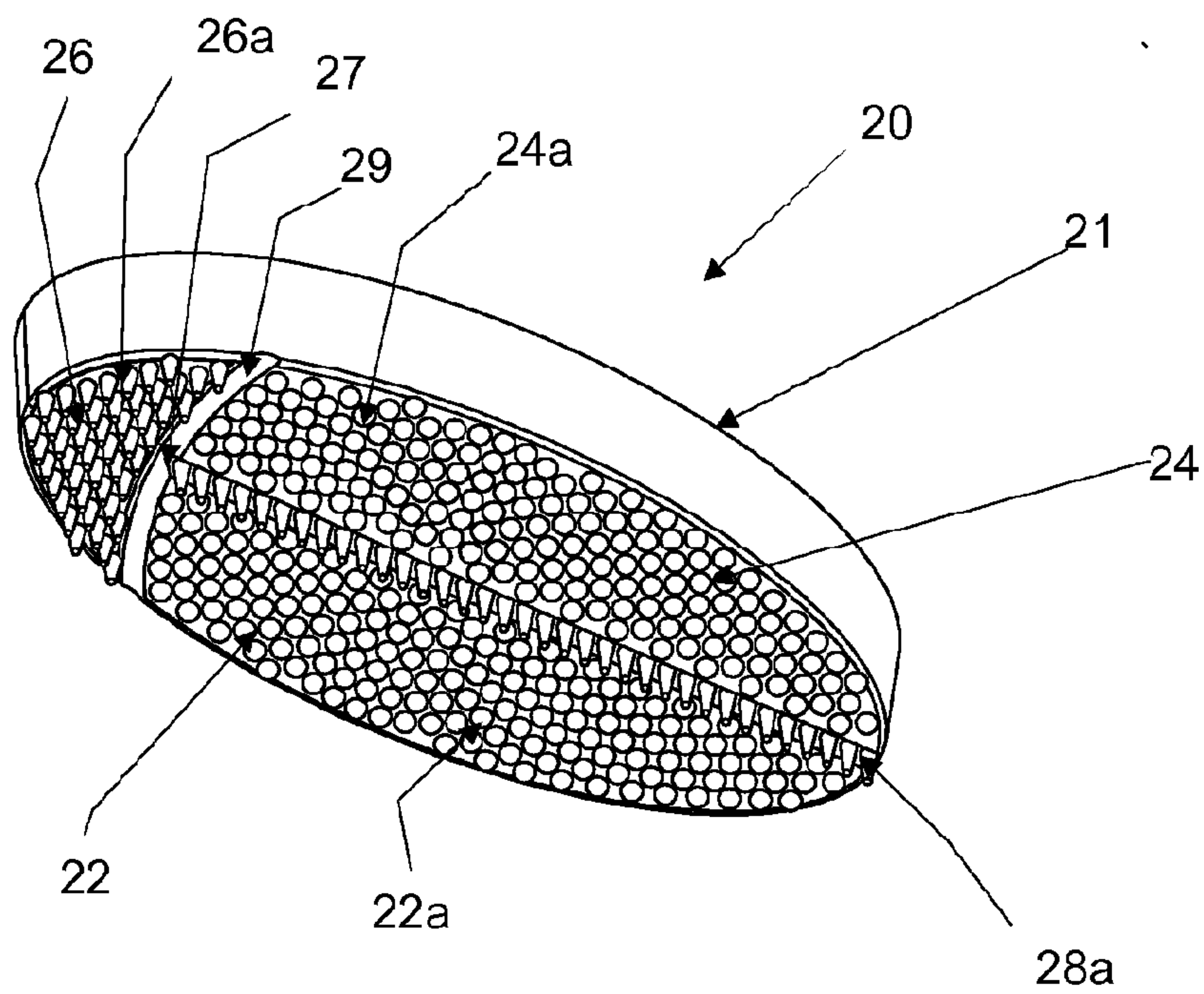
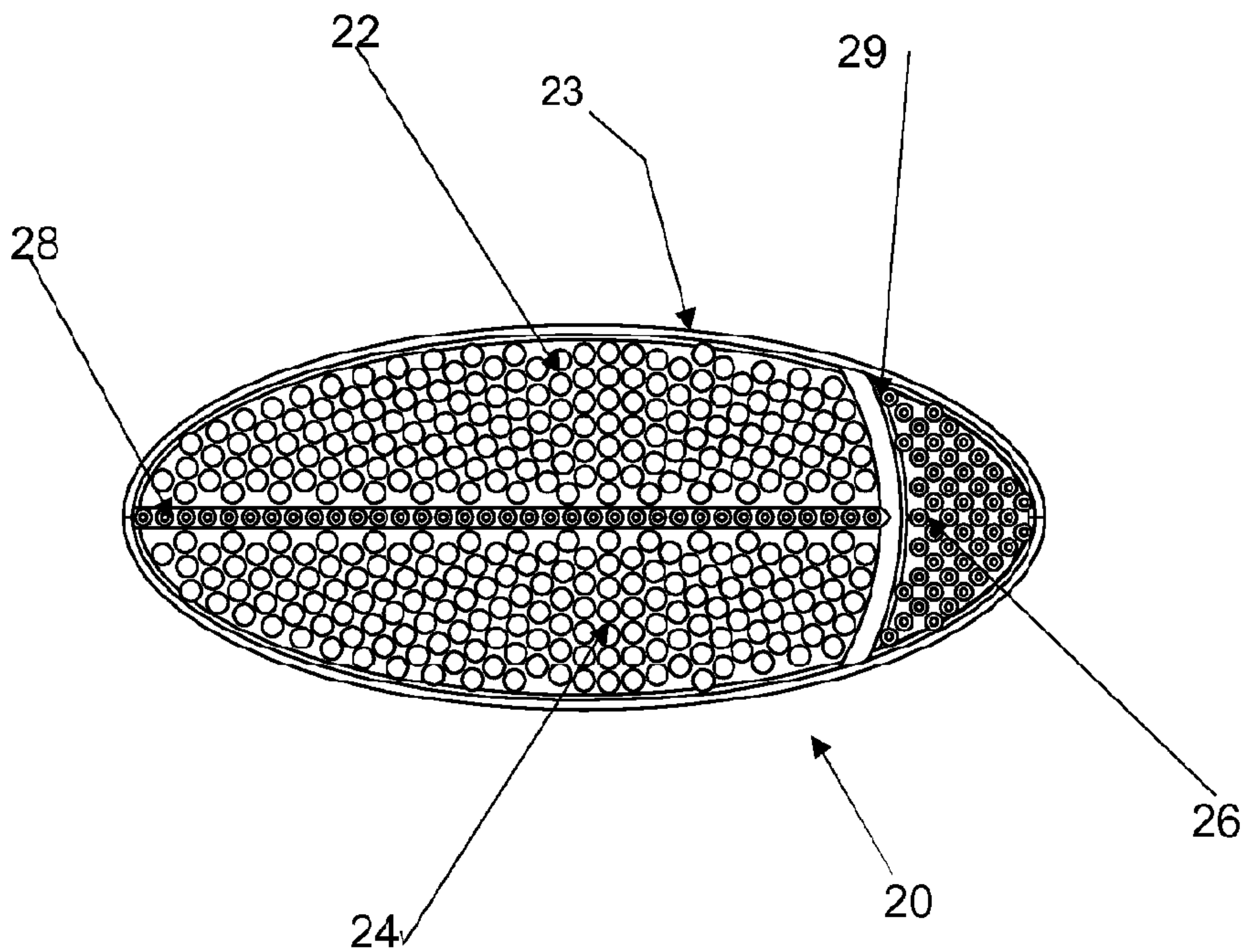


FIG. 7

6/16

FIG. 8A

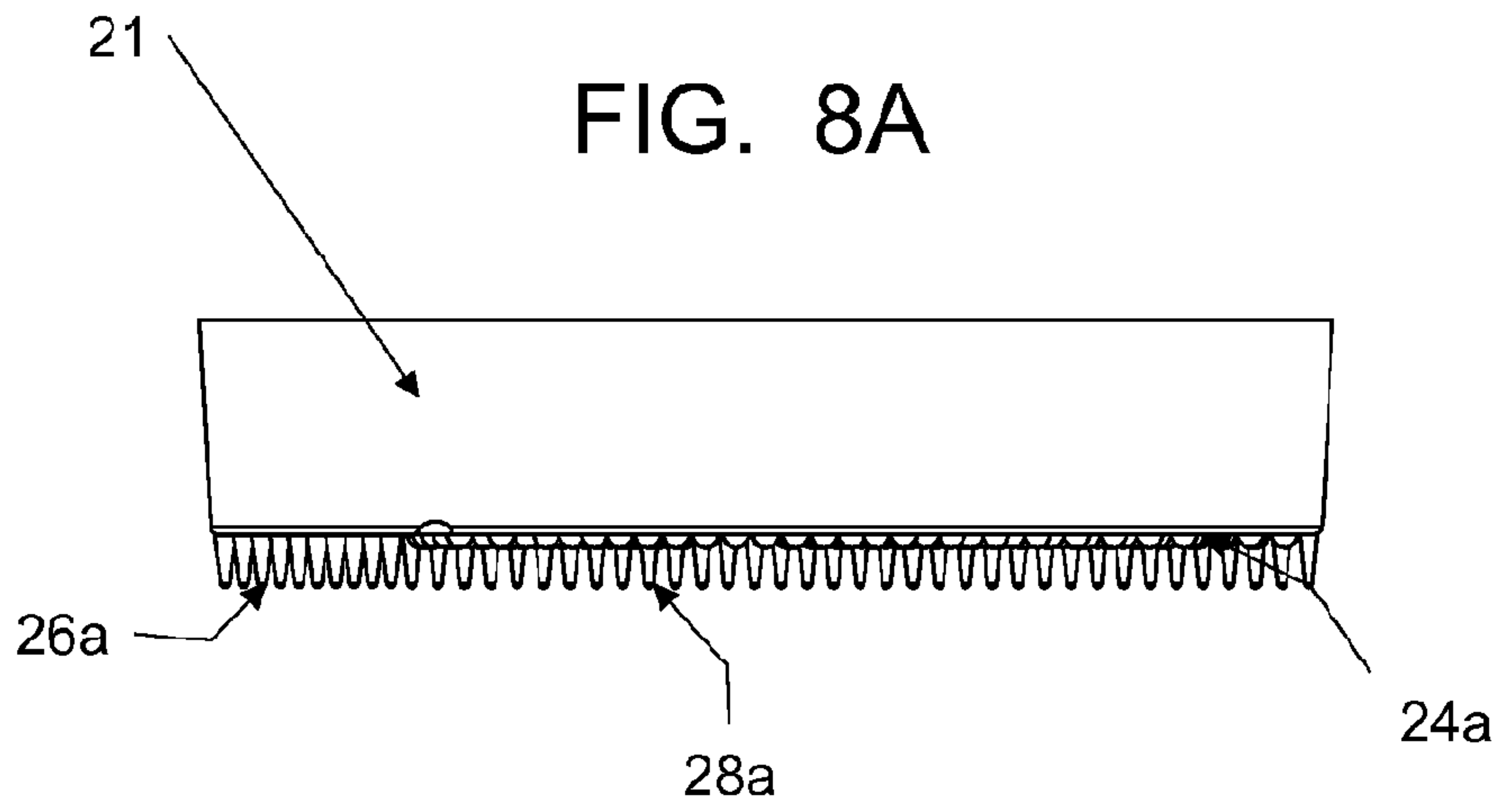
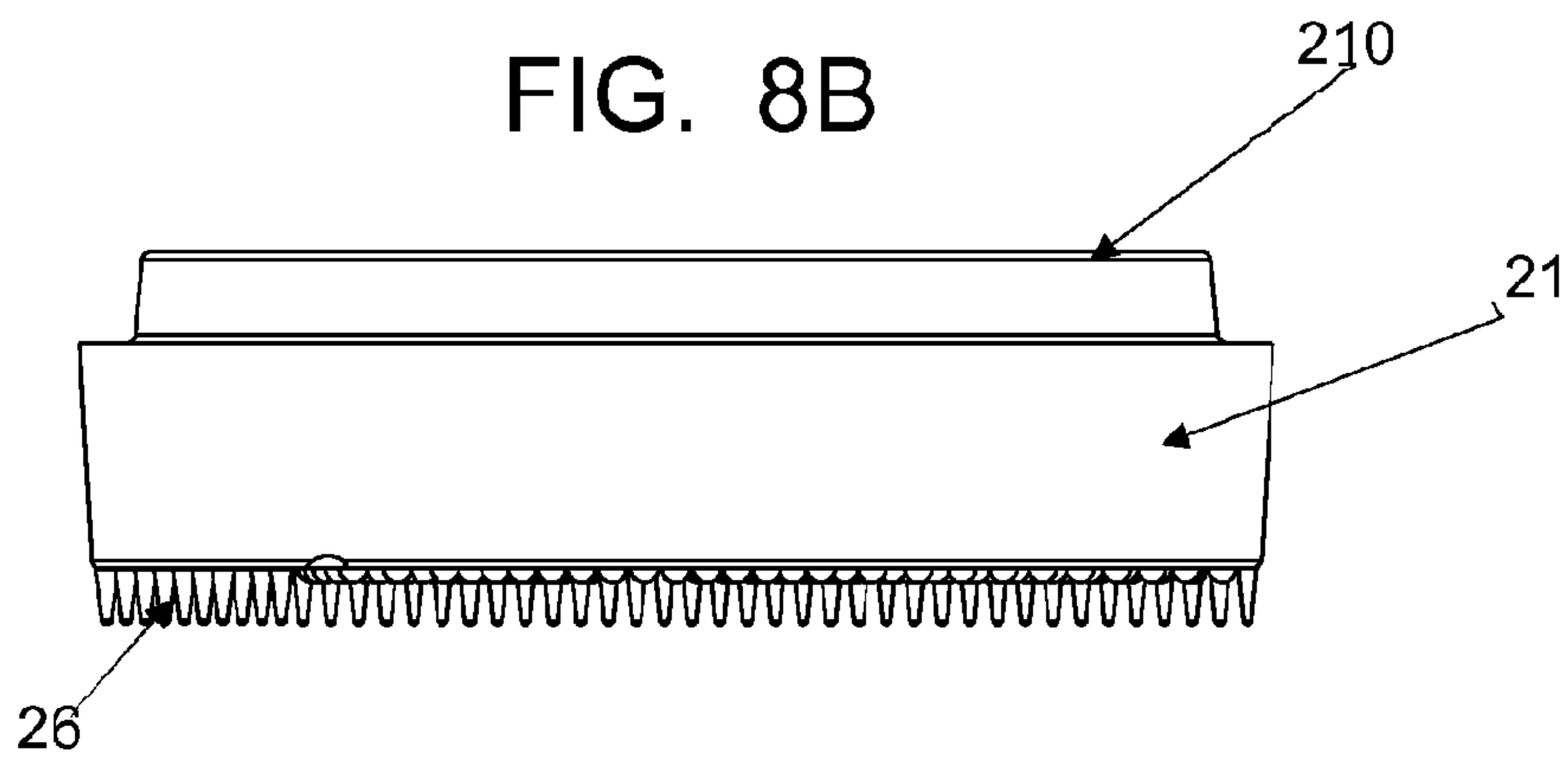
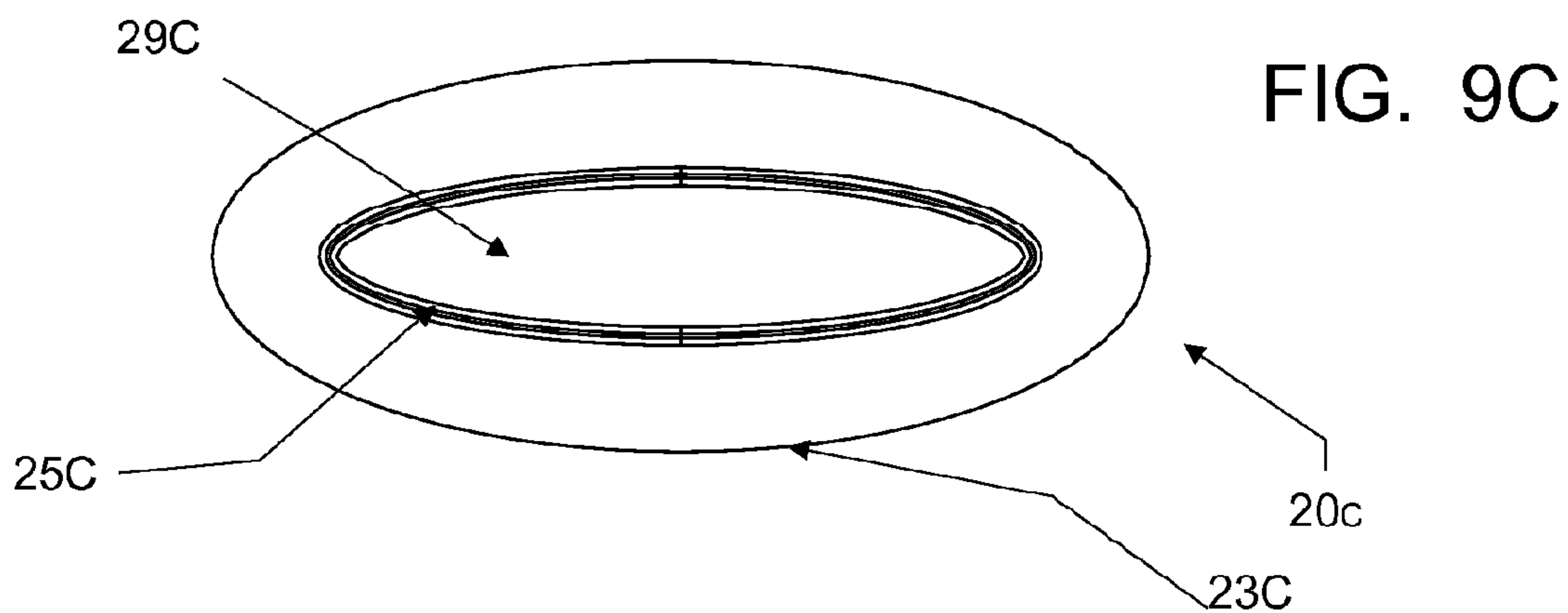
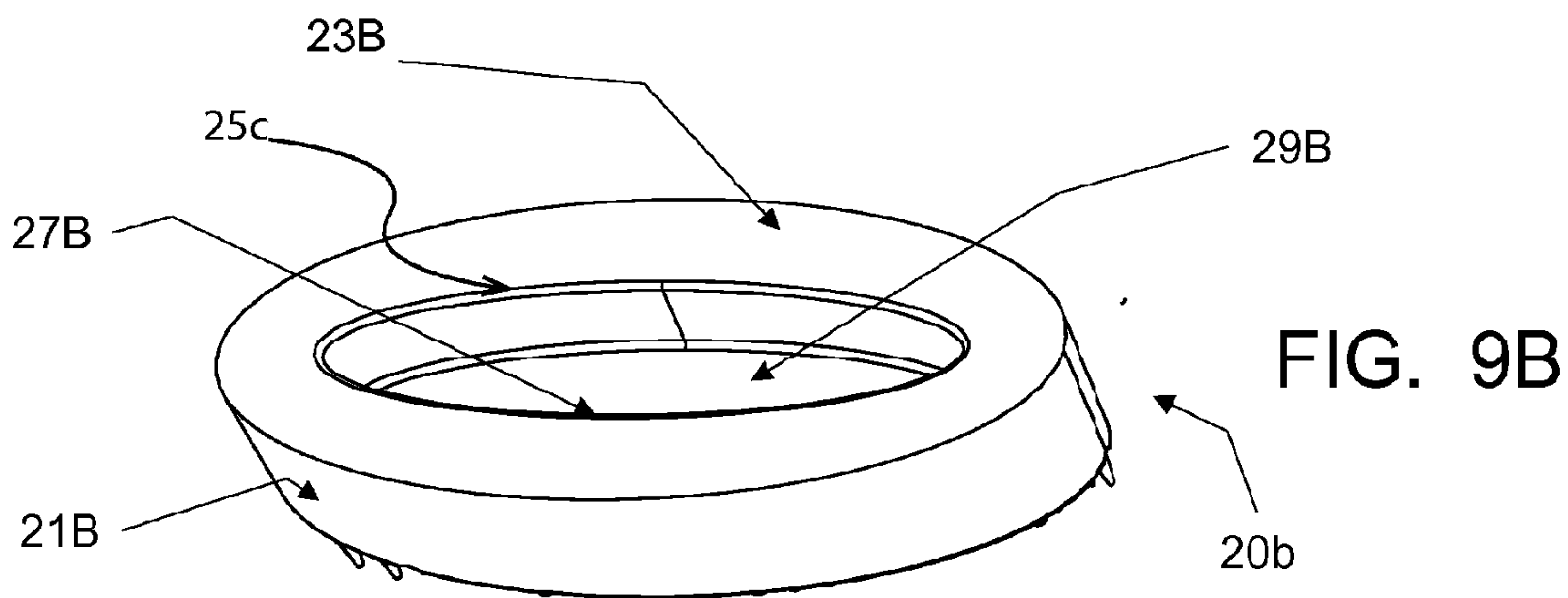
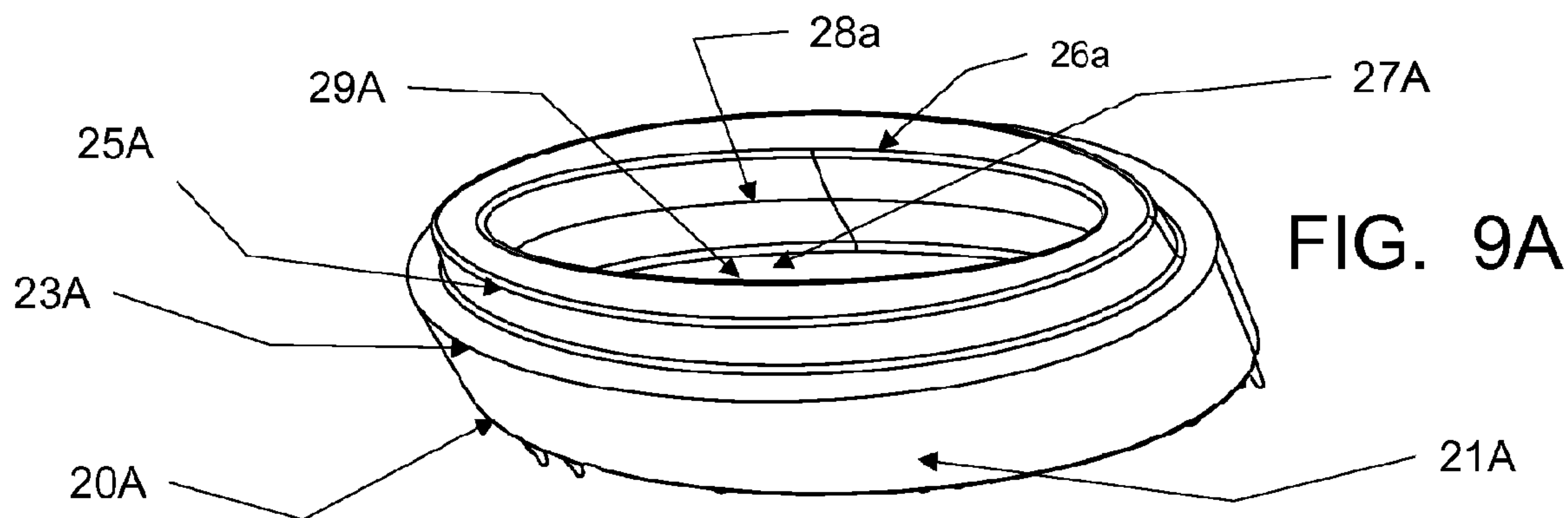


FIG. 8B



7/16



8/16

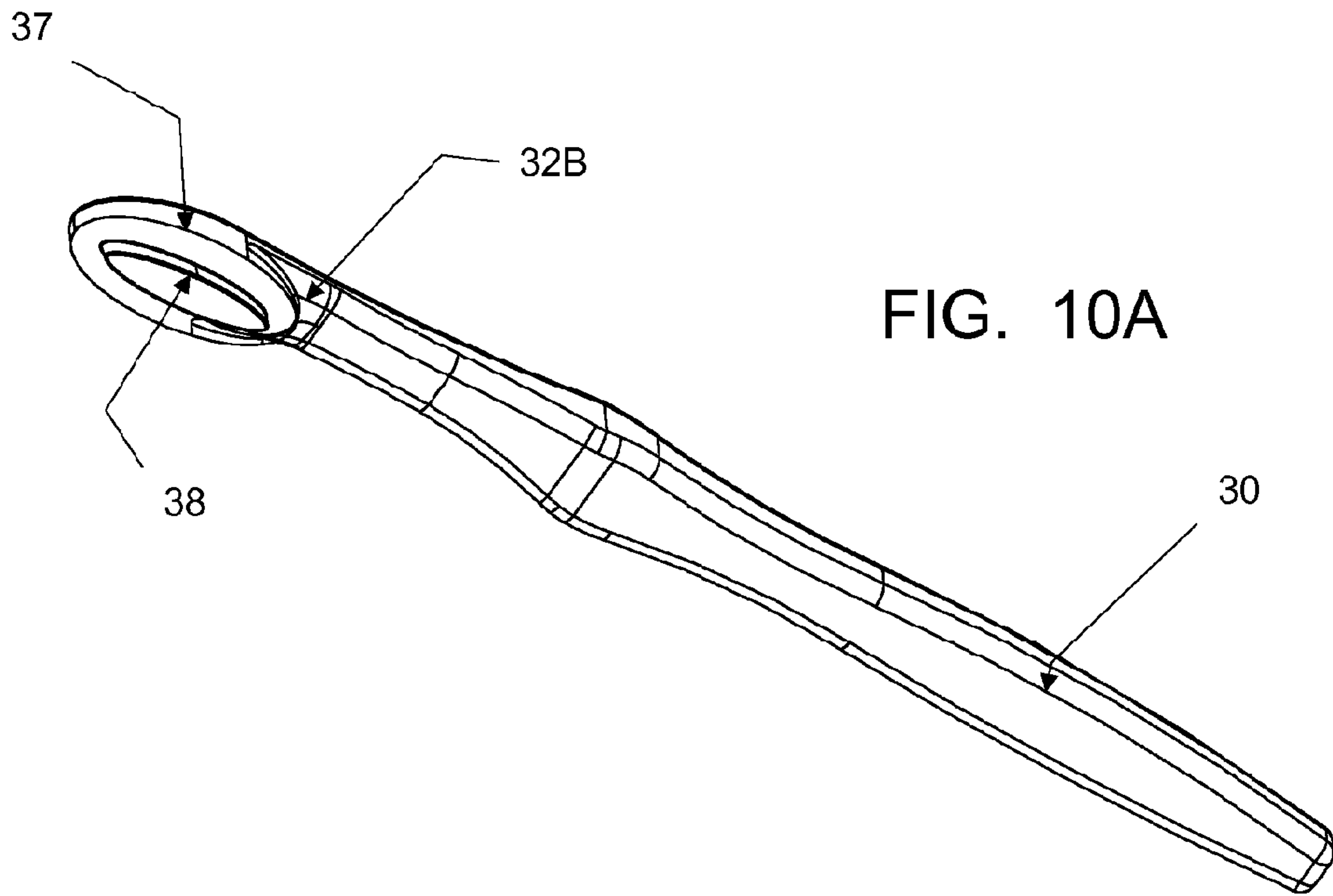


FIG. 10A

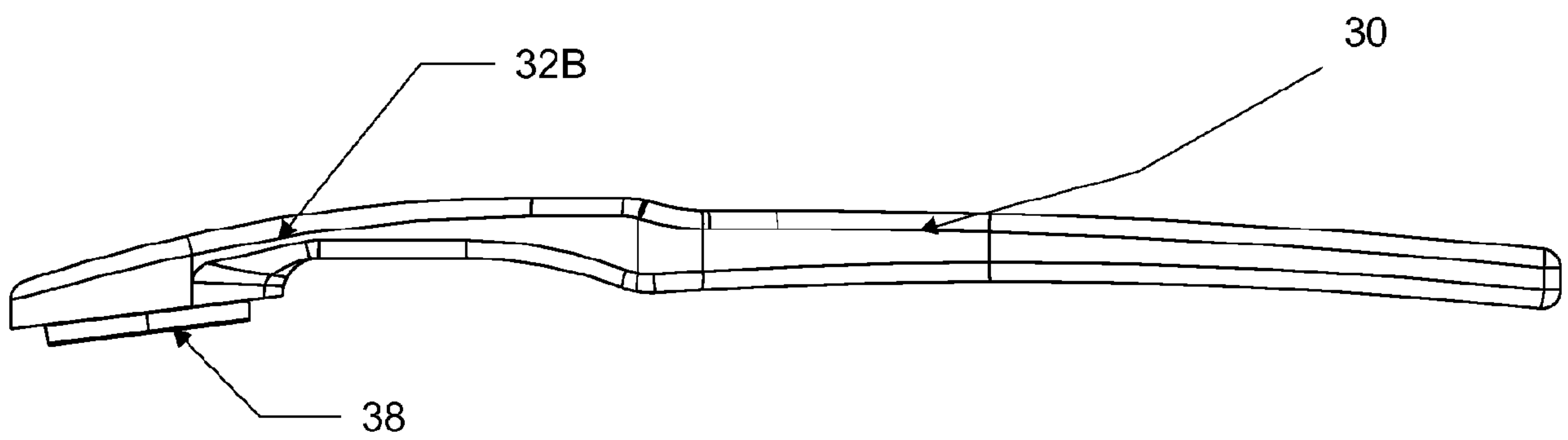


FIG. 10B

9/16

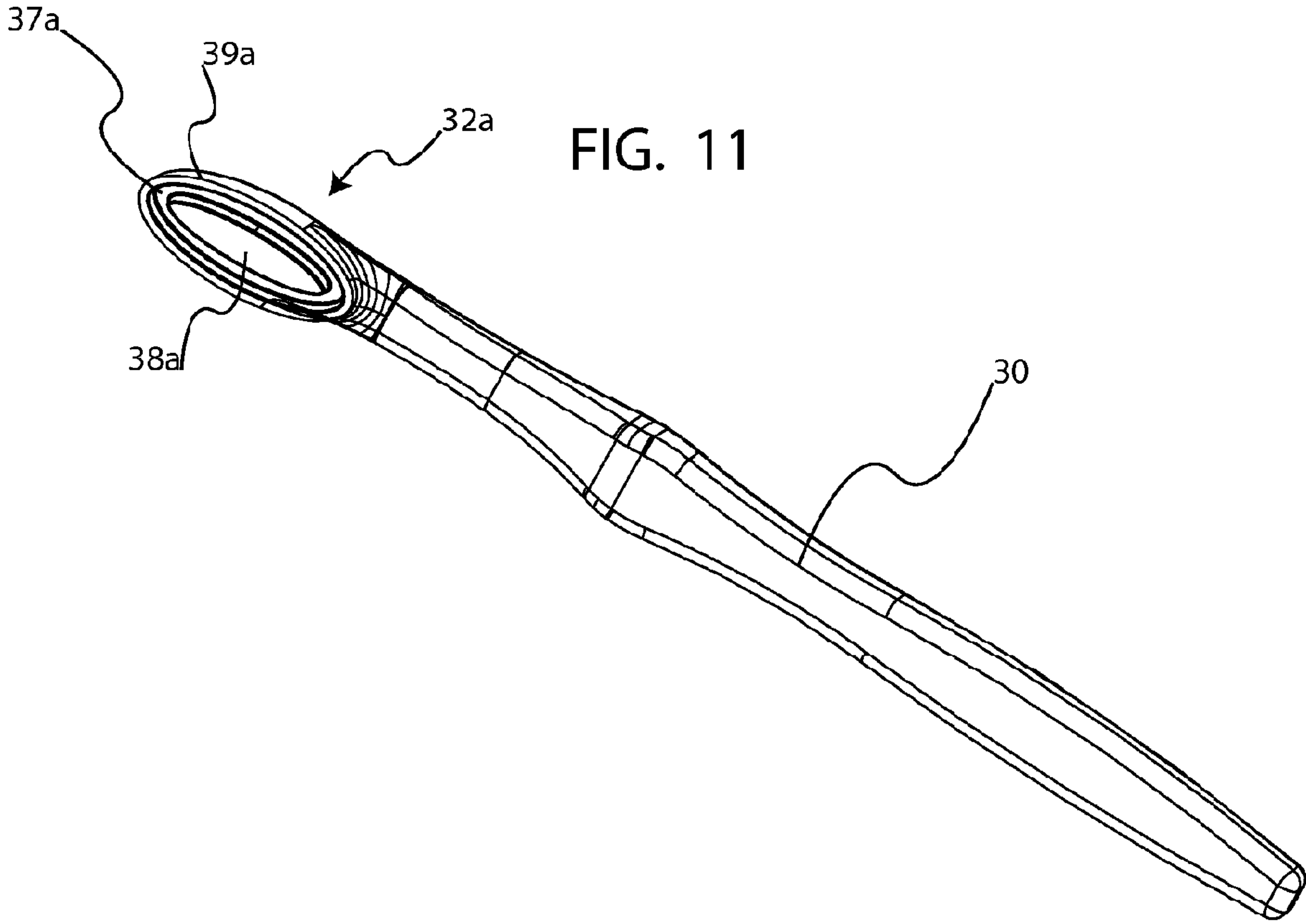
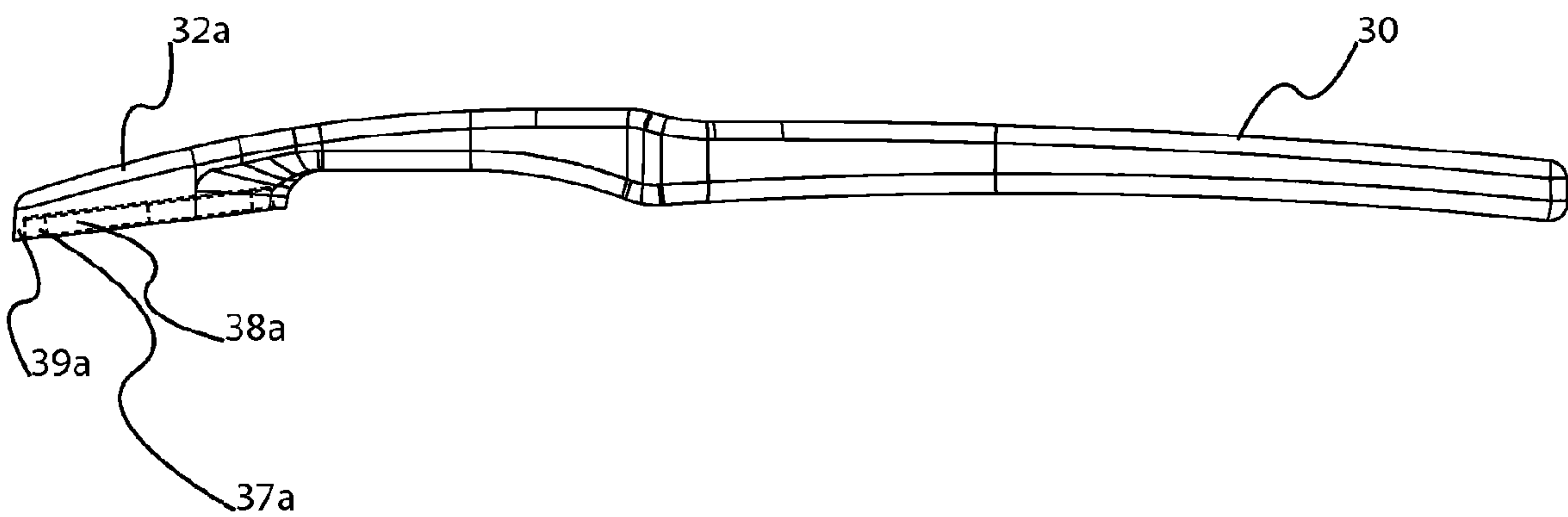
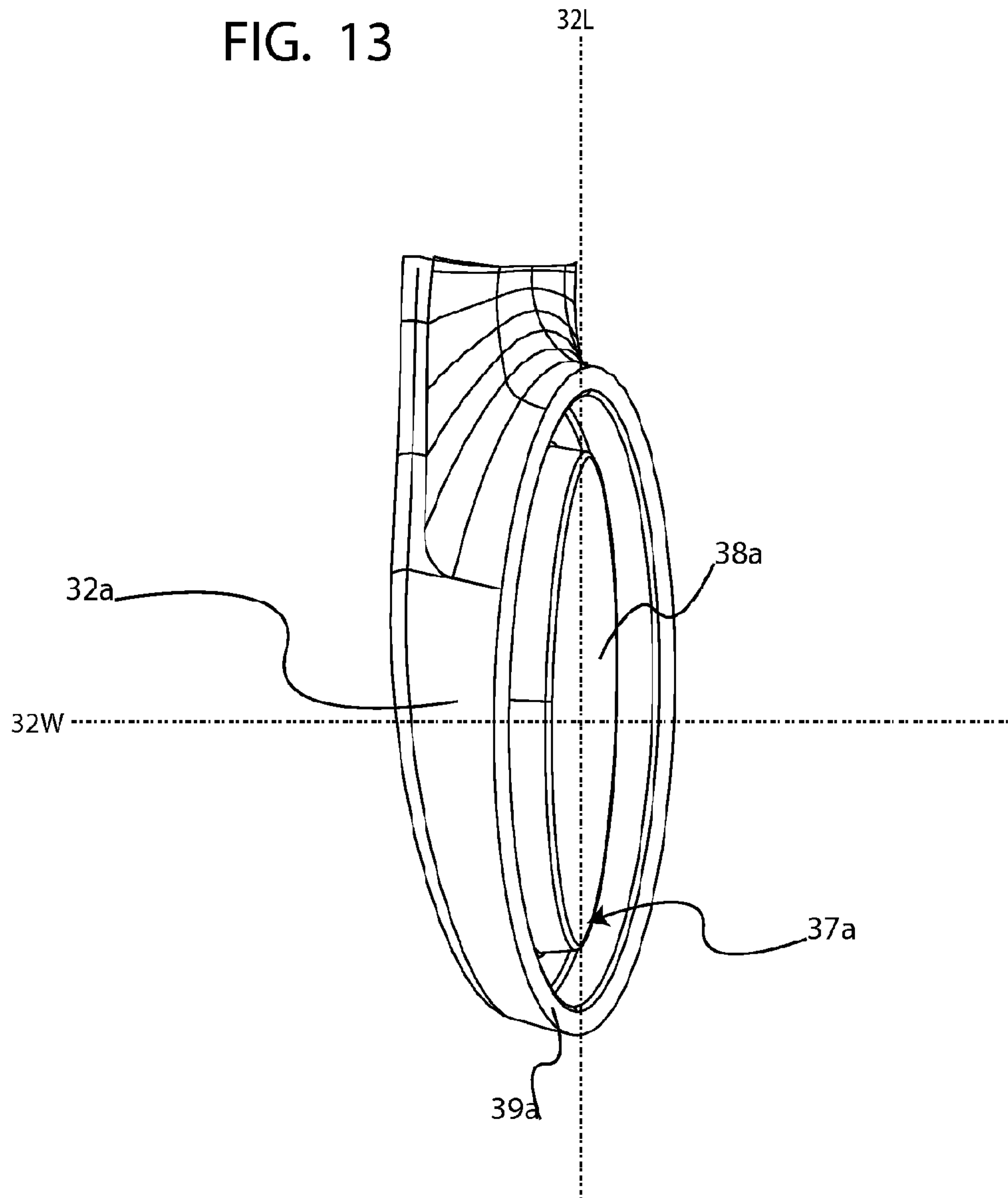


FIG. 12



10/16

FIG. 13



11/16

FIG. 14A

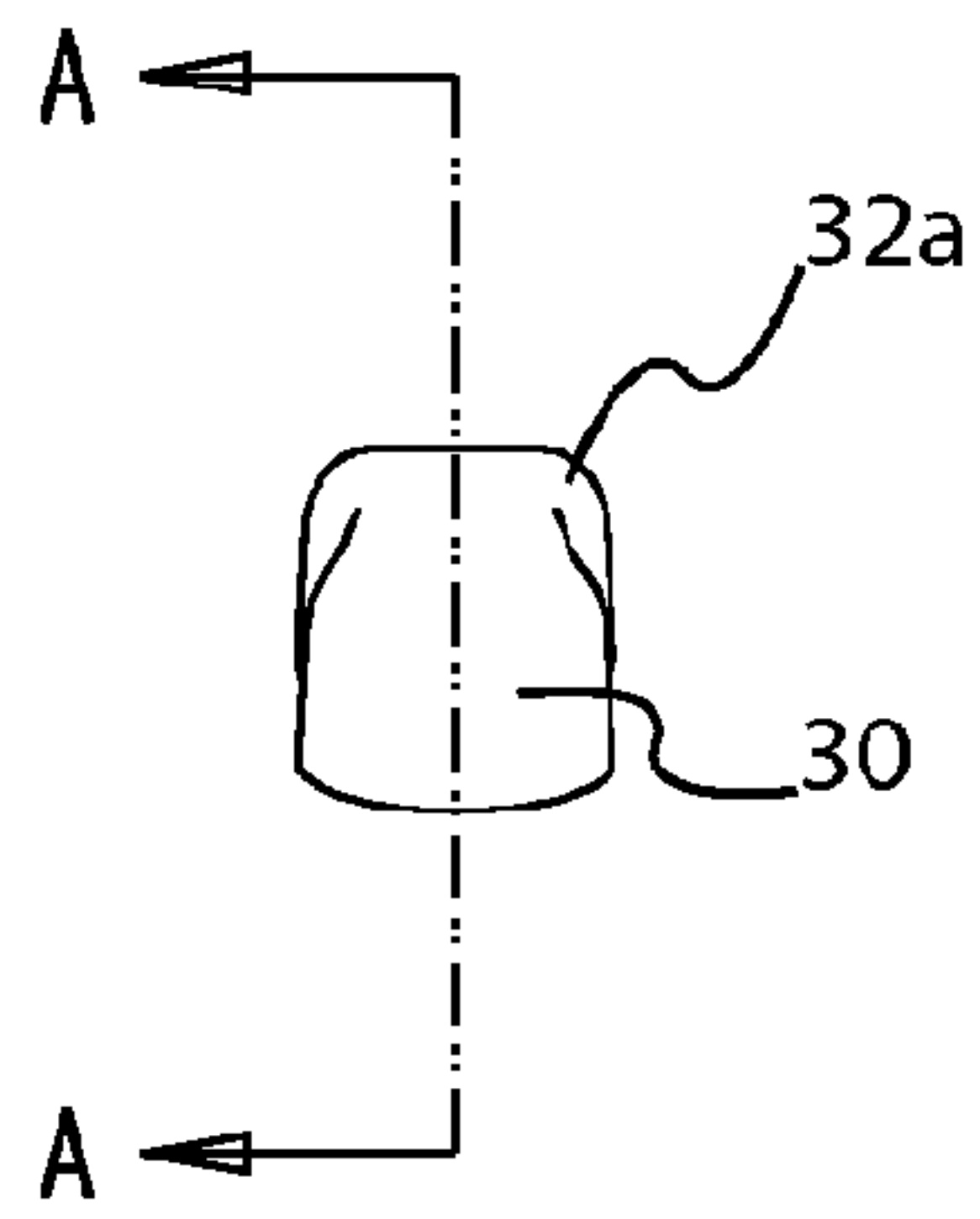


FIG. 14B

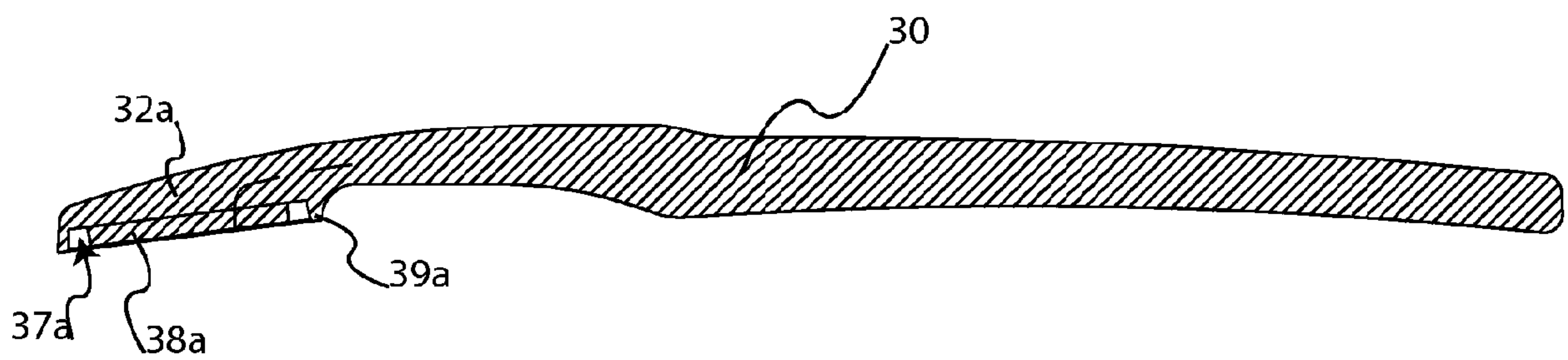


FIG. 15A

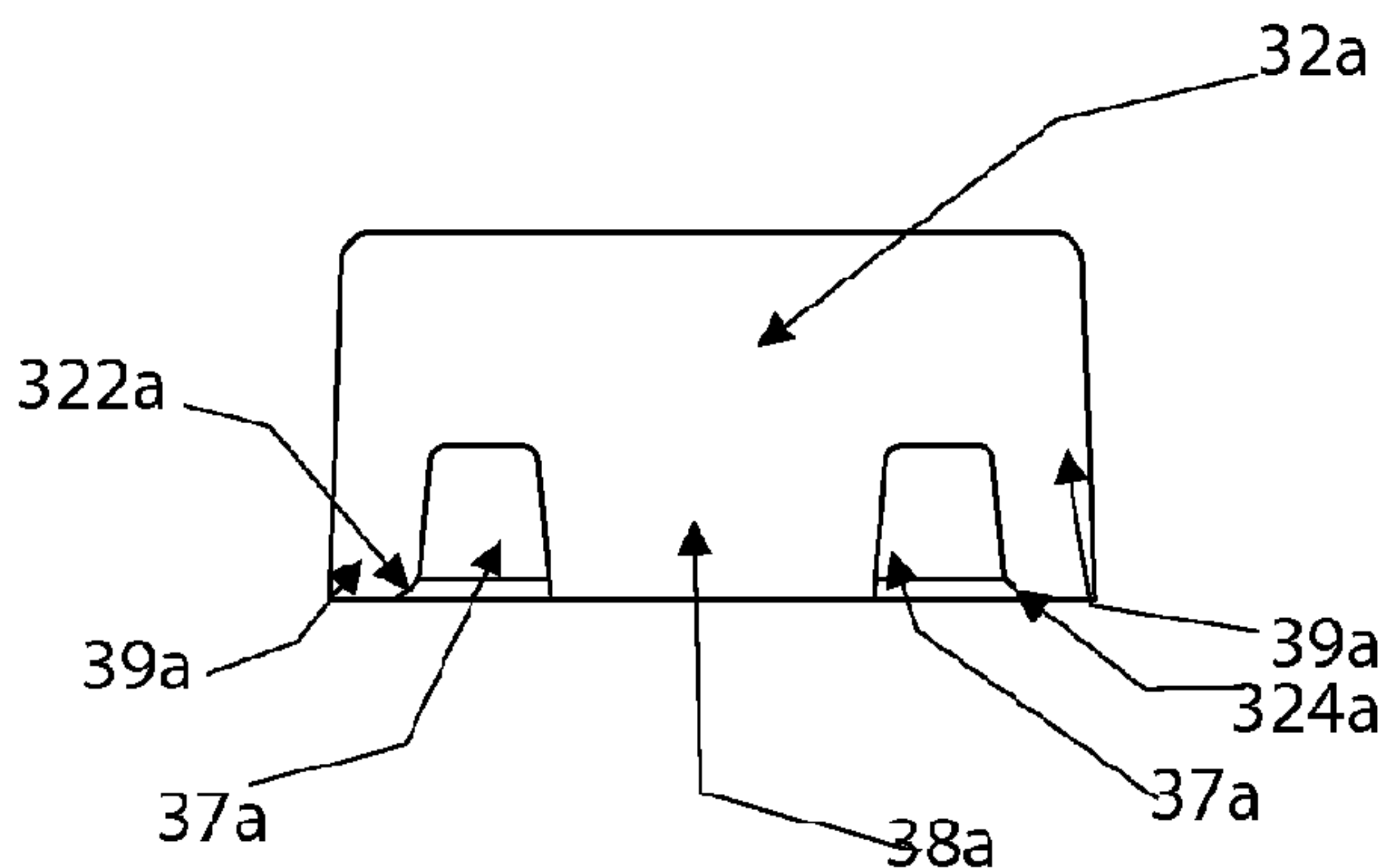


FIG. 15C

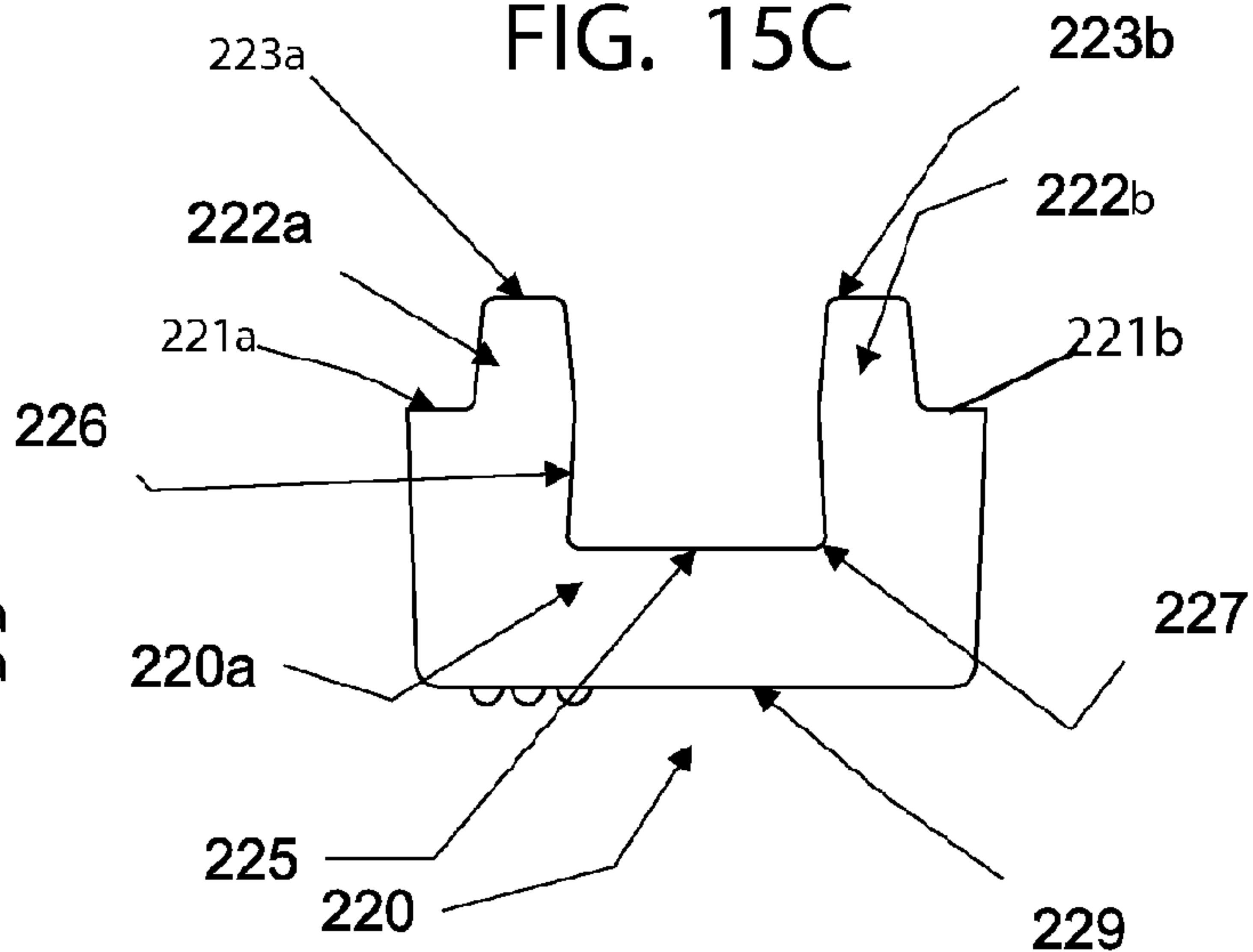


FIG. 15B

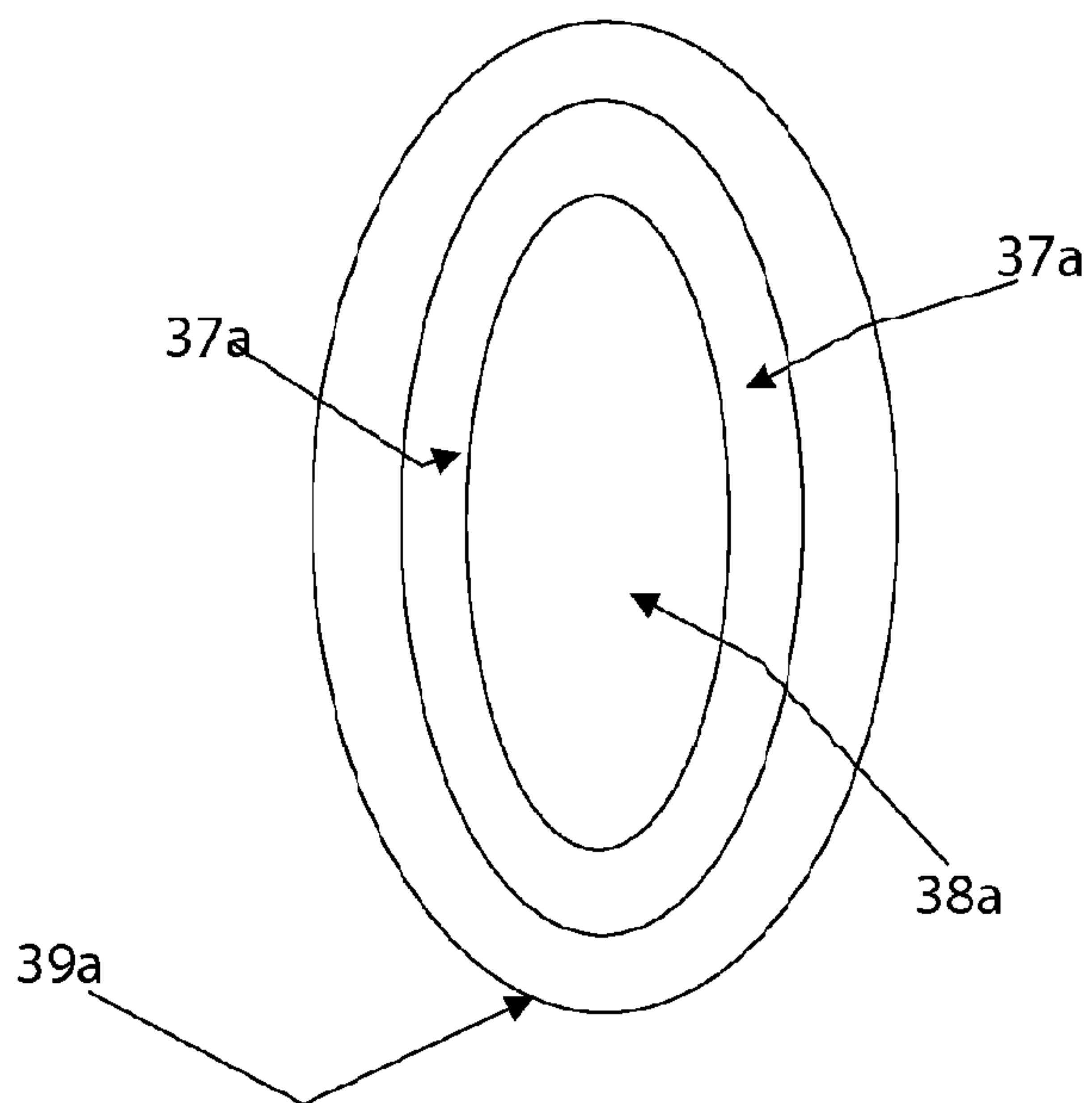
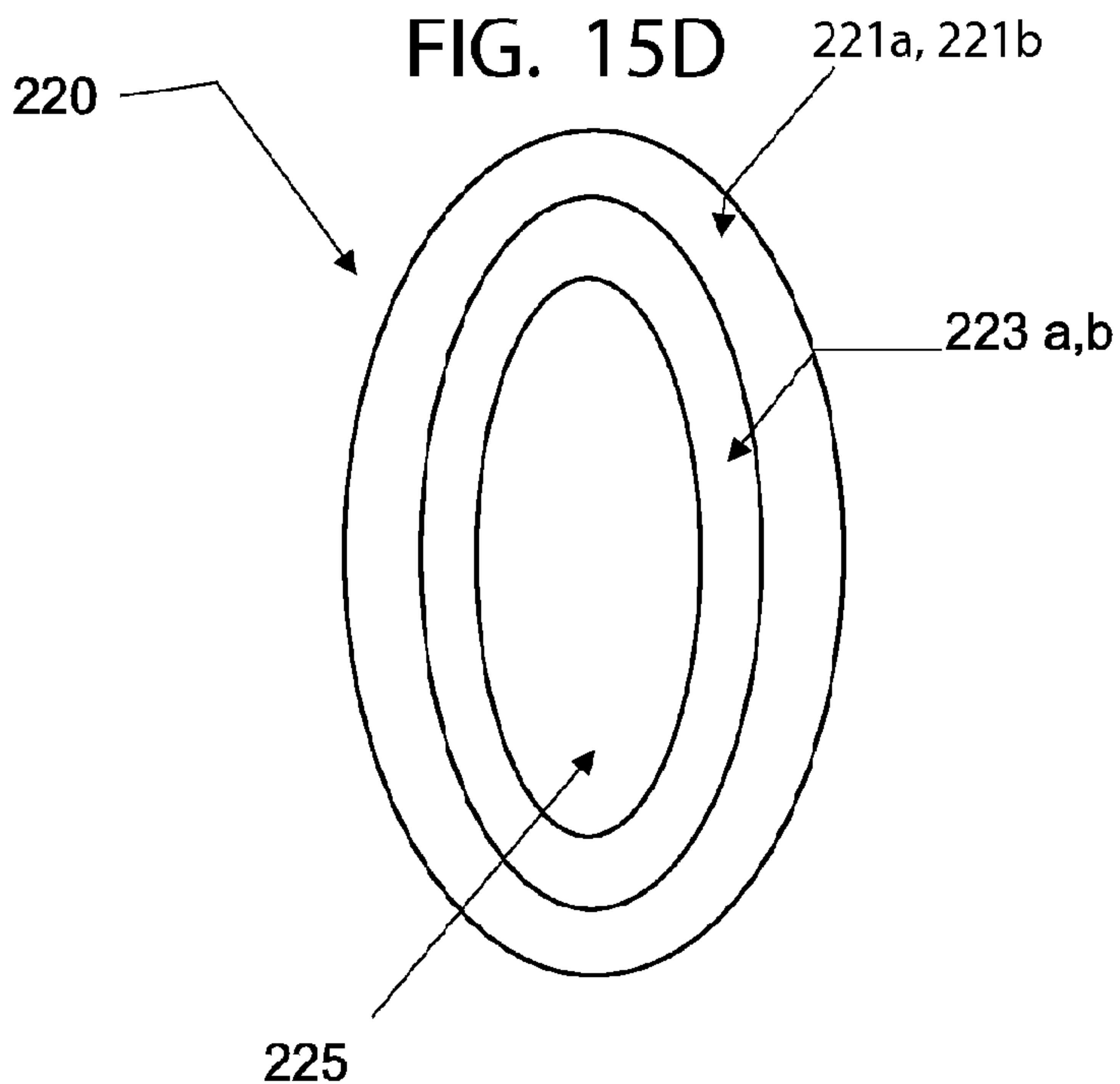


FIG. 15D



13/16

FIG. 16A

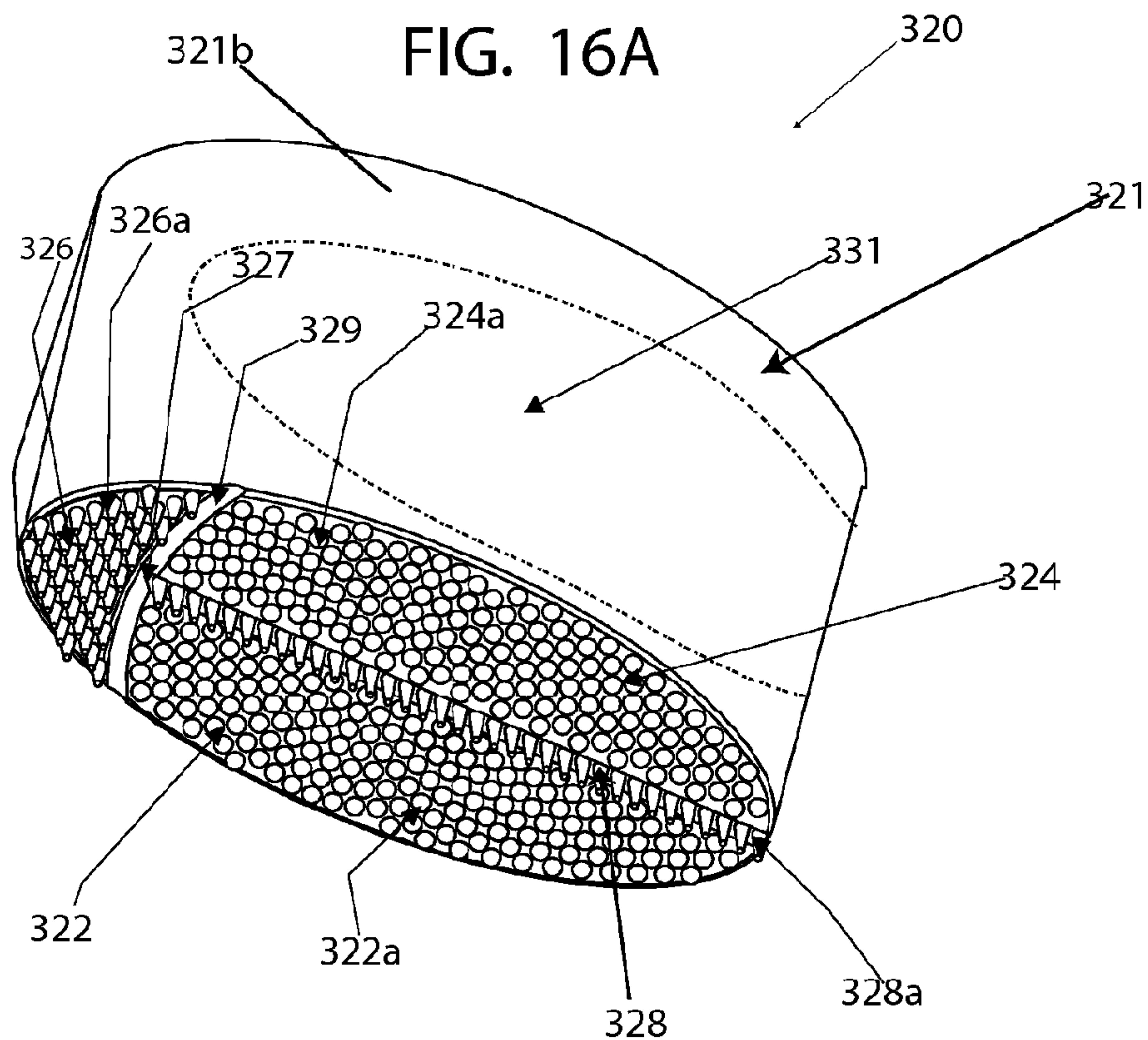


FIG. 16B

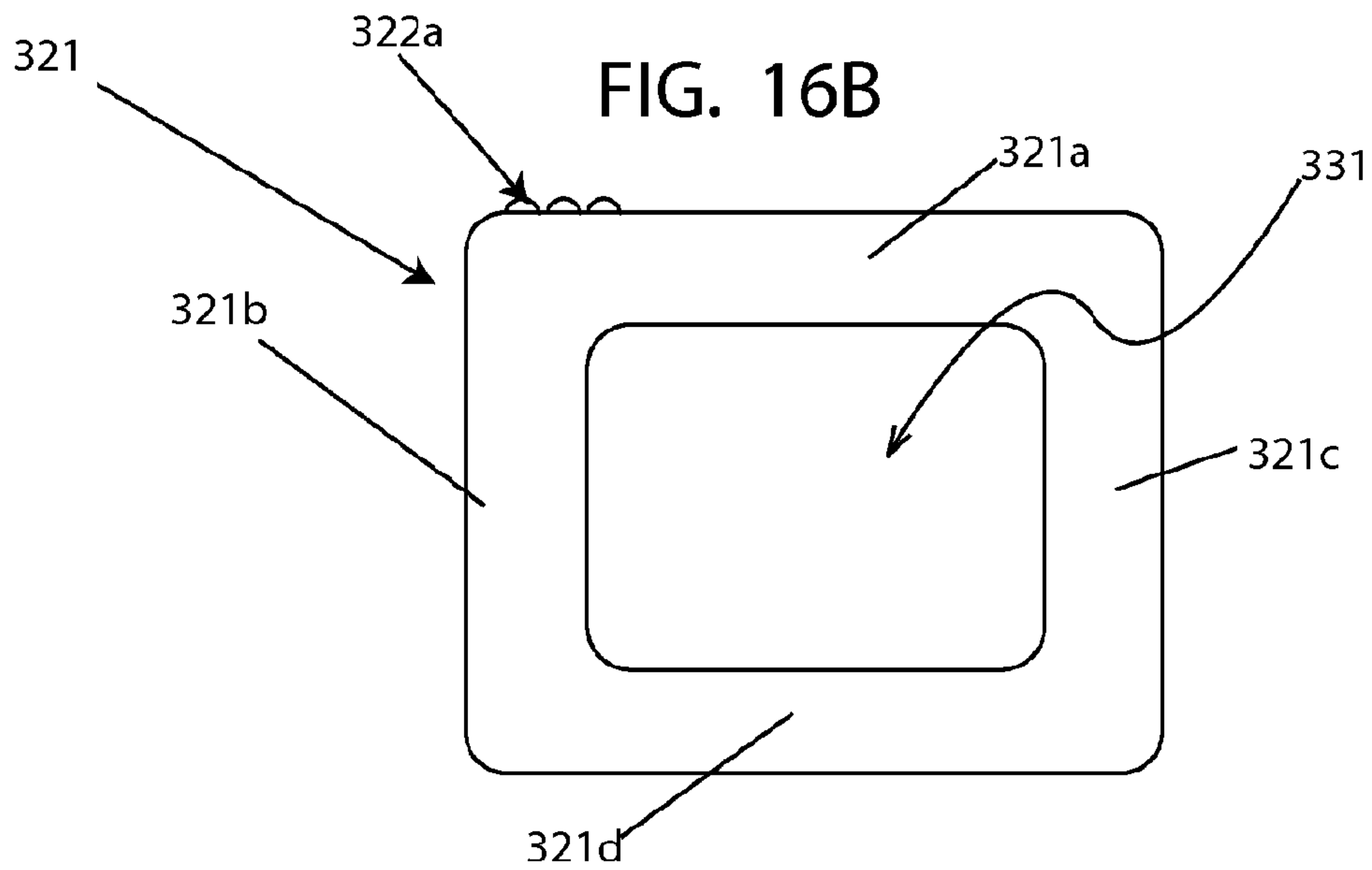


FIG. 17A

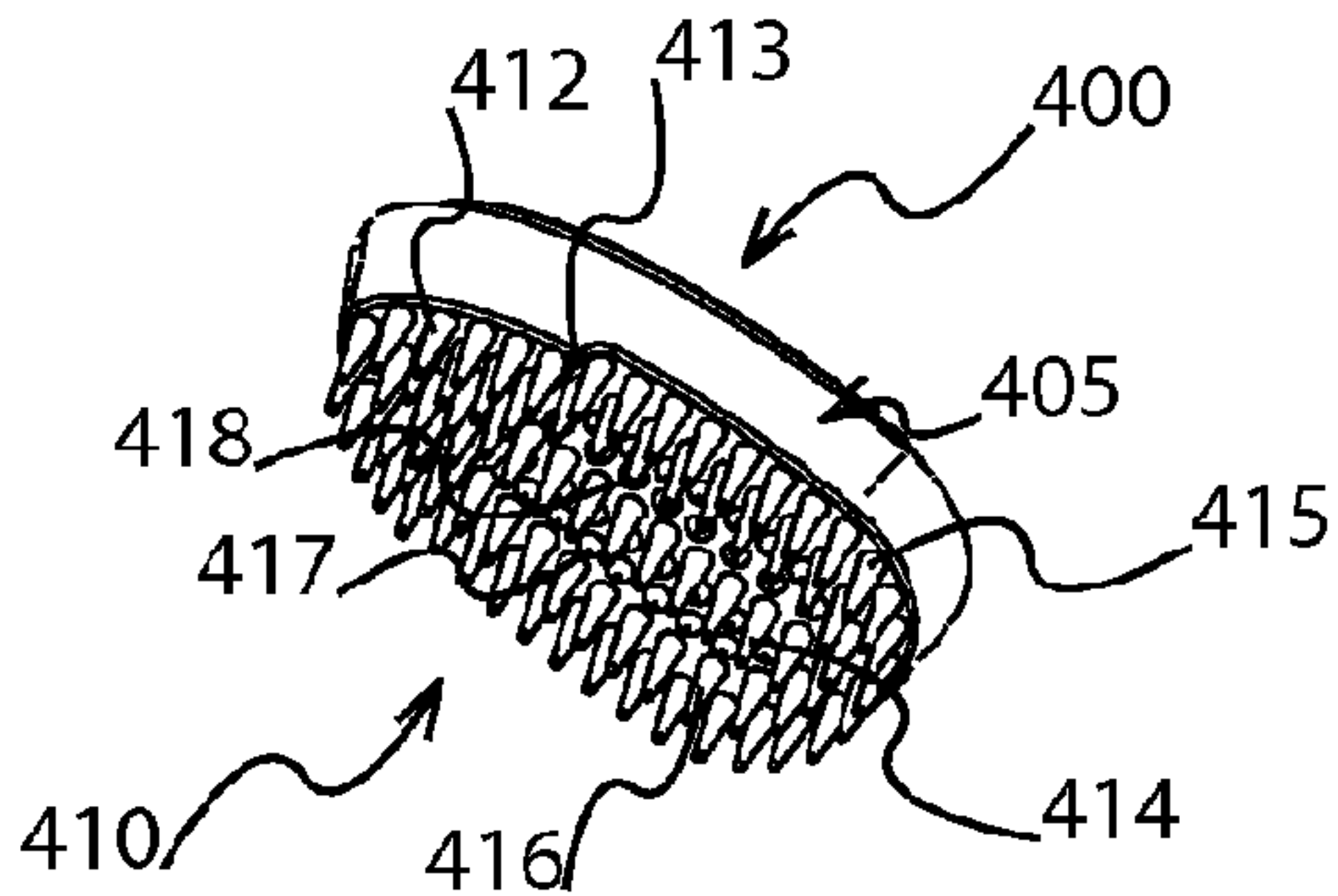


FIG. 17B

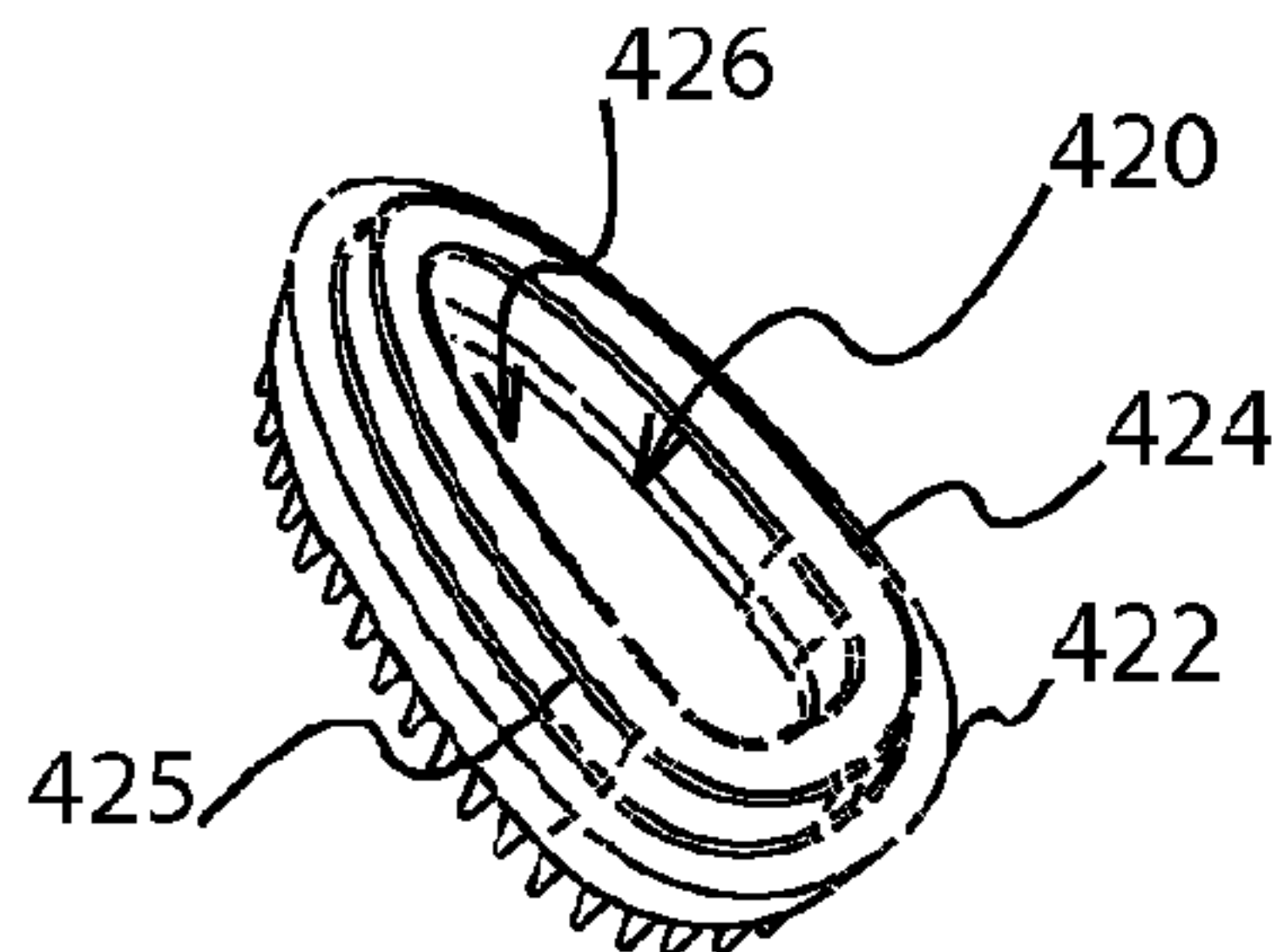


FIG. 17C

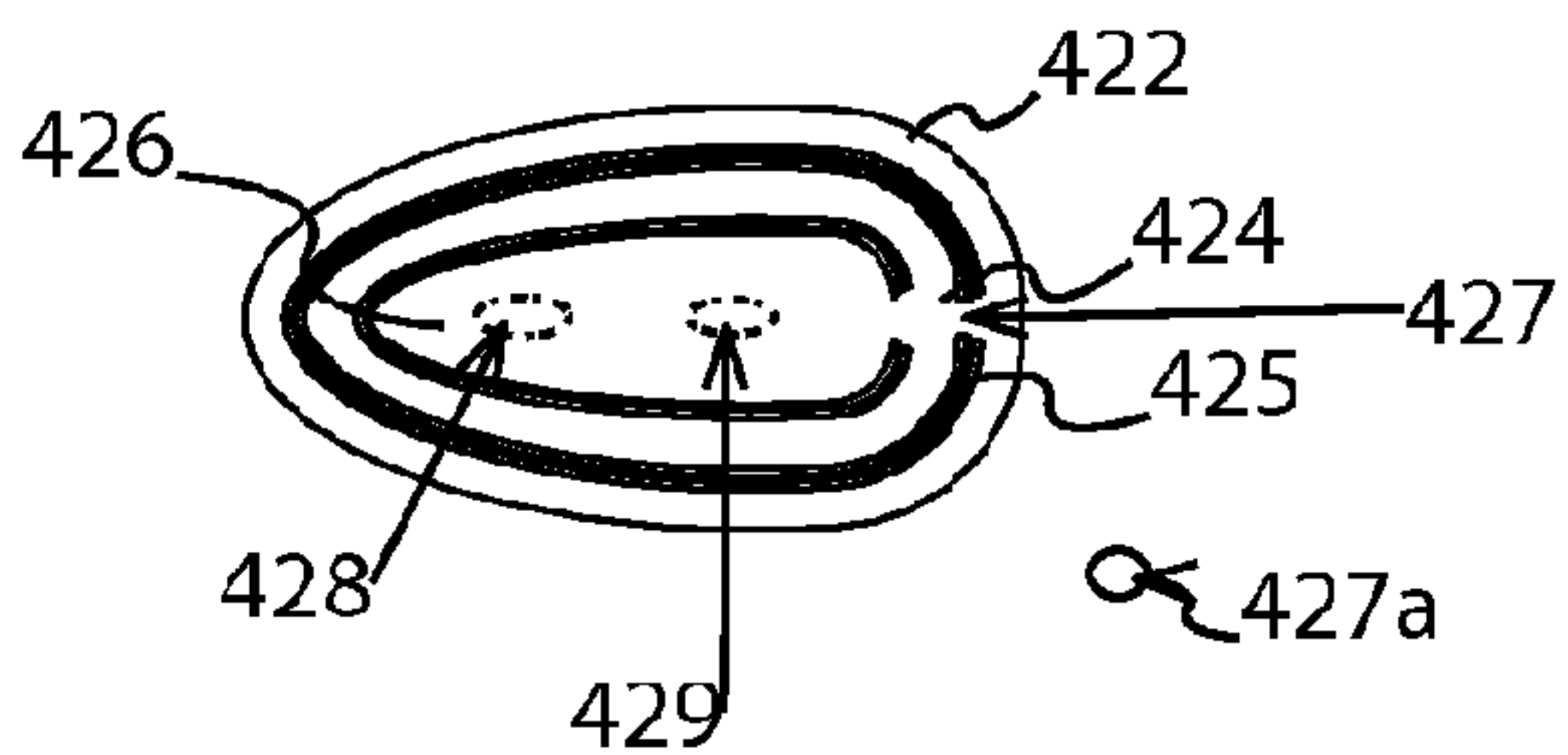


FIG. 17D

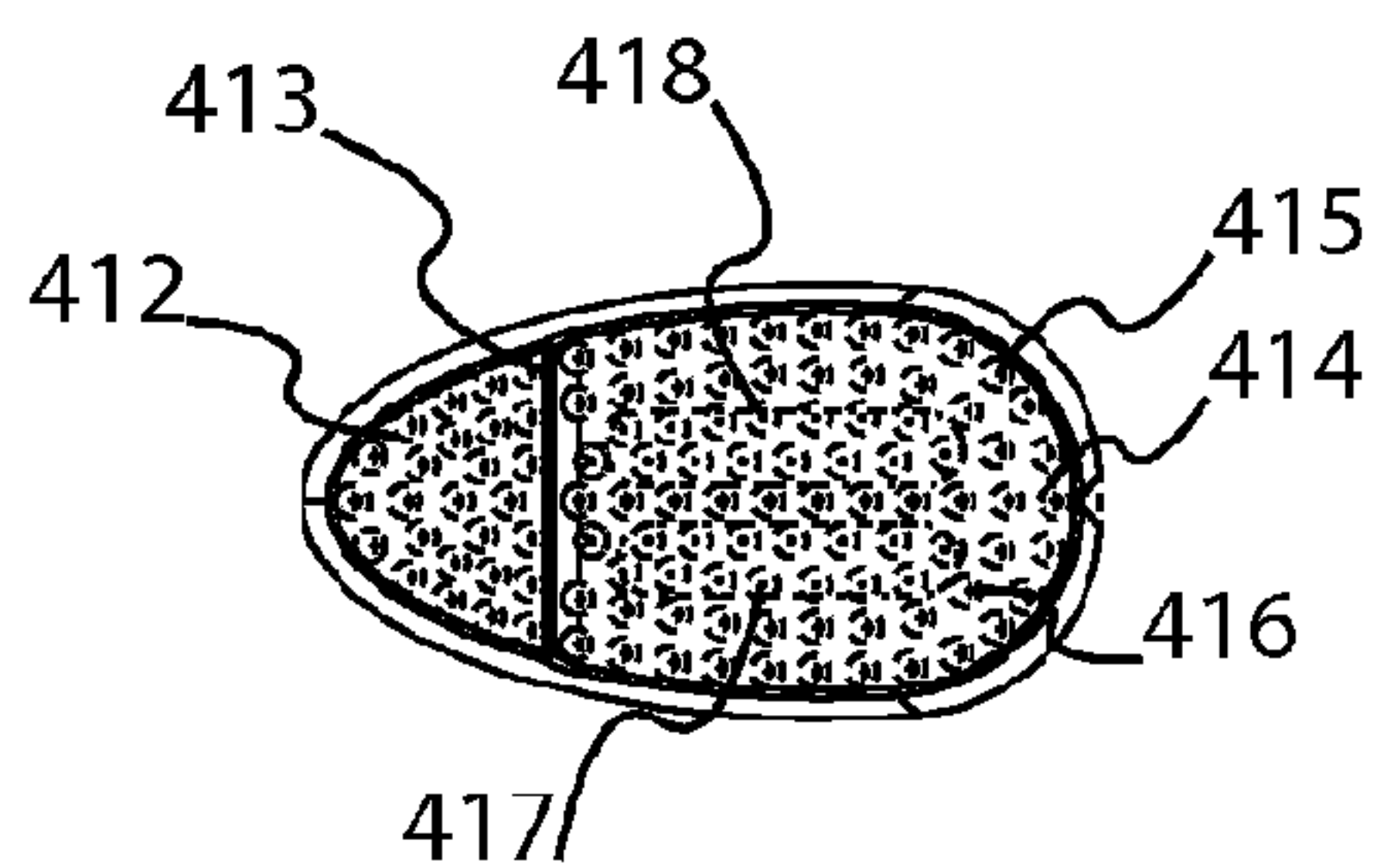


FIG. 17E

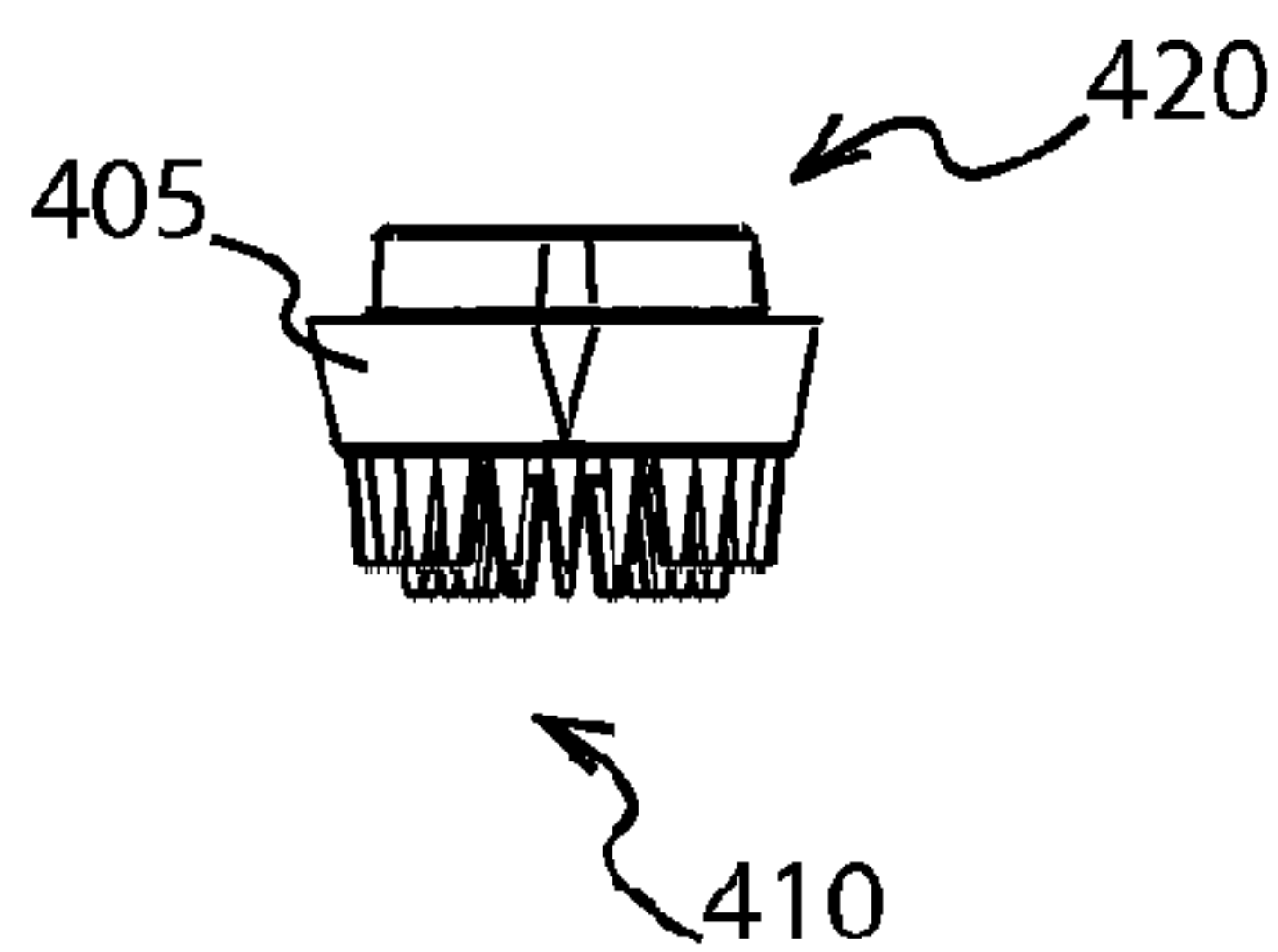


FIG. 17F

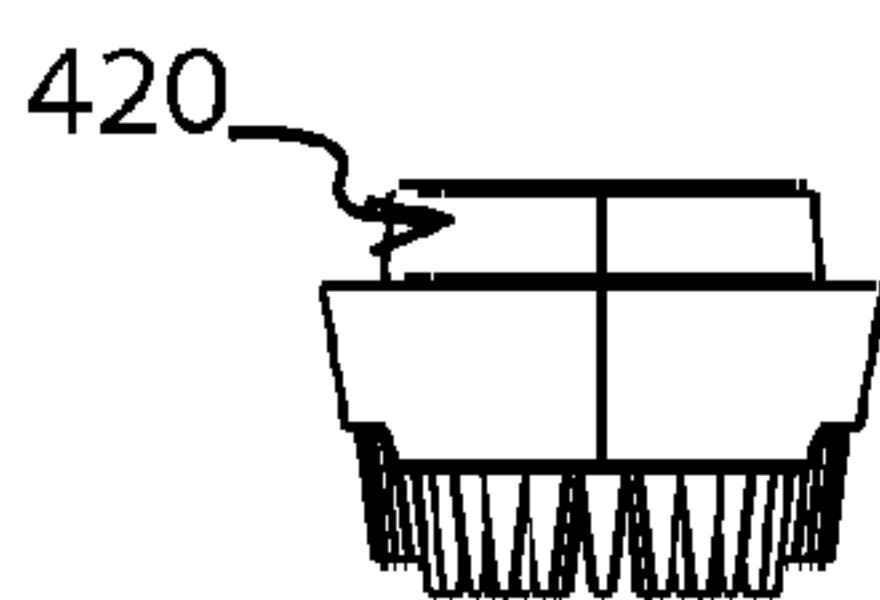


FIG. 17G

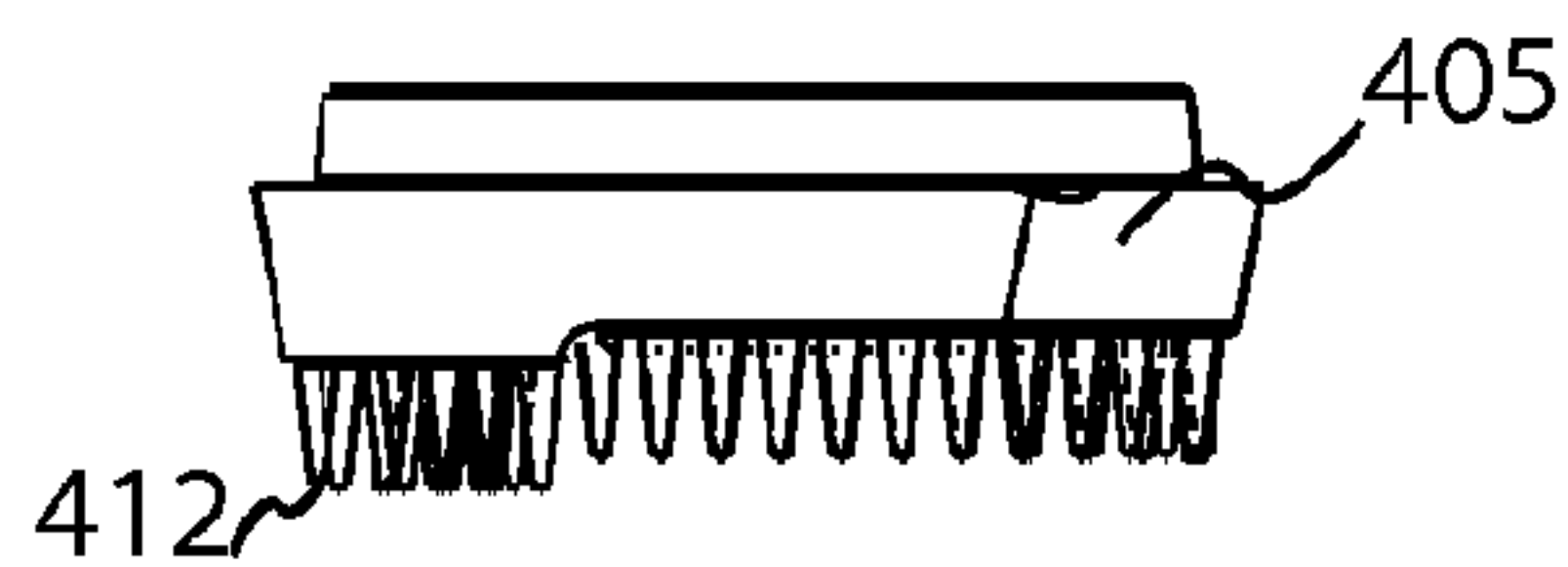
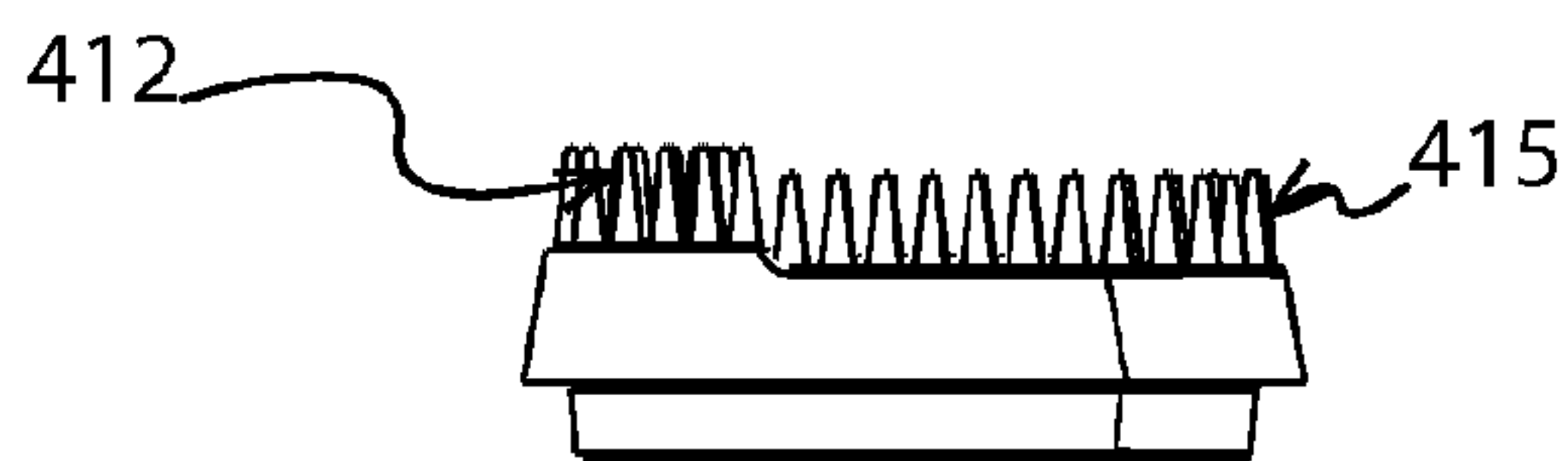


FIG. 17H



15/16

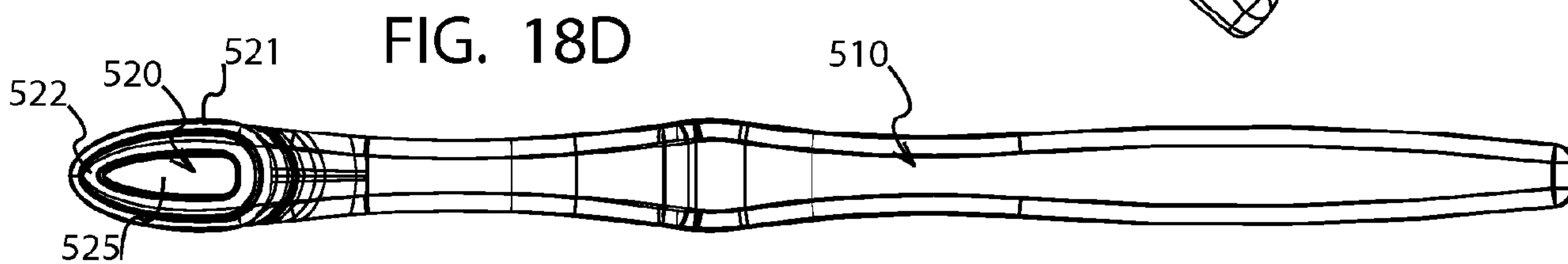
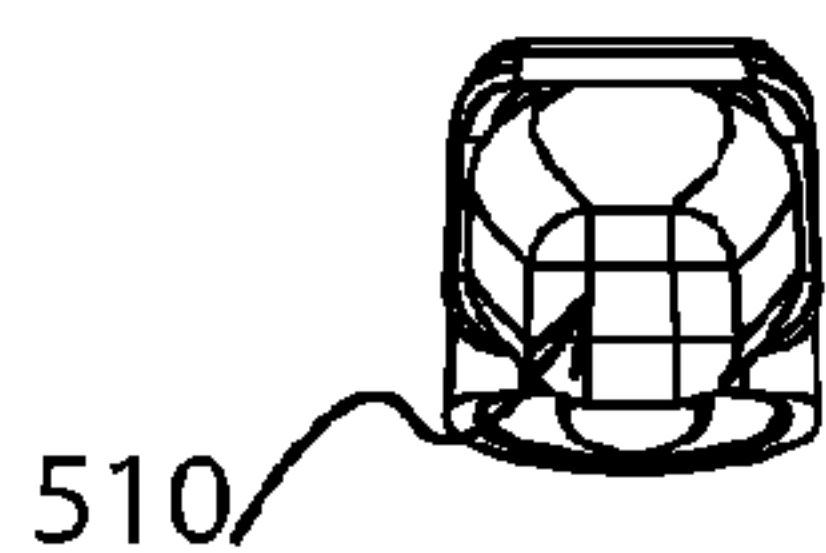
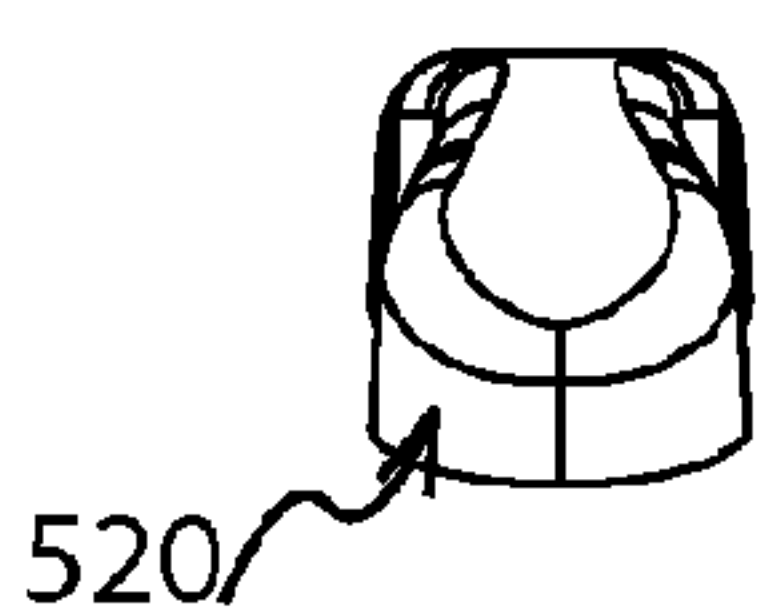
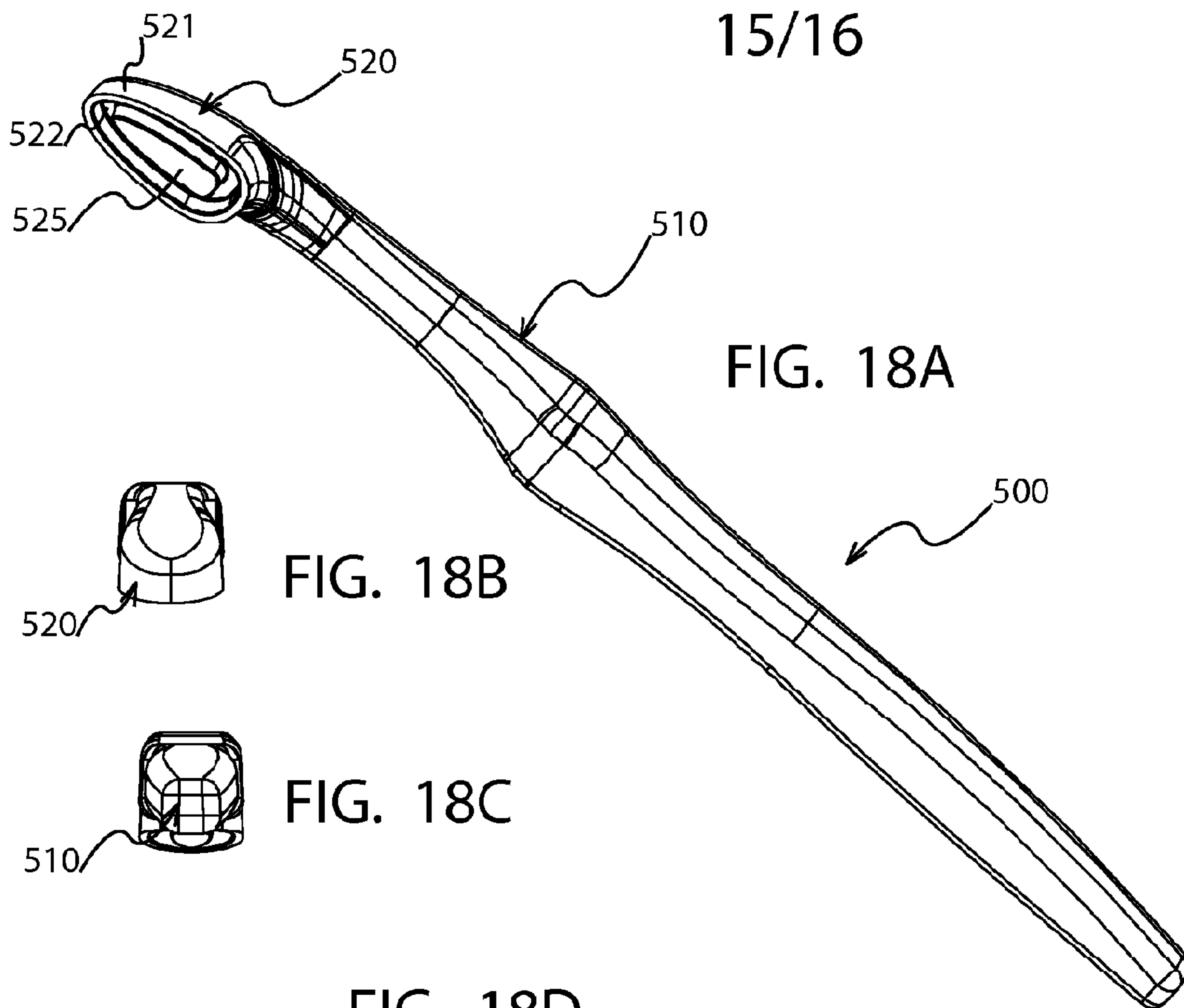


FIG. 18E

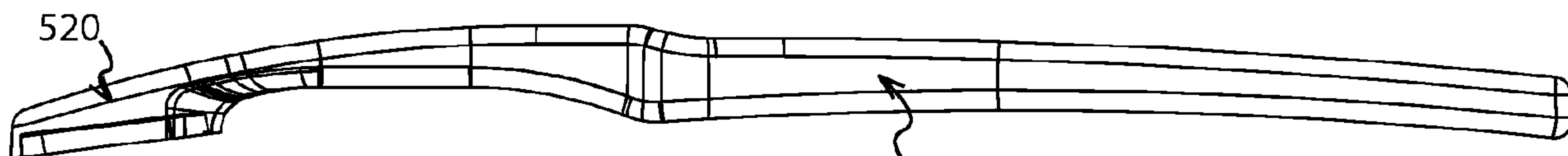
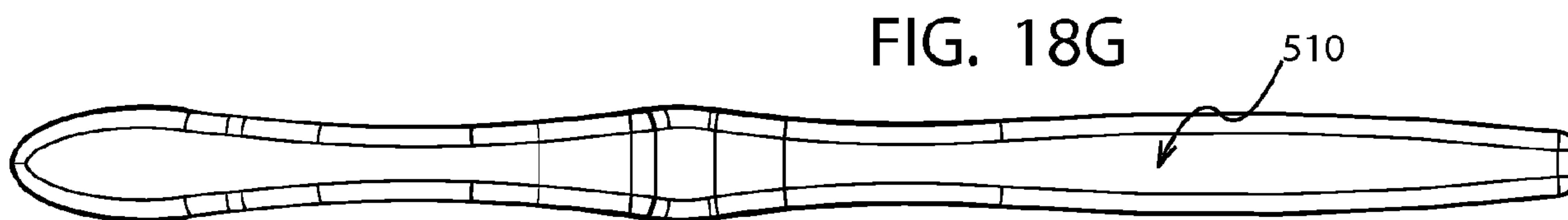
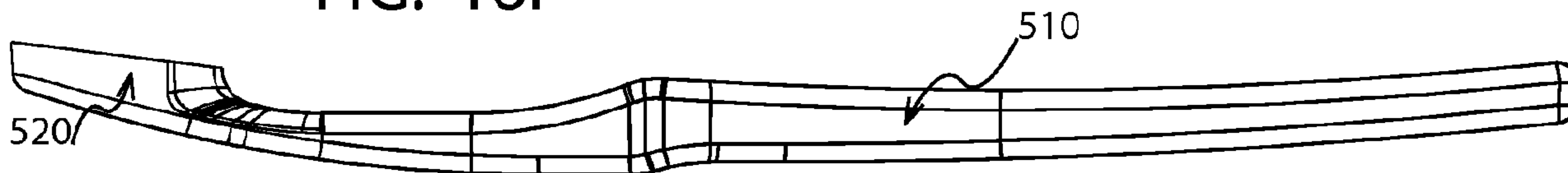


FIG. 18G



16/16

FIG. 19A

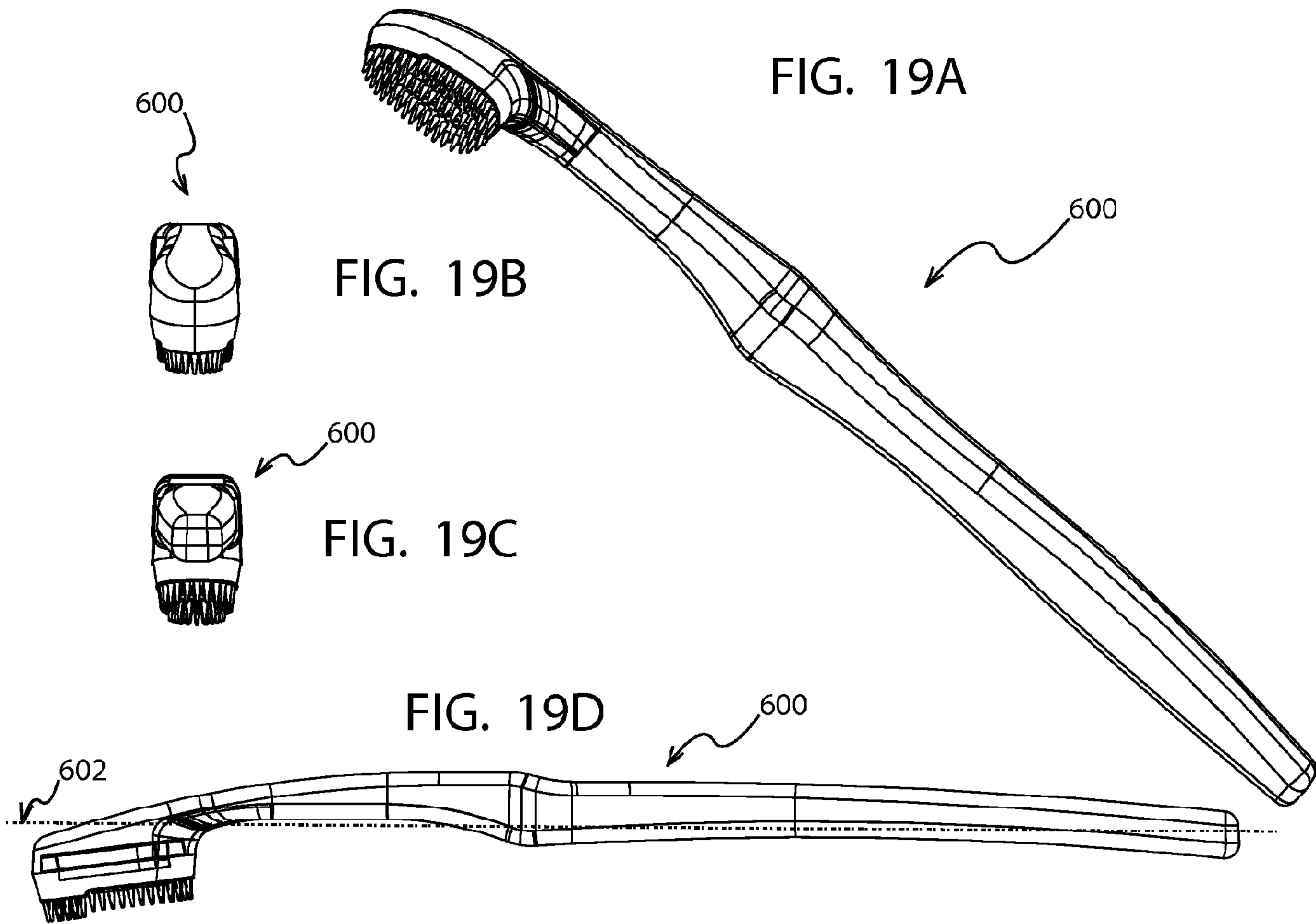


FIG. 19B

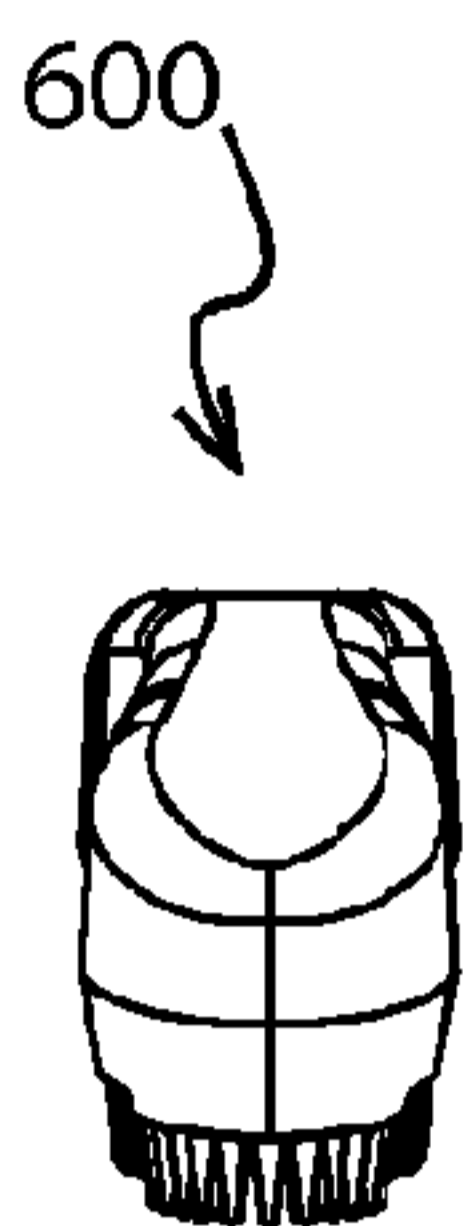


FIG. 19C

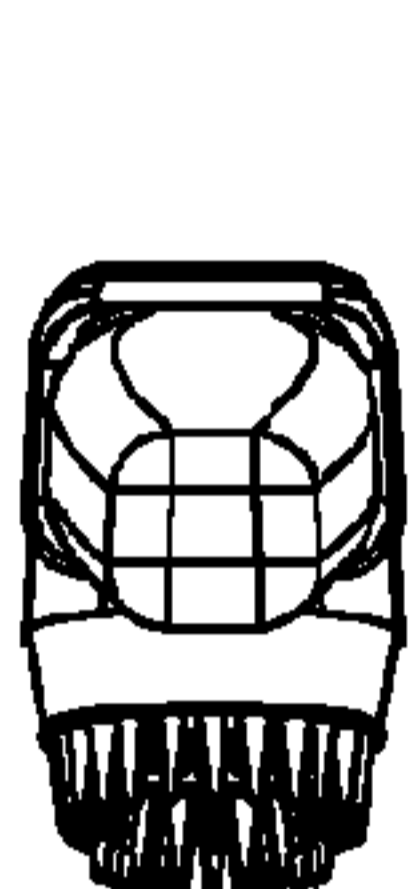


FIG. 19D

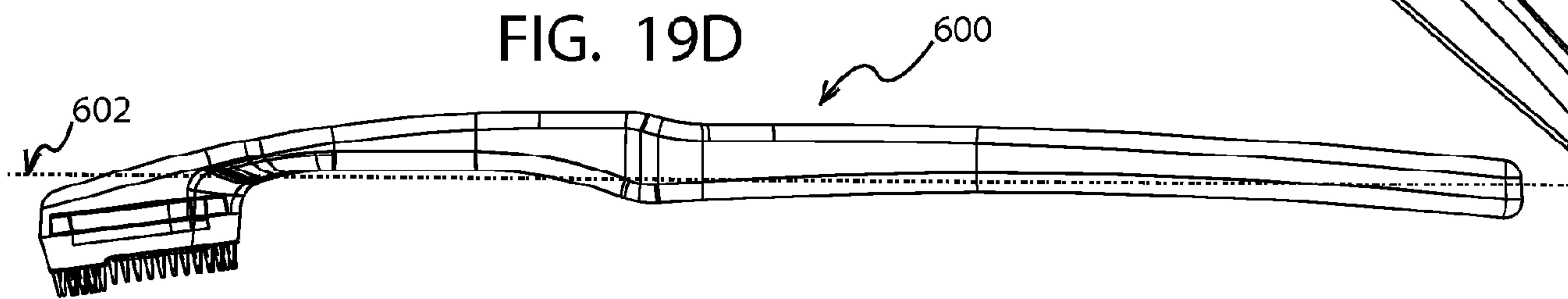


FIG. 19E

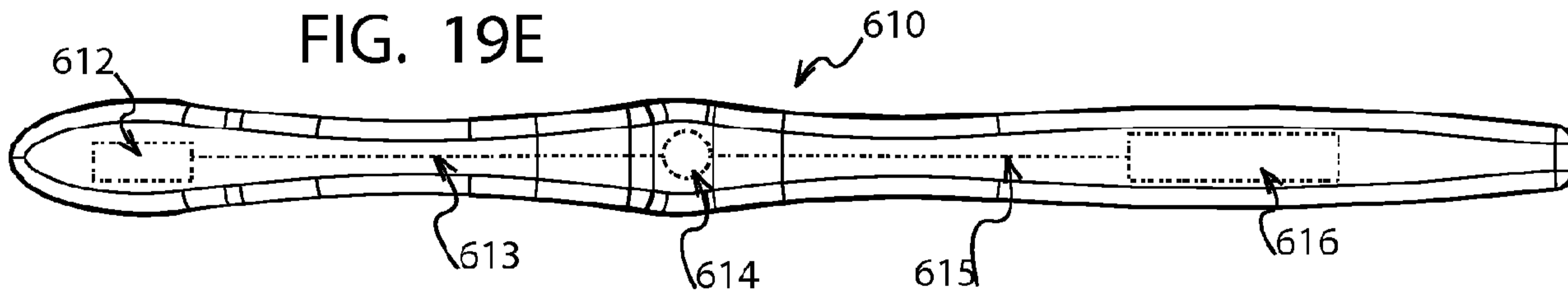


FIG. 19F

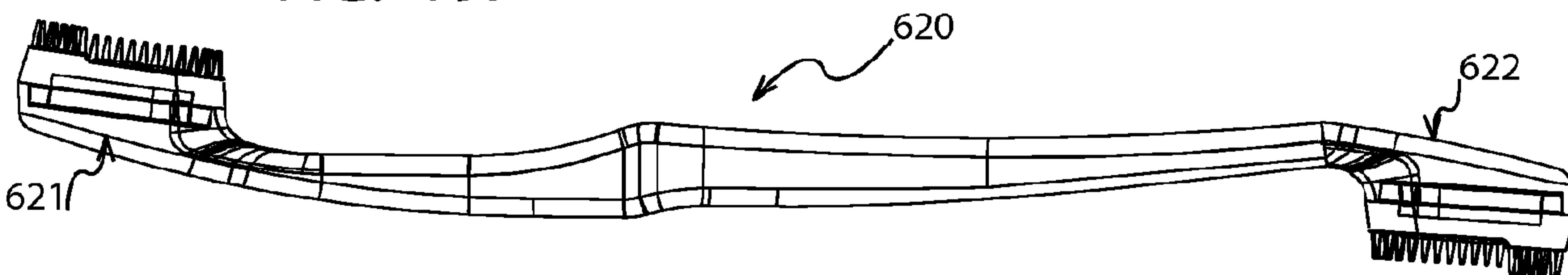


FIG. 19G



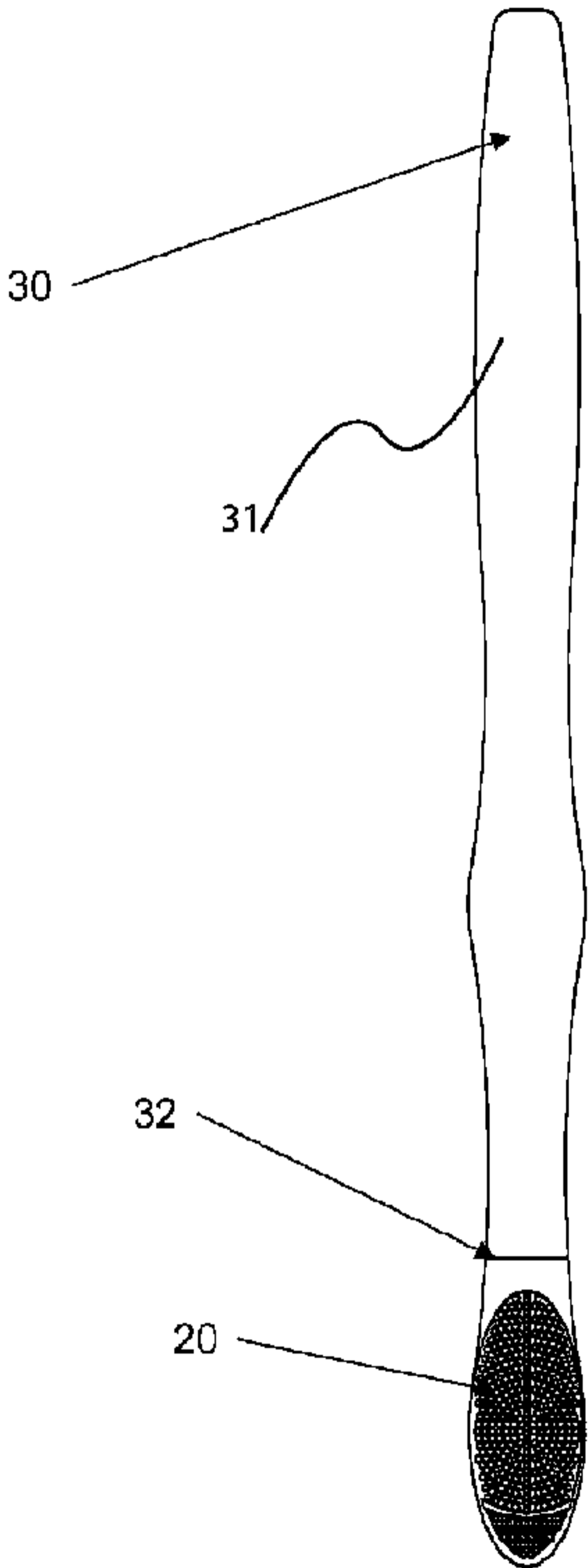


FIG. 1

