



US00D982155S

(12) **United States Design Patent**  
**Fei**

(10) **Patent No.:** **US D982,155 S**

(45) **Date of Patent:** **\*\* Mar. 28, 2023**

- (54) **RESPIRATOR WITH SHIELD**
- (71) Applicant: **Vitacore Industries Inc.**, Burnaby (CA)
- (72) Inventor: **Yang Fei**, Burnaby (CA)
- (73) Assignee: **Vitacore Industries Inc.**, Burnaby (CA)
- (\*\*) Term: **15 Years**
- (21) Appl. No.: **29/807,334**
- (22) Filed: **Sep. 10, 2021**
- (51) **LOC (14) Cl.** ..... **29-02**
- (52) **U.S. Cl.**  
USPC ..... **D24/110.2; D29/110**
- (58) **Field of Classification Search**  
USPC ..... D24/110, 110.1–110.6; D29/108, 110  
CPC . A41D 13/11; A41D 13/1107; A41D 13/1115;  
A41D 13/1123; A41D 13/113; A41D  
13/1138; A41D 13/1146; A41D 13/1153;  
A41D 13/1161; A41D 13/1169; A41D  
13/1176; A41D 13/1184; A61M 16/06;  
A62B 18/00; A62B 18/02; A62B 18/025;  
A62B 23/00  
See application file for complete search history.

D416,323 S \* 11/1999 Henderson ..... D24/110.1  
 6,102,039 A \* 8/2000 Springett ..... A41D 13/1146  
 128/206.12  
 D443,927 S \* 6/2001 Chen ..... D24/110.1  
 (Continued)

*Primary Examiner* — Richard Kearney  
*Assistant Examiner* — Michael Hoffman  
 (74) *Attorney, Agent, or Firm* — Young Law Firm, P.C.

(57) **CLAIM**

The ornamental design for a respirator with shield, as shown and described.

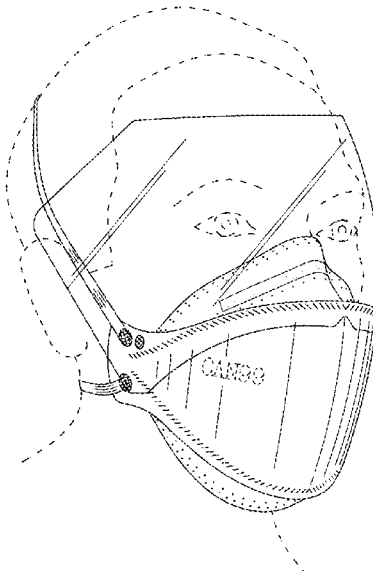
**DESCRIPTION**

FIG. 1 is a front perspective view of the respirator with shield showing the present design;  
 FIG. 2 is a front view of the respirator with shield shown in FIG. 1;  
 FIG. 3 is a rear view of the respirator with shield shown in FIG. 1;  
 FIG. 4 is a left view of the respirator with shield shown in FIG. 1;  
 FIG. 5 is a right view of the respirator with shield shown in FIG. 1;  
 FIG. 6 is a top view of the respirator with shield shown in FIG. 1;  
 FIG. 7 is a bottom view of the respirator with shield shown in FIG. 1;  
 FIG. 8 is a front perspective view of the respirator with shield shown in FIG. 1 shown in a state of use.  
 FIG. 9 is a front view of the respirator with shield shown in FIG. 1 in the folded position; and,  
 FIG. 10 is a rear view of the respirator with shield shown in FIG. 1 in the folded position.  
 The broken lines shown in the drawings illustrate environmental subject matter and form no part of the claimed design.

(56) **References Cited**  
 U.S. PATENT DOCUMENTS

2,056,753 A \* 10/1936 Wagner ..... A41D 13/11  
 D24/110.2  
 4,944,294 A \* 7/1990 Borek, Jr. .... A62B 18/082  
 128/201.15  
 5,020,533 A \* 6/1991 Hubbard ..... A41D 13/1115  
 2/427  
 D319,111 S \* 8/1991 Sandel ..... D24/110.2  
 5,307,796 A \* 5/1994 Kronzer ..... A41D 13/1146  
 128/206.16  
 D355,714 S \* 2/1995 Hubbard ..... D24/110.2  
 5,765,556 A \* 6/1998 Brunson ..... A41D 13/1123  
 128/206.28

**1 Claim, 5 Drawing Sheets**



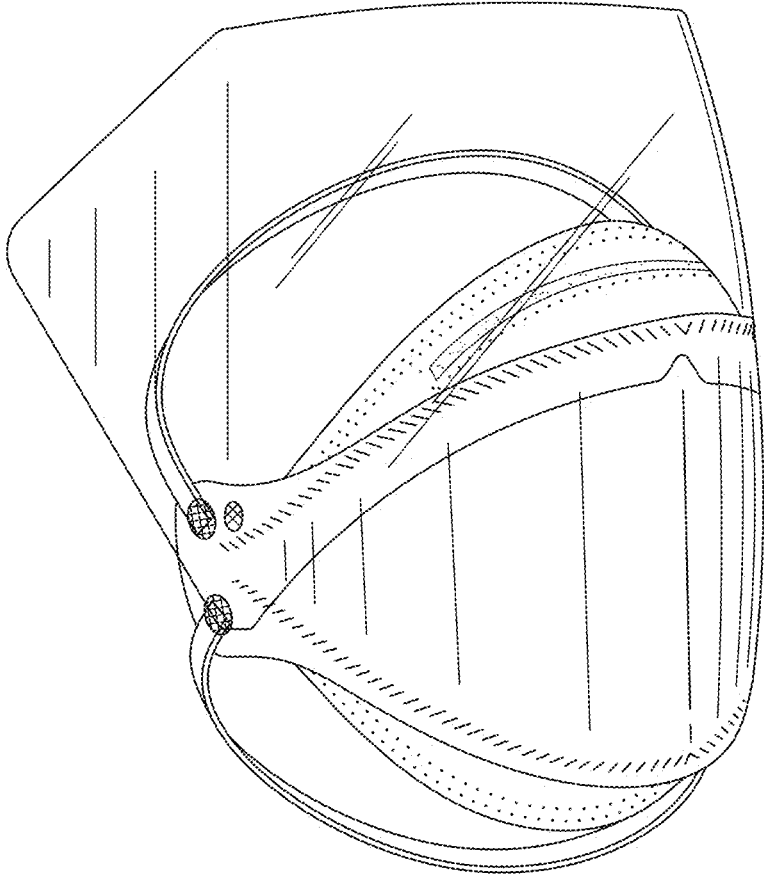
(56)

**References Cited**

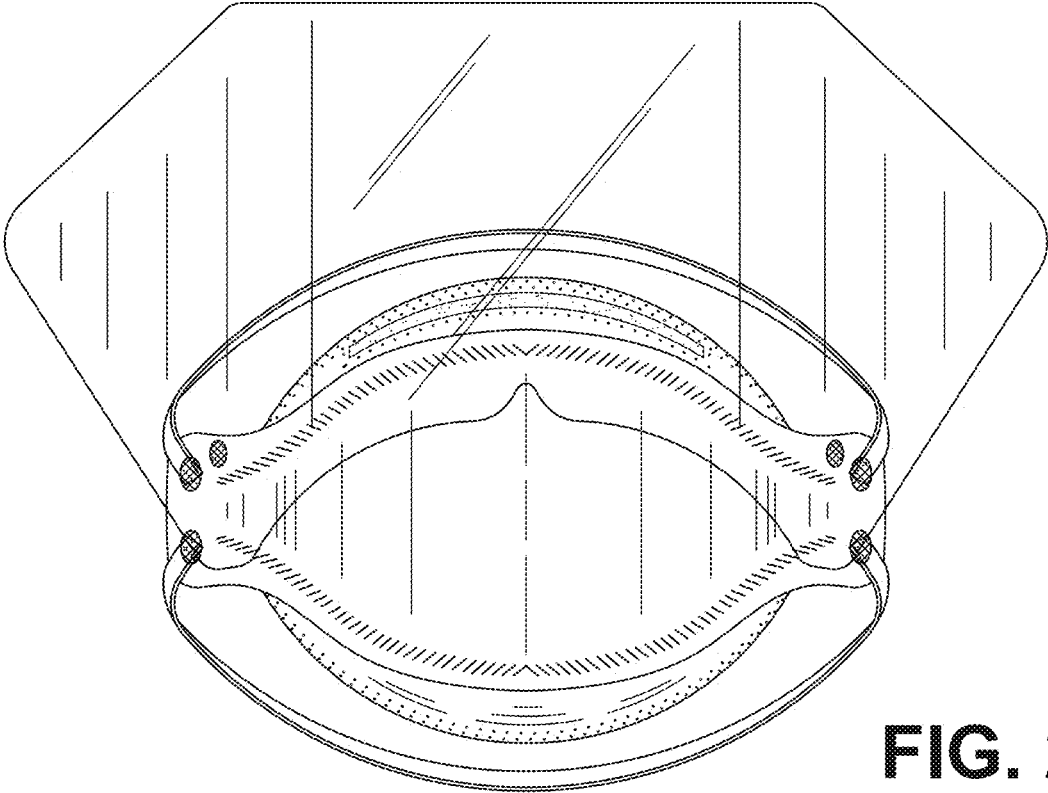
U.S. PATENT DOCUMENTS

6,394,090 B1 \* 5/2002 Chen ..... A41D 13/113  
128/206.16  
D519,208 S \* 4/2006 Wolfe ..... D24/110.1  
7,117,868 B1 \* 10/2006 Japuntich ..... A62B 18/025  
128/205.27  
D620,104 S \* 7/2010 Curran ..... D24/110.1  
11,213,080 B2 \* 1/2022 Henderson ..... A41D 13/1161  
D949,328 S \* 4/2022 Boyé ..... D24/110.1  
D951,432 S \* 5/2022 Dominion ..... D29/108  
D968,589 S \* 11/2022 Osorio ..... D29/108

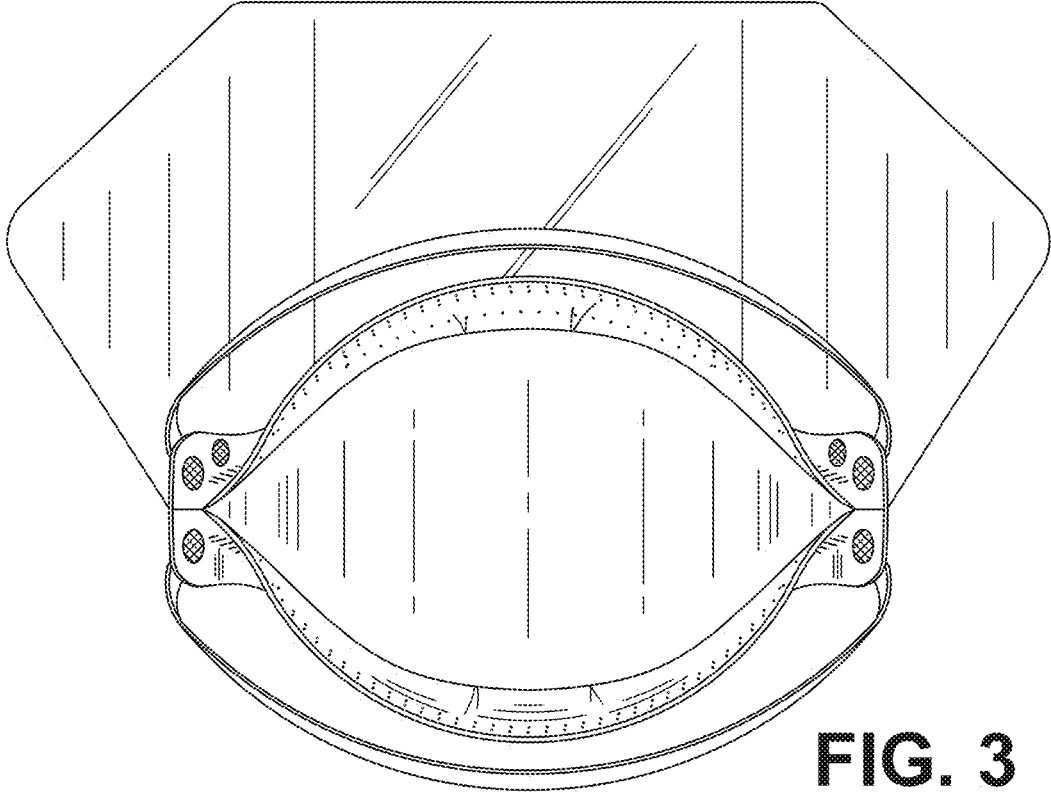
\* cited by examiner



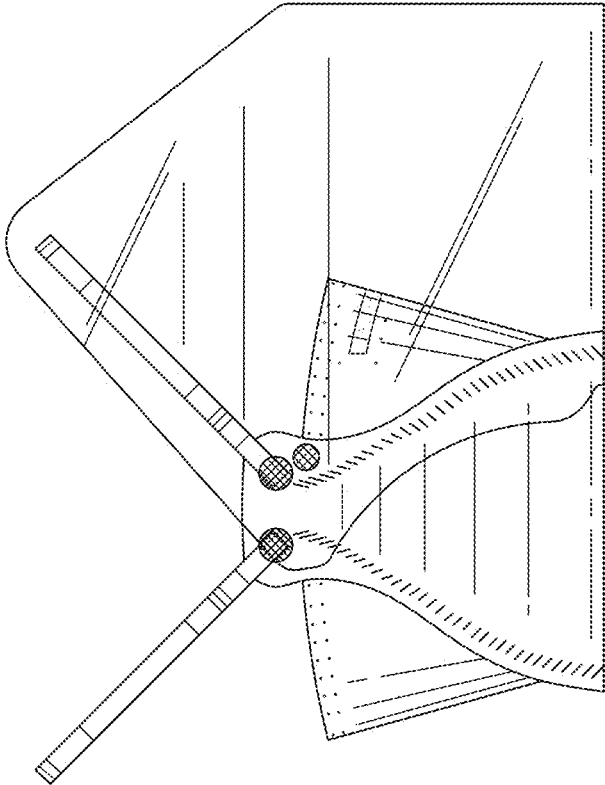
**FIG. 1**



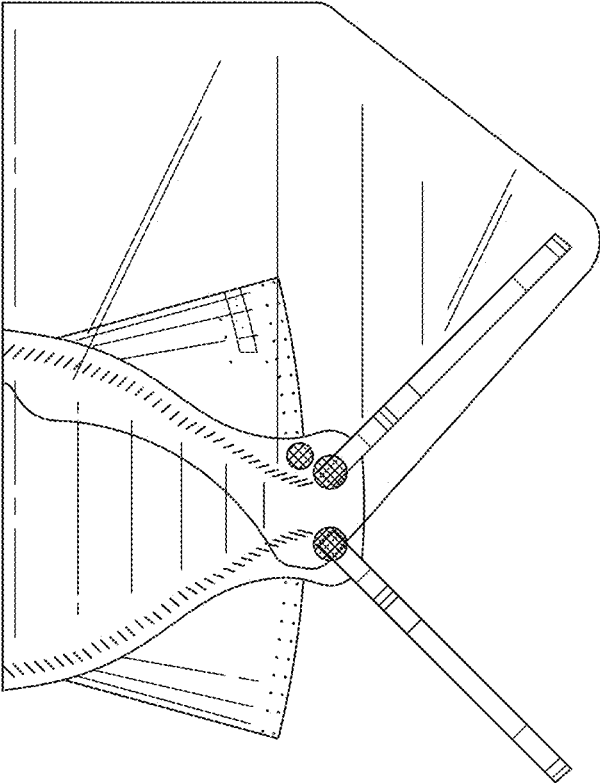
**FIG. 2**



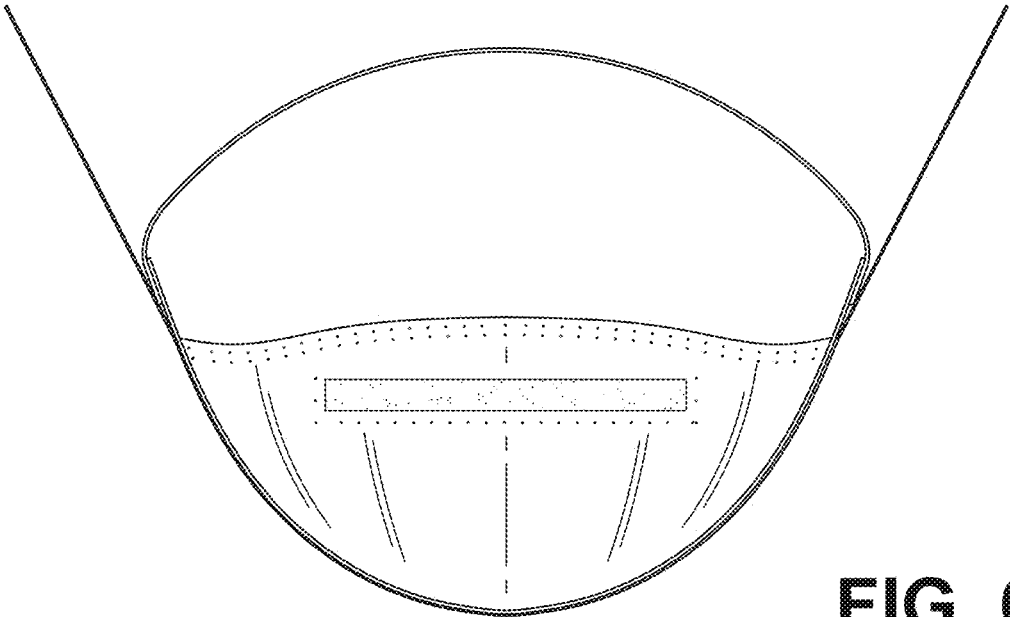
**FIG. 3**



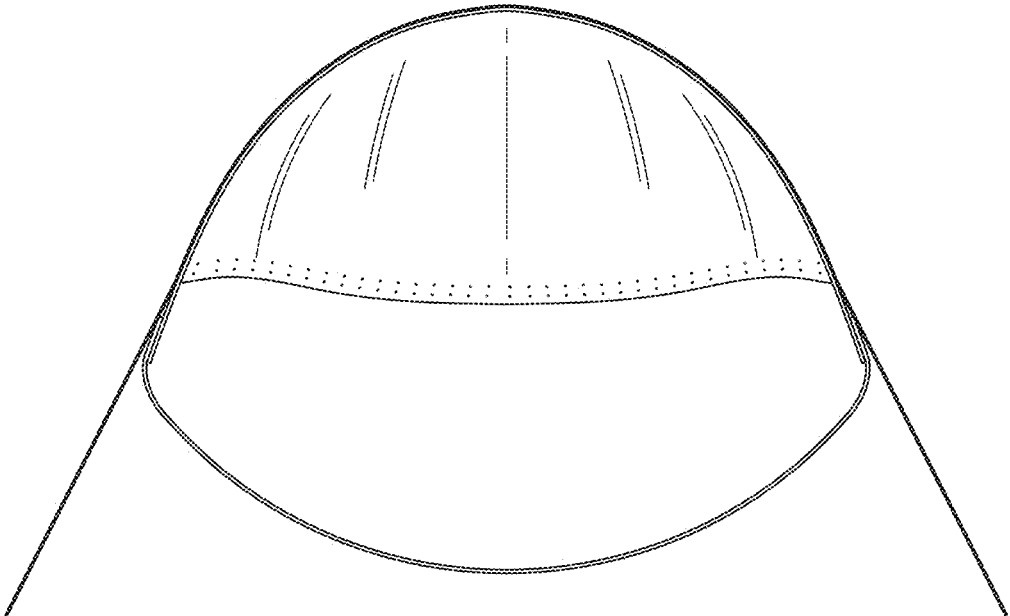
**FIG. 4**



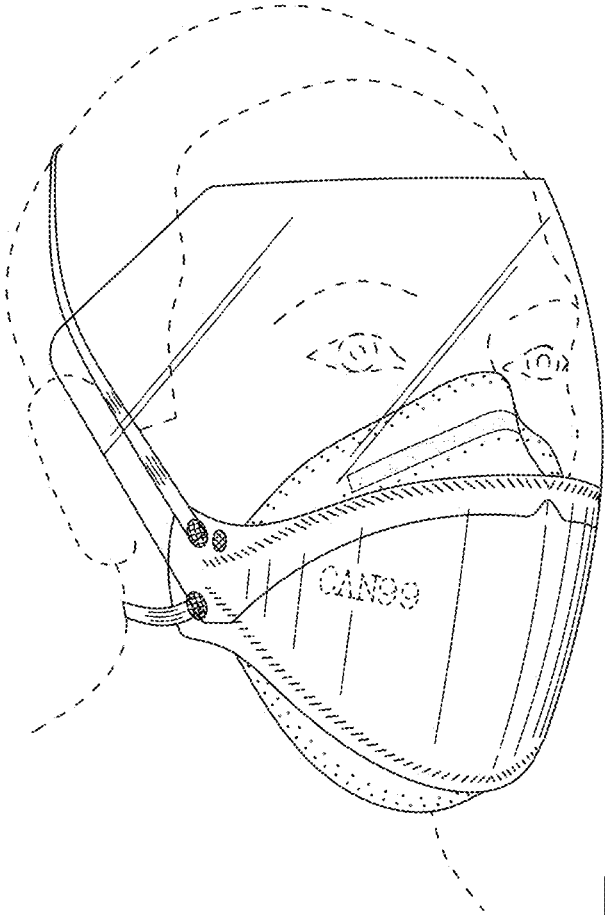
**FIG. 5**



**FIG. 6**



**FIG. 7**



**FIG. 8**

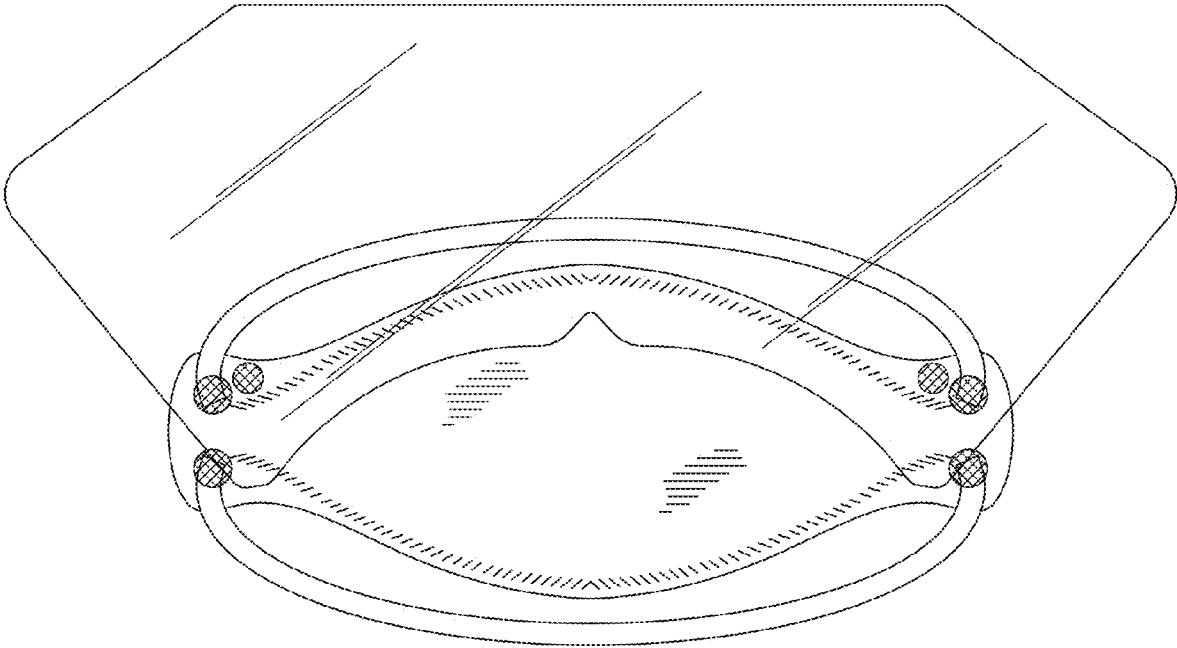


FIG. 9

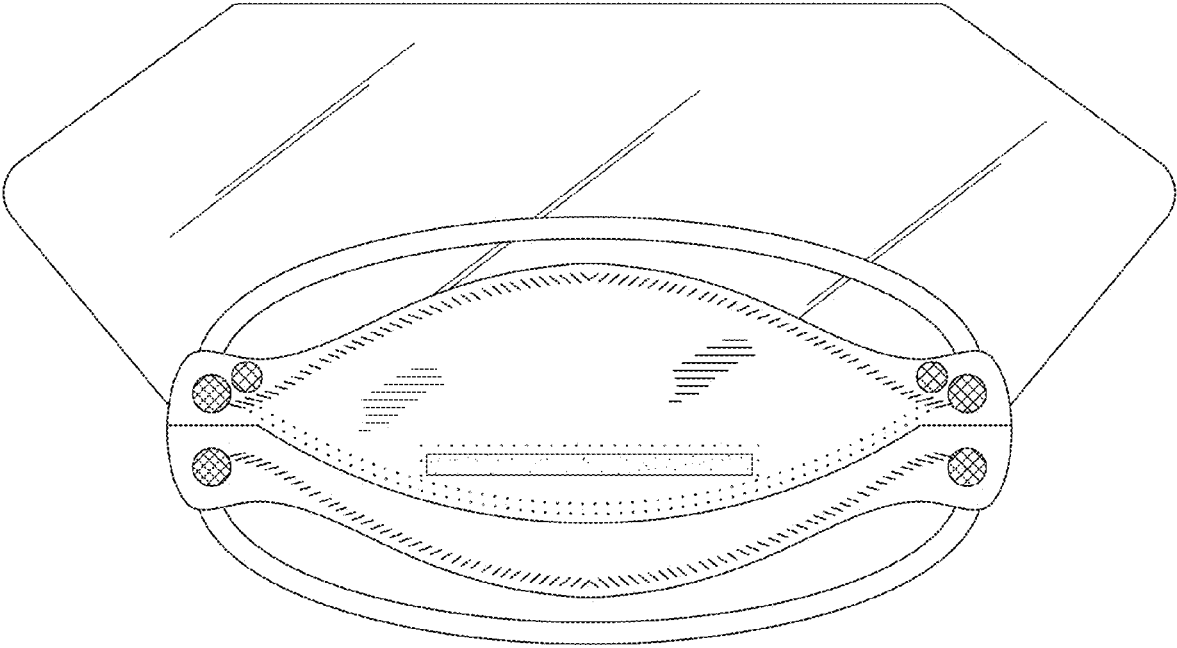


FIG. 10