



US00D848023S

(12) **United States Design Patent**  
**Lafond**

(10) **Patent No.:** **US D848,023 S**

(45) **Date of Patent:** **\*\* May 7, 2019**

(54) **SAMPLE VIAL**

(71) Applicant: **3088081 CANADA INC.,**  
St-Mathieu-de-Beloil (CA)

(72) Inventor: **André Lafond**, Mont Saint Hilaire  
(CA)

(73) Assignee: **3088081 Canada Inc.,**  
St-Mathieu-de-Beloil (CA)

(\*\*) Term: **15 Years**

(21) Appl. No.: **29/625,375**

(22) Filed: **Nov. 9, 2017**

(51) **LOC (11) Cl.** ..... **24-02**

(52) **U.S. Cl.**  
USPC ..... **D24/224**

(58) **Field of Classification Search**  
USPC ..... D24/115, 117, 141, 216–232; D16/242;  
D14/164, 175, 188, 203.1  
CPC ..... B01L 3/502; B01L 3/50825; B65D 1/09;  
G01N 27/44743  
See application file for complete search history.

(56) **References Cited**

**U.S. PATENT DOCUMENTS**

D214,703 S *	7/1969	Kiven	.....	D16/203
D230,634 S *	3/1974	Kardach	.....	D16/242
D416,032 S *	11/1999	Bakshi	.....	D16/203
6,948,631 B2 *	9/2005	Lafond	.....	B65D 41/3409 215/209
7,241,417 B2 *	7/2007	Lee	.....	B01L 3/5023 422/408
D552,739 S *	10/2007	Green	.....	D24/186
D583,237 S *	12/2008	Fuchs	.....	D9/453
7,544,324 B2 *	6/2009	Tung	.....	A61B 10/0045 422/504
D630,193 S *	1/2011	Bennett	.....	D14/167

D679,829 S *	4/2013	Clark	.....	D24/224
D706,945 S *	6/2014	Chan	.....	D24/216
D773,432 S *	12/2016	Rowan	.....	D14/188
D820,996 S *	6/2018	Knaus	.....	C12M 23/08 D24/224
D821,603 S *	6/2018	Tanner	.....	D24/224
D828,865 S *	9/2018	Zeng	.....	D16/242

**OTHER PUBLICATIONS**

3.00ml Micronic Tissue Storage Tubes—Quintech Life Sciences Pte Ltd. <http://www.quintechlifesciences.com/product-highlight/>; Oct. 10, 2017.

(Continued)

*Primary Examiner* — Susan Bennett Hattan

*Assistant Examiner* — Omeed Agilee

(74) *Attorney, Agent, or Firm* — Gwendoline Bruneau

(57) **CLAIM**

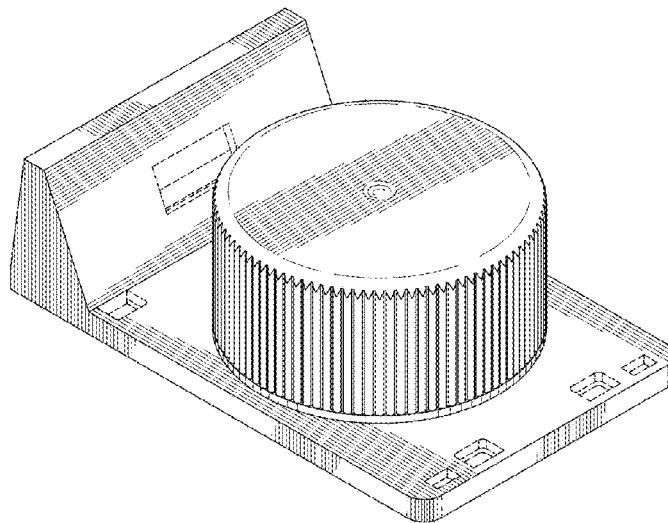
The ornamental design for a sample vial, as shown and described.

**DESCRIPTION**

FIG. 1 is a first perspective side view of my new design; FIG. 2 is a bottom perspective thereof; FIG. 3 second perspective side view thereof; FIG. 4 is a front view thereof; FIG. 5 is a rear view thereof; FIG. 6 is a top view thereof; FIG. 7 is a bottom view thereof; FIG. 8 is a first side view thereof; and, FIG. 9 is a second side view thereof.

The dot dash broken lines depict the boundaries of the claim in FIGS. 2 and 7 and form no part thereof. All other broken lines, the areas within them and all areas adjacent to shaded surfaces depict portions of the sample vial that form no part of the claim design.

**1 Claim, 6 Drawing Sheets**



(56)

**References Cited**

OTHER PUBLICATIONS

5mL CryoELITE Tissue Vial, WHT, STRL—Duran Wheaton Kimble <http://wheaton.com/5ml-cryoelite-tissue-vial-wht-strl.html>; Oct. 10, 2017.

Cryo 25 & 81 cardboard freezer box—Evergreen Scientific <http://www.evergreensci.com/labware-catalog/cryo-storage/cryo-25-and-81-cardboard-freezer-box/>; Oct. 10, 2017.

Nalgene 2118-9050 Polypropylene 15mL Wide-Mouth Straight-Sided Jar [https://www.amazon.com/Nalgene-2118-9050-Polypropylene-Wide-Mouth-Straight-Sided/dp/B0030BYW10/ref=sr\\_1\\_fkmr0\\_1?ie=UTF8&qid=1508857735&sr=8-1-fkmr0&keywords=Nalgene+2118-9050+Polypropylene+15ml+Wide-Mouth+Straight-Sided+Jar+%28Pack+of+12%29](https://www.amazon.com/Nalgene-2118-9050-Polypropylene-Wide-Mouth-Straight-Sided/dp/B0030BYW10/ref=sr_1_fkmr0_1?ie=UTF8&qid=1508857735&sr=8-1-fkmr0&keywords=Nalgene+2118-9050+Polypropylene+15ml+Wide-Mouth+Straight-Sided+Jar+%28Pack+of+12%29); Oct. 10, 2017.

Tissue Sample Storage Tube with 2D Barcode and External Thread Screw Cap—FluidX Ltd. <http://fluidx.bio/tissue-sample-storage-tube-with-2d-barcode-and-external-thread-screw-cap.html>; Oct. 10, 2017.

\* cited by examiner

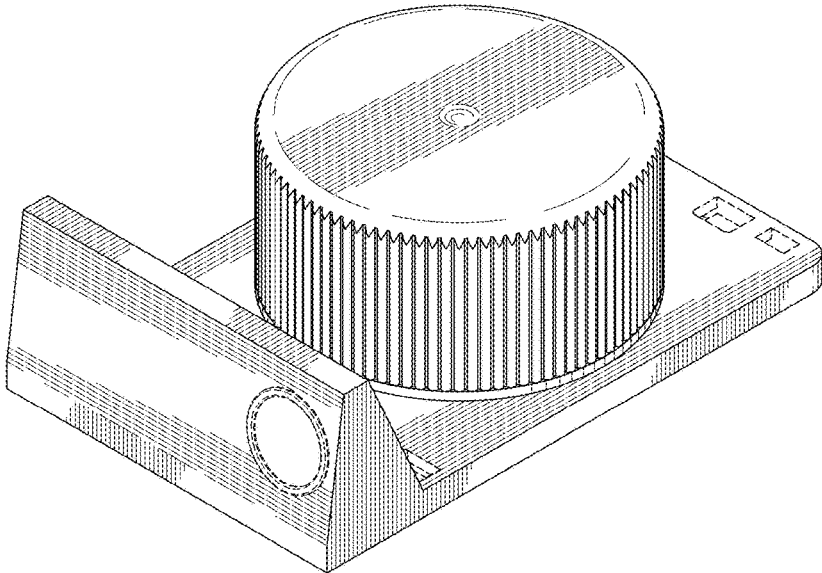


FIG. 1

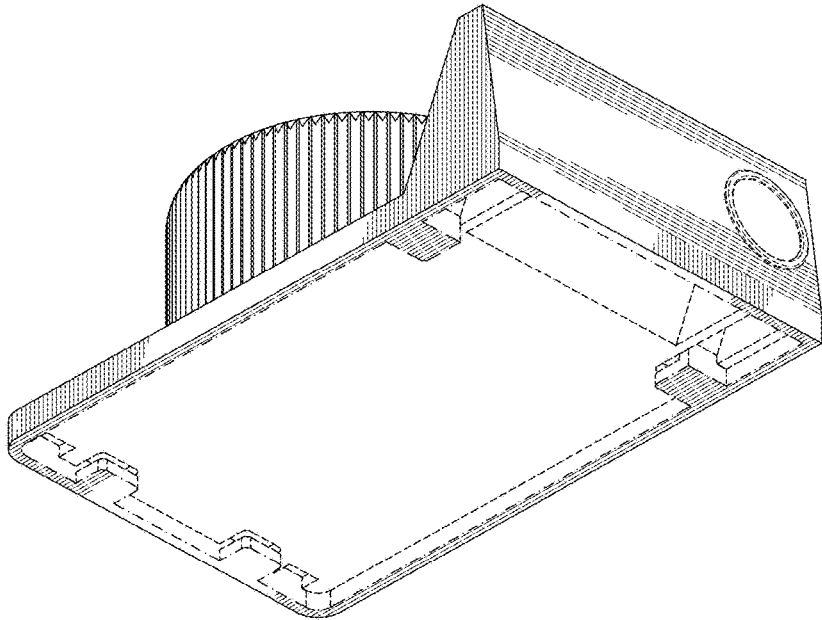


FIG. 2

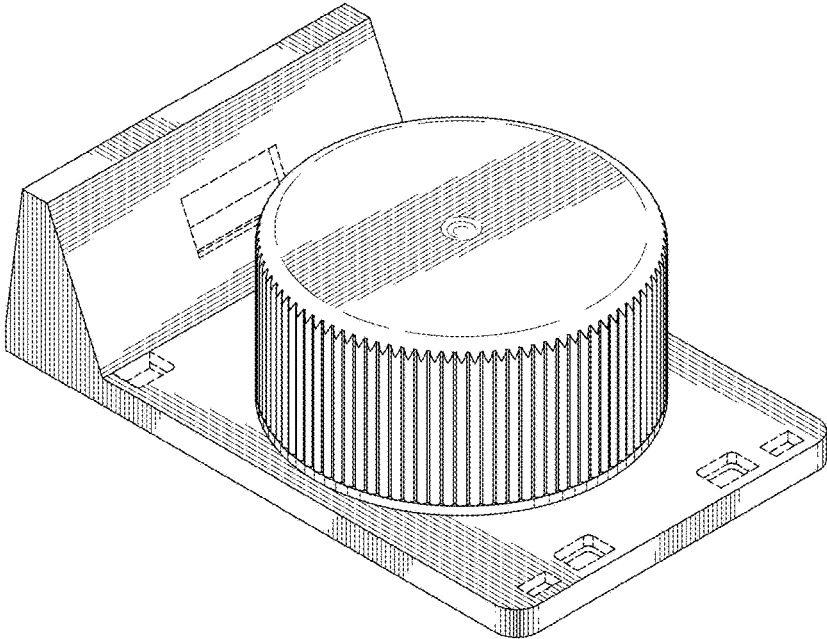


FIG. 3

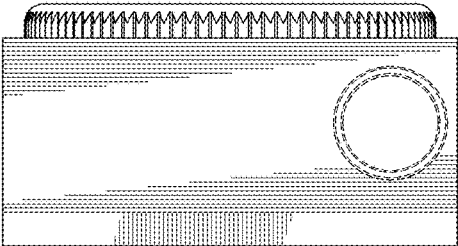


FIG. 4

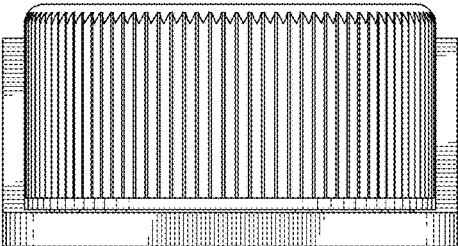


FIG. 5

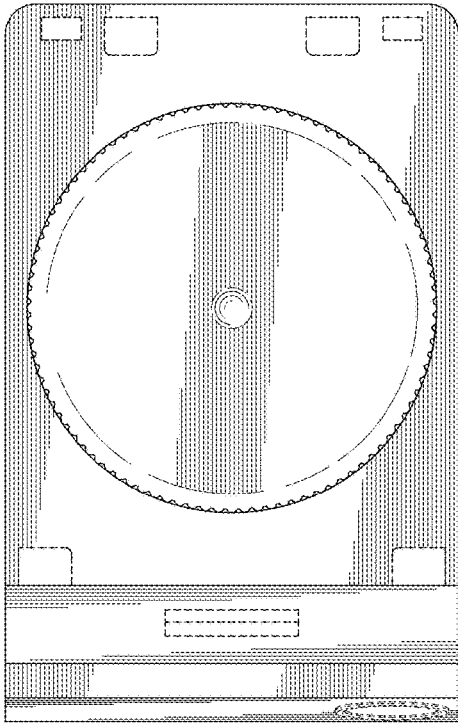


FIG. 6

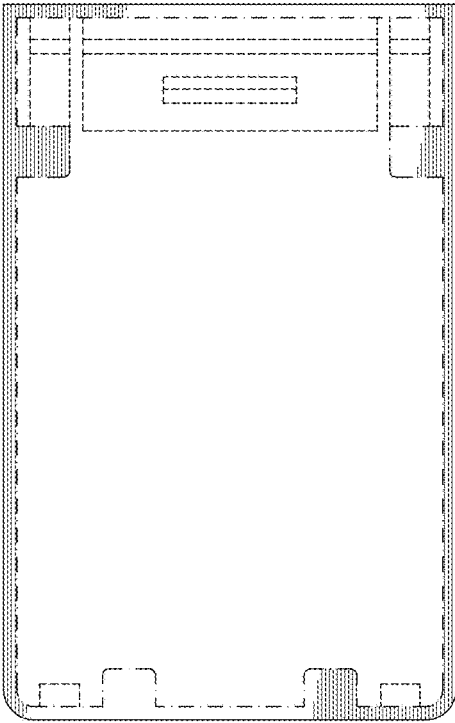


FIG. 7

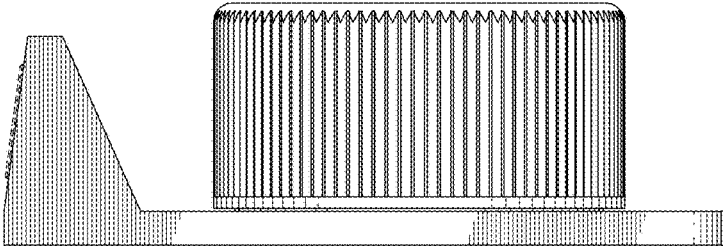


FIG. 8

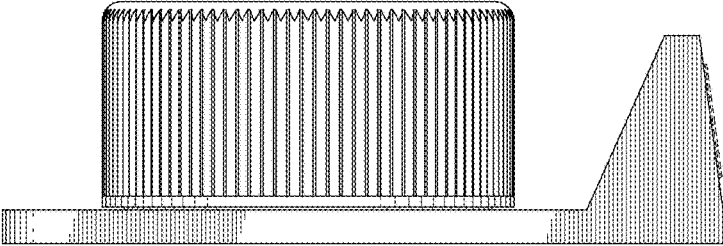


FIG. 9