



US00D344873S

United States Patent [19]
Chang

[11] **Patent Number: Des. 344,873**
[45] **Date of Patent: ** Mar. 8, 1994**

[54] **CONVECTION OVEN LID**
[76] **Inventor: Chung-Yuan Chang, 9245 Brown Deer Rd., San Diego, Calif. 92121**
[**] **Term: 14 Years**
[21] **Appl. No.: 920,994**
[22] **Filed: Jul. 28, 1992**
[52] **U.S. Cl. D7/402; D7/348**
[58] **Field of Search D7/347, 348, 350; 99/325, 341, 359, 467, 468; 126/275 R, 275 E; 219/391, 400, 402**

D. 328,687 8/1992 Dornbush et al. D7/350
D. 328,834 8/1992 Chang D7/348
D. 334,864 4/1993 Chang D7/350

Primary Examiner—Ruth McInroy
Attorney, Agent, or Firm—Frank D. Gilliam

[57] **CLAIM**

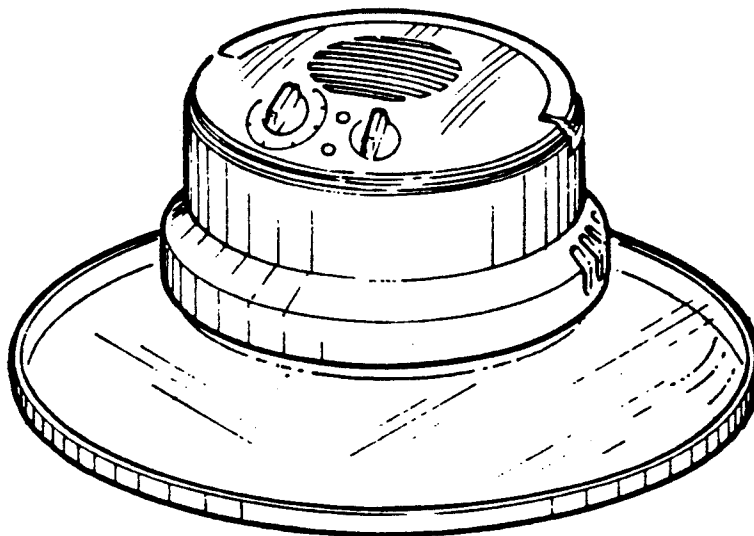
The ornamental design for a convection oven lid, as shown and described.

DESCRIPTION

FIG. 1 is a front perspective view of a convection oven lid showing my new design;
FIG. 2 is a top plan view thereof;
FIG. 3 is a front elevational view thereof;
FIG. 4 is a left side elevational view thereof, the handle shown in an upright position and the right side being a mirror image;
FIG. 5 is a bottom plan view thereof; and,
FIG. 6 is a rear elevational view thereof.

[56] **References Cited**
U.S. PATENT DOCUMENTS

D. 293,539 1/1988 Nishikawa D7/350
D. 302,095 7/1989 Nishikawa D7/350
D. 321,109 10/1991 Erickson et al. D7/350
D. 321,110 10/1991 Worrell et al. D7/350



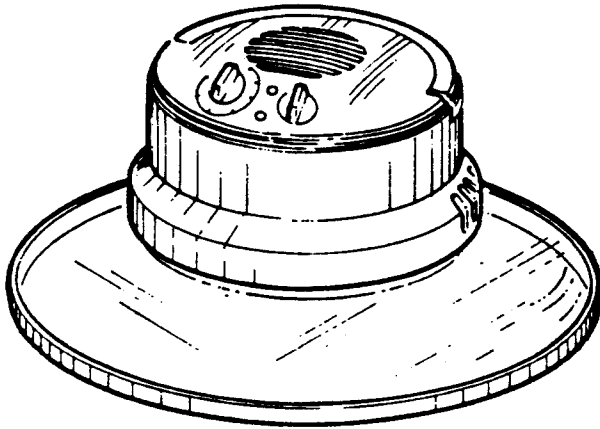


FIGURE 1

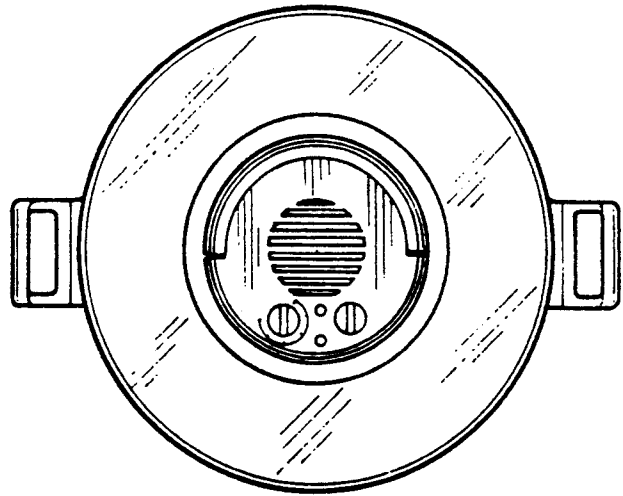


FIGURE 2

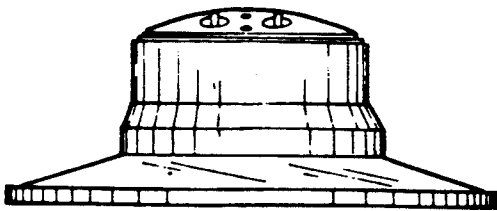


FIGURE 3

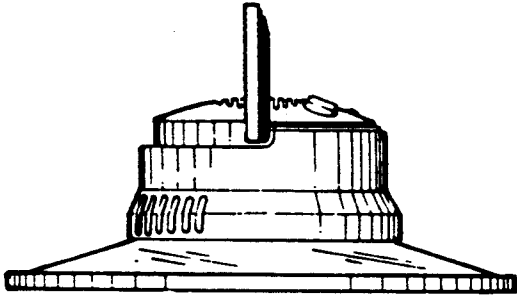


FIGURE 4

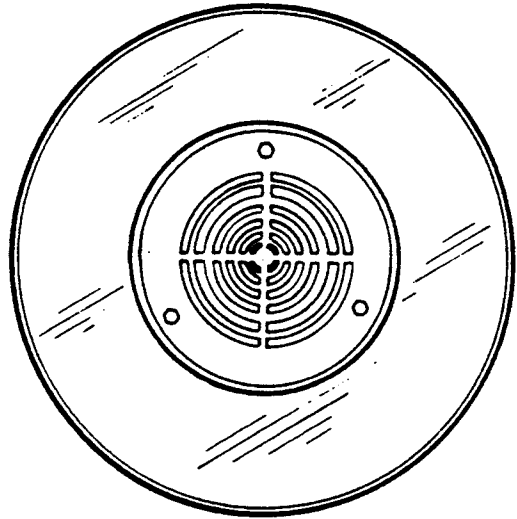


FIGURE 5

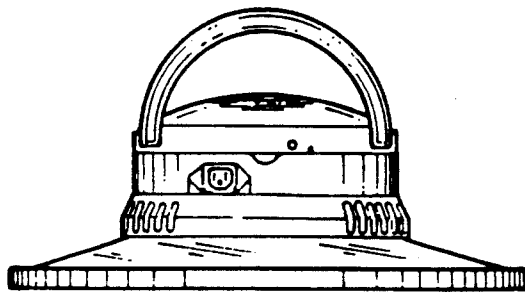


FIGURE 6