

(19) World Intellectual Property Organization
International Bureau



(43) International Publication Date
21 September 2006 (21.09.2006)

PCT

(10) International Publication Number
WO 2006/099357 A3

(51) International Patent Classification:
G02B 1/04 (2006.01)

(21) International Application Number:
PCT/US2006/009007

(22) International Filing Date: 10 March 2006 (10.03.2006)

(25) Filing Language: English

(26) Publication Language: English

(30) Priority Data:
11/077,598 11 March 2005 (11.03.2005) US

(71) Applicant (for all designated States except US): **3M INNOVATIVE PROPERTIES COMPANY** [US/US];
3m Center, Post Office Box 33427, Saint Paul, Minnesota 55133-3427 (US).

(72) Inventors; and

(75) Inventors/Applicants (for US only): **JONES, Clinton L.**, [US/US]; 3m Center, Post Office Box 33427, Saint Paul, Minnesota 55133-3427 (US). **GOENNER, Emily S.**, [US/US]; 3m Center, Post Office Box 33427, Saint Paul, Minnesota 55133-3427 (US). **OLSON, David B.**, [US/US]; 3m Center, Post Office Box 33427, Saint Paul, Minnesota 55133-3427 (US). **KOLB, Brant U.**, [US/US]; 3m Center, Post Office Box 33427, Saint Paul, Minnesota 55133-3427 (US).

(74) Agents: **FISCHER, Carolyn A.**, et al.; 3m Center, Office Of Intellectual Property Counsel, Post Office Box 33427, Saint Paul, Minnesota 55133-3427 (US).

(81) Designated States (unless otherwise indicated, for every kind of national protection available): AE, AG, AL, AM, AT, AU, AZ, BA, BB, BG, BR, BW, BY, BZ, CA, CH, CN, CO, CR, CU, CZ, DE, DK, DM, DZ, EC, EE, EG, ES, FI, GB, GD, GE, GH, GM, HR, HU, ID, IL, IN, IS, JP, KE, KG, KM, KN, KP, KR, KZ, LC, LK, LR, LS, LT, LU, LV, LY, MA, MD, MG, MK, MN, MW, MX, MZ, NA, NG, NI, NO, NZ, OM, PG, PH, PL, PT, RO, RU, SC, SD, SE, SG, SK, SL, SM, SY, TJ, TM, TN, TR, TT, TZ, UA, UG, US, UZ, VC, VN, YU, ZA, ZM, ZW.

(84) Designated States (unless otherwise indicated, for every kind of regional protection available): ARIPO (BW, GH, GM, KE, LS, MW, MZ, NA, SD, SL, SZ, TZ, UG, ZM, ZW), Eurasian (AM, AZ, BY, KG, KZ, MD, RU, TJ, TM), European (AT, BE, BG, CH, CY, CZ, DE, DK, EE, ES, FI, FR, GB, GR, HU, IE, IS, IT, LT, LU, LV, MC, NL, PL, PT, RO, SE, SI, SK, TR), OAPI (BF, BJ, CF, CG, CI, CM, GA, GN, GQ, GW, ML, MR, NE, SN, TD, TG).

Declarations under Rule 4.17:

- as to applicant's entitlement to apply for and be granted a patent (Rule 4.17(ii)) for all designations
- as to the applicant's entitlement to claim the priority of the earlier application (Rule 4.17(iii)) for all designations

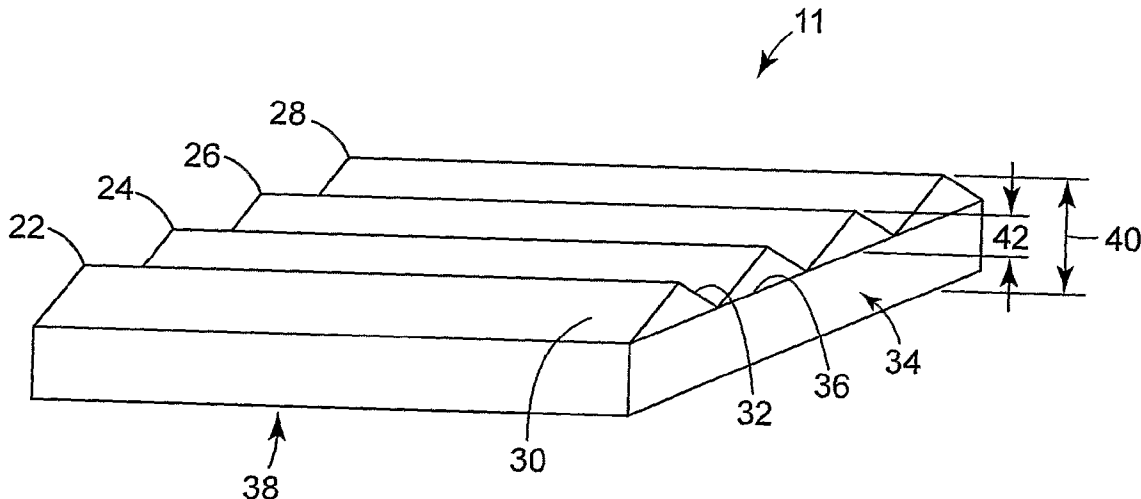
Published:

- with international search report

(88) Date of publication of the international search report:
25 January 2007

For two-letter codes and other abbreviations, refer to the "Guidance Notes on Codes and Abbreviations" appearing at the beginning of each regular issue of the PCT Gazette.

(54) Title: POLYMERIZABLE COMPOSITION COMPRISING LOW MOLECULAR WEIGHT ORGANIC COMPONENT



(57) Abstract: Polymerizable compositions comprising particularly useful for brightness enhancing films.

WO 2006/099357 A3

INTERNATIONAL SEARCH REPORT

International application No
PCT/US2006/009007

A. CLASSIFICATION OF SUBJECT MATTER
INV. G02B1/04

According to International Patent Classification (IPC) or to both national classification and IPC

B. FIELDS SEARCHED
Minimum documentation searched (classification system followed by classification symbols)
G02B G02F

Documentation searched other than minimum documentation to the extent that such documents are included in the fields searched

Electronic data base consulted during the international search (name of data base and, where practical, search terms used)
EPO-Internal, WPI Data

C. DOCUMENTS CONSIDERED TO BE RELEVANT		
Category*	Citation of document, with indication, where appropriate, of the relevant passages	Relevant to claim No.
Y	WO 2004/074884 A (MICROSHARP CORPORATION LTD; LI, ZHI, XIN; IQBAL, RIFAT; BALUCH, DOSTEN) 2 September 2004 (2004-09-02) page 3, paragraph 5; claim 1 page 1, paragraph 4; claim 21; figure 1	1-6,10, 12, 14-16, 21,22
X		27-30
Y	US 2004/233526 A1 (KAMINSKY CHERYL J ET AL) 25 November 2004 (2004-11-25) paragraph [0008]; claim 2; examples	1-6,10, 12, 14-16, 21,22
A	US 6 114 010 A (WILLIAMS ET AL) 5 September 2000 (2000-09-05) ----- -/--	1,20,27

Further documents are listed in the continuation of Box C. See patent family annex.

* Special categories of cited documents :

"A" document defining the general state of the art which is not considered to be of particular relevance

"E" earlier document but published on or after the international filing date

"L" document which may throw doubts on priority claim(s) or which is cited to establish the publication date of another citation or other special reason (as specified)

"O" document referring to an oral disclosure, use, exhibition or other means

"P" document published prior to the international filing date but later than the priority date claimed

"T" later document published after the international filing date or priority date and not in conflict with the application but cited to understand the principle or theory underlying the invention

"X" document of particular relevance; the claimed invention cannot be considered novel or cannot be considered to involve an inventive step when the document is taken alone

"Y" document of particular relevance; the claimed invention cannot be considered to involve an inventive step when the document is combined with one or more other such documents, such combination being obvious to a person skilled in the art.

"&" document member of the same patent family

Date of the actual completion of the international search 30 August 2006	Date of mailing of the international search report 18/09/2006
--	---

Name and mailing address of the ISA/ European Patent Office, P.B. 5818 Patentlaan 2 NL - 2280 HV Rijswijk Tel. (+31-70) 340-2040, Tx. 31 651 epo nl, Fax: (+31-70) 340-3016	Authorized officer Stabel, A
---	--

INTERNATIONAL SEARCH REPORT

International application No
PCT/US2006/009007

C(Continuation). DOCUMENTS CONSIDERED TO BE RELEVANT		
Category*	Citation of document, with indication, where appropriate, of the relevant passages	Relevant to claim No.
A	US 2002/057497 A1 (GARDINER MARK E ET AL) 16 May 2002 (2002-05-16) paragraph [0042]; claim 1 -----	24-26

INTERNATIONAL SEARCH REPORT

Information on patent family members

International application No PCT/US2006/009007

Patent document cited in search report	Publication date	Patent family member(s)	Publication date
WO 2004074884 A	02-09-2004	CN 1777822 A	24-05-2006
		EP 1595169 A1	16-11-2005
US 2004233526 A1	25-11-2004	CN 1795399 A	28-06-2006
		WO 2004106988 A2	09-12-2004
US 6114010 A	05-09-2000	AU 691087 B2	07-05-1998
		AU 4739096 A	21-08-1996
		CA 2209940 A1	08-08-1996
		EP 0807022 A1	19-11-1997
		JP 11500369 T	12-01-1999
		JP 3638956 B2	13-04-2005
		WO 9623658 A1	08-08-1996
		US 5855983 A	05-01-1999
US 2002057497 A1	16-05-2002	AU 7349300 A	23-04-2001
		CN 1378653 A	06-11-2002
		EP 1218776 A1	03-07-2002
		JP 2003511735 T	25-03-2003
		WO 0127663 A1	19-04-2001
		US 6356391 B1	12-03-2002