



US00D948716S

(12) **United States Design Patent**
Soares et al.

(10) **Patent No.:** **US D948,716 S**
(45) **Date of Patent:** **** Apr. 12, 2022**

(54) **ENDOSCOPE**
(71) Applicant: **Stinger Endoscopy LLC**, Fort Worth, TX (US)
(72) Inventors: **Francisco da Costa Soares**, Fort Worth, TX (US); **Norton Sarro da Silva**, Rio de Janeiro (BR)
(73) Assignee: **STINGER ENDOSCOPY LLC**, Fort Worth, TX (US)
(**) Term: **15 Years**
(21) Appl. No.: **29/700,020**
(22) Filed: **Jul. 30, 2019**
(51) **LOC (13) Cl.** **08-05**
(52) **U.S. Cl.**
USPC **D24/138**
(58) **Field of Classification Search**
USPC D24/137, 138, 133
CPC A61B 1/00; A61B 1/00137; A61B 1/005; A61B 1/0014; A61B 1/0676; A61B 1/0669; A61B 1/00121; A61B 1/00133; A61B 1/00071; A61B 1/00064; A61B 1/00068; A61B 1/00112; A61B 1/0125; A61B 17/3478
See application file for complete search history.

8,523,879 B1 9/2013 Lind et al.
8,579,801 B2 11/2013 Konstorum
8,579,802 B2 11/2013 Robertson
8,602,967 B2 12/2013 Robertson
8,771,177 B2 7/2014 Hale et al.
8,834,356 B2 9/2014 Konstorum
D719,651 S * 12/2014 Hoffmann D24/133
9,155,859 B2 10/2015 Dulak et al.
9,247,867 B2 2/2016 Baum et al.

(Continued)

Primary Examiner — Eliza Z Harvey
(74) *Attorney, Agent, or Firm* — Quinn IP Law

(57) **CLAIM**

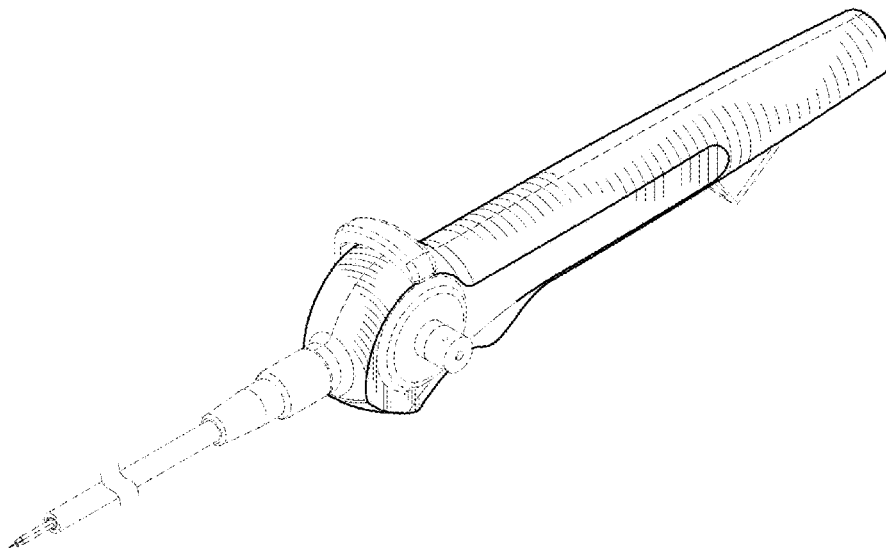
The ornamental design for an endoscope, as shown and described.

DESCRIPTION

FIG. 1 is a front, top perspective view of an endoscope showing our new design.
FIG. 2 is a rear, top perspective view of the endoscope of FIG. 1.
FIG. 3 is a rear, bottom perspective view of the endoscope of FIG. 1.
FIG. 4 is a front, bottom perspective view of the endoscope of FIG. 1.
FIG. 5 is a first side elevation view of the endoscope of FIG. 1.
FIG. 6 is a bottom plan view of the endoscope of FIG. 1.
FIG. 7 is a second side elevation view of the endoscope of FIG. 1.
FIG. 8 is a top plan view of the endoscope of FIG. 1.
FIG. 9 is a back elevation view of the endoscope of FIG. 1; and,
FIG. 10 is a front elevation view of the endoscope of FIG. 1.
The portions of the drawings shown in broken lines represent environmental structure and form no part of the claimed design.

(56) **References Cited**
U.S. PATENT DOCUMENTS
5,772,578 A 6/1998 Heimberger et al.
6,471,684 B2 10/2002 Dulak et al.
7,250,027 B2 7/2007 Barry
7,316,677 B1 1/2008 Dulak et al.
7,512,437 B2 3/2009 Banju et al.
7,766,819 B2 8/2010 Matsumoto
7,833,153 B2 11/2010 Takeuchi et al.
8,033,993 B2 10/2011 Amano et al.
8,282,622 B2 10/2012 Dulak et al.
8,485,966 B2 7/2013 Robertson

1 Claim, 4 Drawing Sheets



(56)

References Cited

U.S. PATENT DOCUMENTS

9,521,942	B2	12/2016	Robertson	
D786,429	S *	5/2017	Cummins	D24/141
D870,884	S *	12/2019	Huels	D24/137
D871,574	S *	12/2019	Lohk	D24/138
D871,575	S *	12/2019	Lohk	D24/138
D871,576	S *	12/2019	Lohk	D24/138
D884,168	S *	5/2020	Lohk	D24/138
D886,999	S *	6/2020	Lohk	D24/138
D909,575	S *	2/2021	Ohno	D24/138
D936,221	S *	11/2021	Jensen	D24/138

* cited by examiner

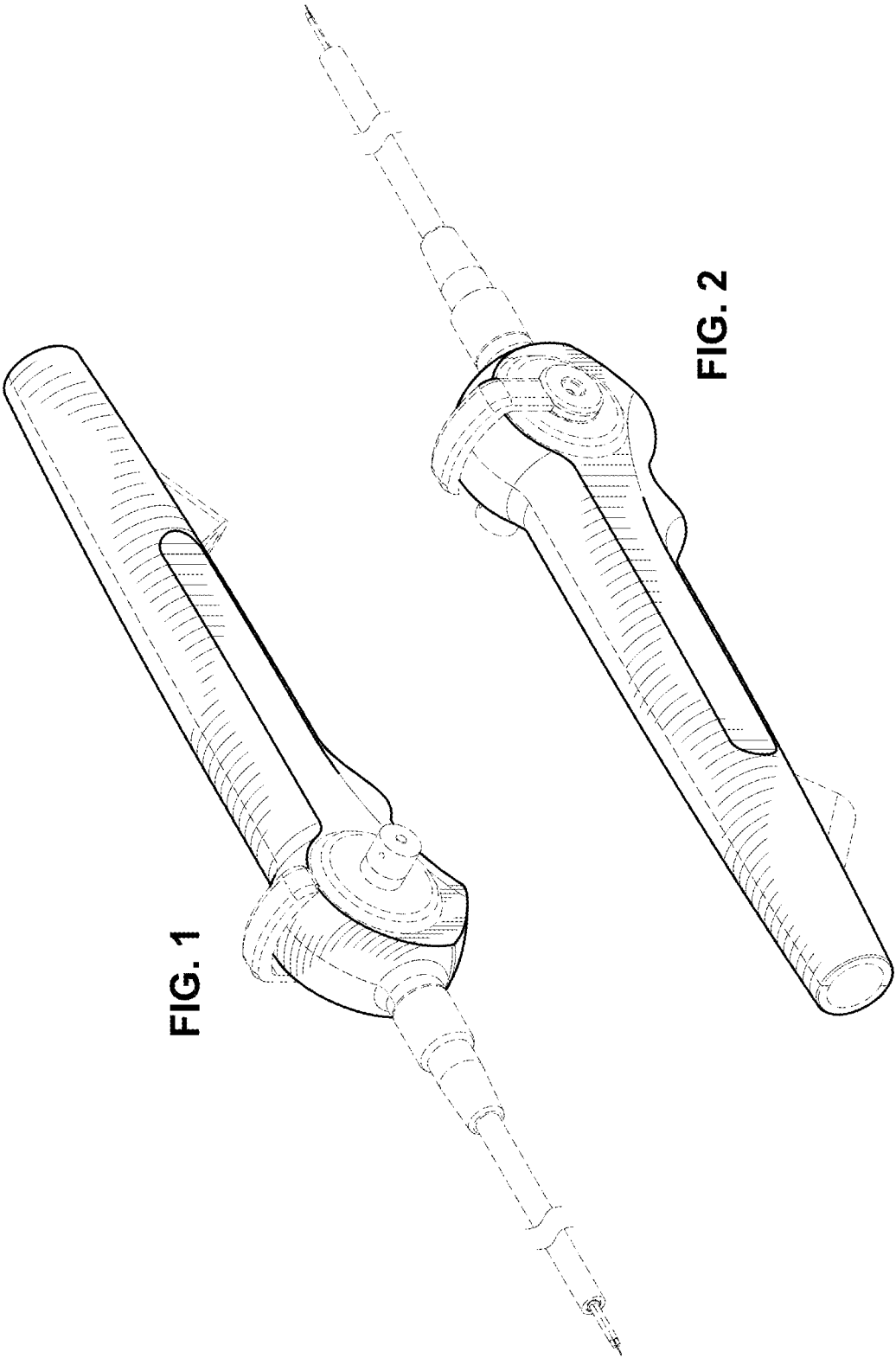


FIG. 1

FIG. 2

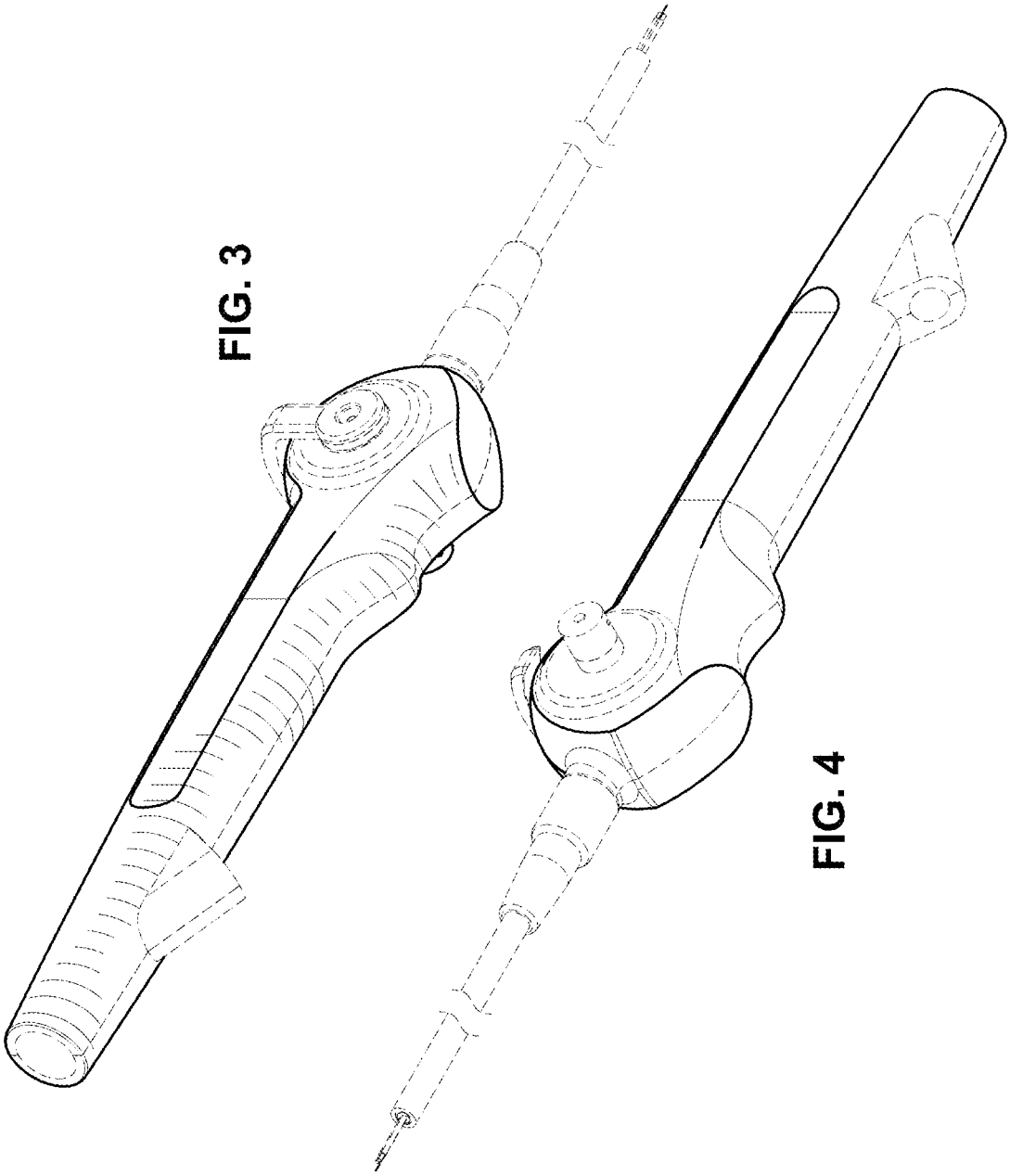


FIG. 3

FIG. 4

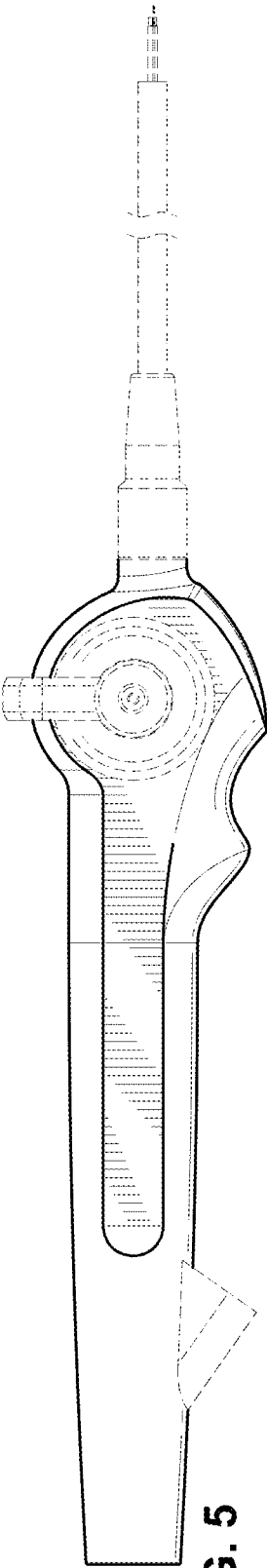


FIG. 5

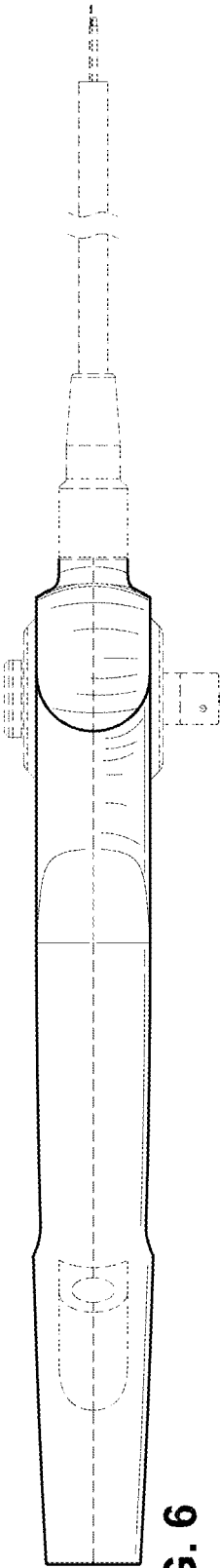


FIG. 6

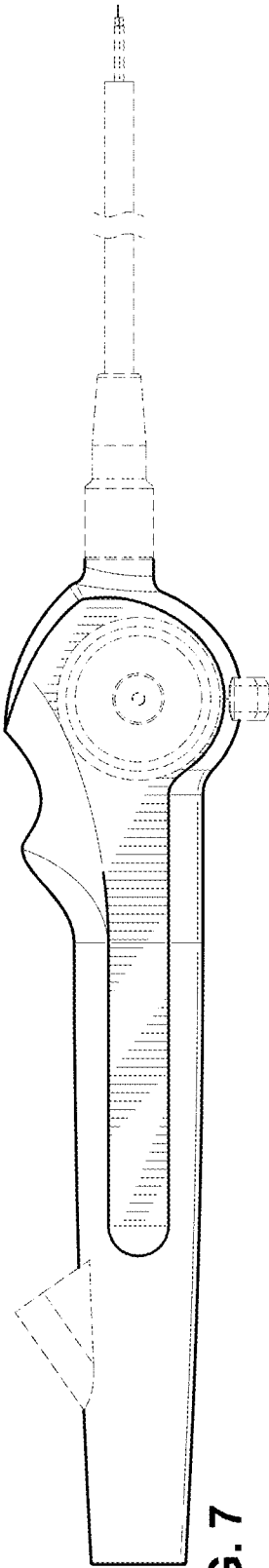


FIG. 7

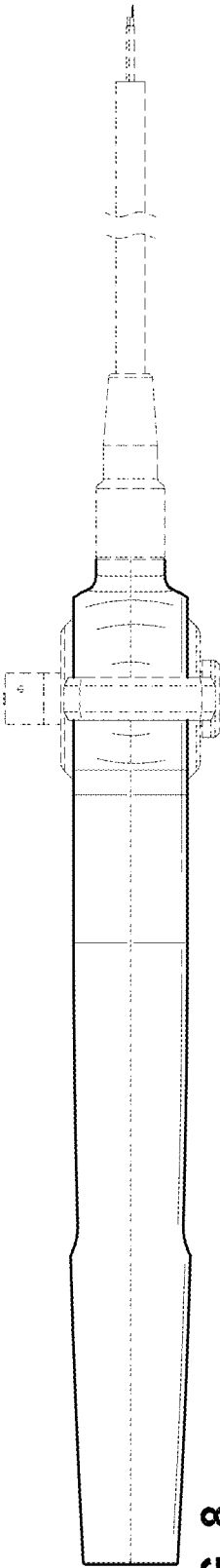


FIG. 8

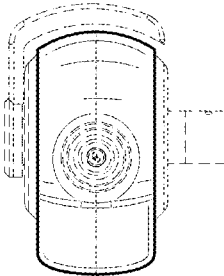


FIG. 10

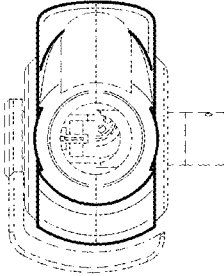


FIG. 9