



US00D737202S

(12) **United States Design Patent**
Liu

(10) **Patent No.:** **US D737,202 S**

(45) **Date of Patent:** **** Aug. 25, 2015**

(54) **CHARGER**

(71) Applicant: **Qiuming Liu**, Guangdong (CN)

(72) Inventor: **Qiuming Liu**, Guangdong (CN)

(**) Term: **14 Years**

(21) Appl. No.: **29/500,359**

(22) Filed: **Aug. 25, 2014**

Related U.S. Application Data

(63) Continuation-in-part of application No. PCT/CN2014/072518, filed on Feb. 25, 2014, and a continuation-in-part of application No. PCT/CN2013/082034, filed on Aug. 22, 2013.

(51) **LOC (10) CI.** **13-02**

(52) **U.S. CI.**
USPC **D13/108**; D14/480.1

(58) **Field of Classification Search**

USPC D13/107-110, 118-119, 184, 199;
D14/251, 253, 432, 434, 434.1,
D14/480.1-480.7, 484.1; 320/107-115;
D27/137, 186, 193, 194; 131/328-329;
361/679.31, 679.33, 679.4, 752;
711/100, 115
CPC Y02E 60/12; Y02T 90/14; Y02T 90/122;
Y02T 90/128; Y02T 90/163; H02J 7/025;
H02J 7/0042; H02J 7/0044; H02J 7/0045;
H02J 7/0003; H01F 38/14; H01R 13/6675;
H01M 2/1022; H01M 2/1055; H01M 10/44;
H01M 10/46; H01M 10/425; B60L 11/182;
A24F 47/008; G06K 19/07732; H05K 5/0278
See application file for complete search history.

(56) **References Cited**

U.S. PATENT DOCUMENTS

6,435,409 B1 * 8/2002 Hu 235/441
6,522,534 B1 * 2/2003 Wu 361/679.4

D489,069 S *	4/2004	Lin	D14/435.1
D491,144 S *	6/2004	Jiang	D14/435.1
D491,939 S *	6/2004	Lin et al.	D14/480.1
D496,364 S *	9/2004	Saito	D14/385
D523,015 S *	6/2006	Lofthus	D14/480.1
D532,783 S *	11/2006	Yu	D14/480.3
D534,448 S *	1/2007	Shaffer et al.	D10/104.1
D551,626 S *	9/2007	Ho et al.	D13/147
D567,238 S *	4/2008	Patton et al.	D14/480.2
D569,375 S *	5/2008	Yu et al.	D14/385
D574,822 S *	8/2008	Bhavani	D14/480.3
D601,093 S *	9/2009	Wu et al.	D13/147
D602,939 S *	10/2009	Andre	D14/480.1
D626,082 S *	10/2010	Lin	D13/147

(Continued)

Primary Examiner — Rosemary K Tarca

(74) *Attorney, Agent, or Firm* — Locke Lord LLP; Tim Tingkang Xia, Esq.

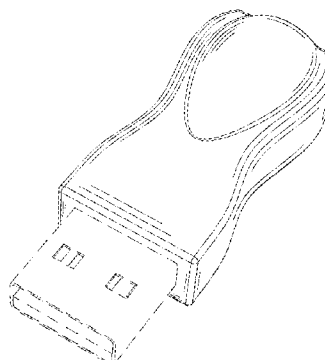
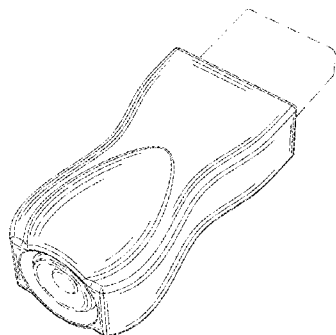
(57) **CLAIM**

The ornamental design for a charger, as shown and described.

DESCRIPTION

FIG. 1 is a front elevational view of an embodiment of a charger;
FIG. 2 is a rear elevational view of the embodiment of the charger;
FIG. 3 is a left side elevational view of the embodiment of the charger;
FIG. 4 is a right side elevational view of the embodiment of the charger;
FIG. 5 is a top plan view of the embodiment of the charger;
FIG. 6 is a bottom plan view of the embodiment of the charger;
FIG. 7 is a first perspective view of the embodiment of the charger; and,
FIG. 8 is a second perspective view of the embodiment of the charger.
The broken lines shown in the drawings are included for the purpose of illustrating environmental structure and form no part of the claimed design.

1 Claim, 6 Drawing Sheets



(56)

References Cited

U.S. PATENT DOCUMENTS

D631,053	S *	1/2011	Bailey	D14/480.1	2004/0233629	A1 *	11/2004	Wang et al.	361/684
D638,430	S *	5/2011	Lee et al.	D14/435.1	2005/0162823	A1 *	7/2005	Hosey	361/684
D651,211	S *	12/2011	Lee et al.	D14/435.1	2007/0015407	A1 *	1/2007	Lofus	439/607
2003/0103369	A1 *	6/2003	Wu	365/131	2007/0083273	A1 *	4/2007	Ruggero	700/1
						2008/0133832	A1 *	6/2008	Bhavnani	711/115
						2008/0144270	A1 *	6/2008	Dal Porto et al.	361/684

* cited by examiner

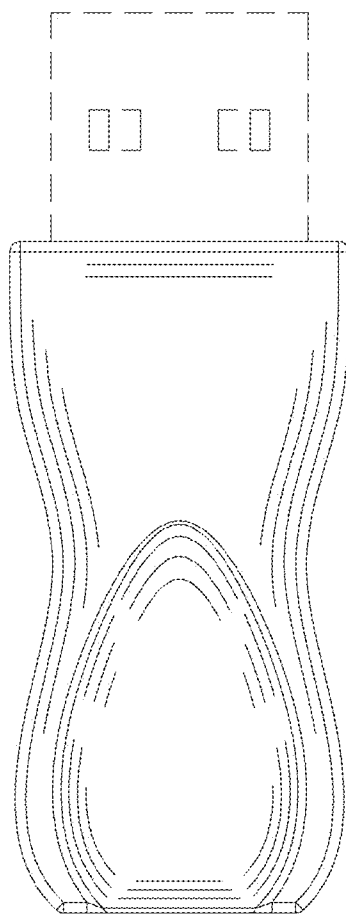


Fig. 1

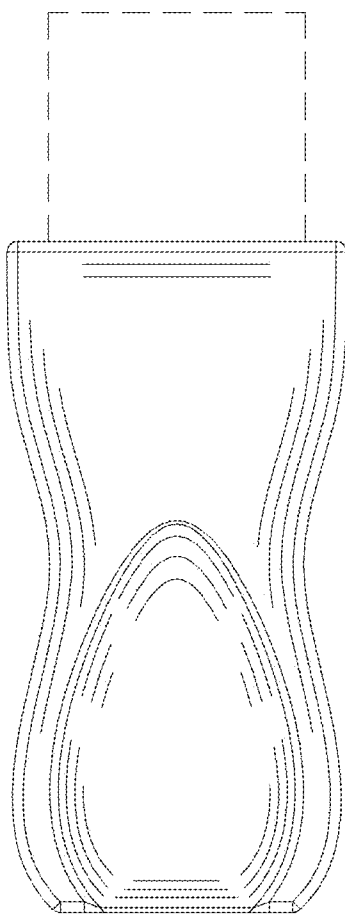


Fig. 2

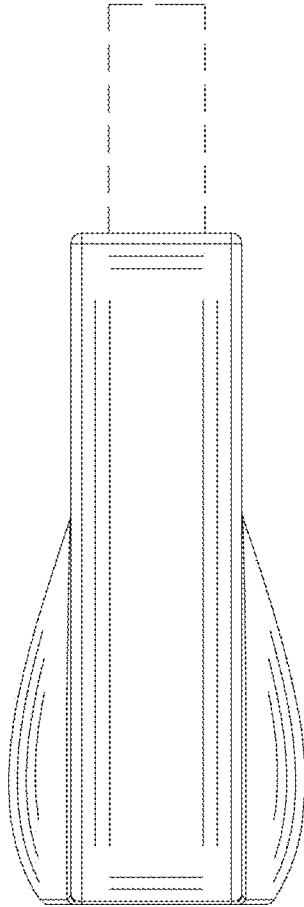


Fig. 3

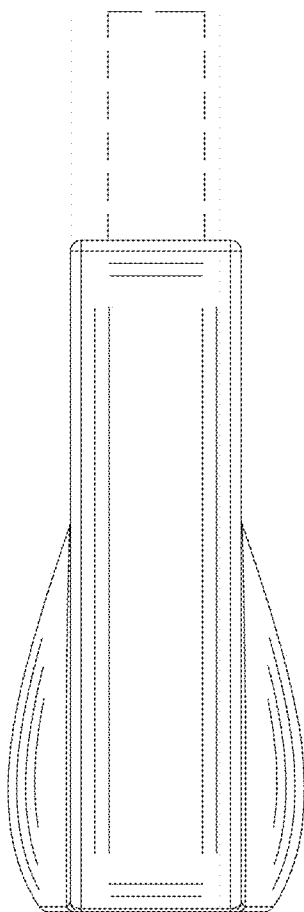


Fig. 4

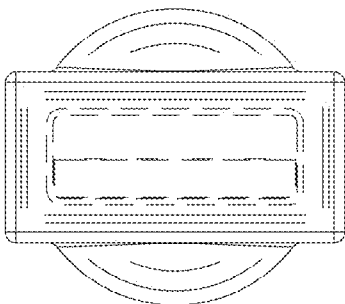


Fig. 5

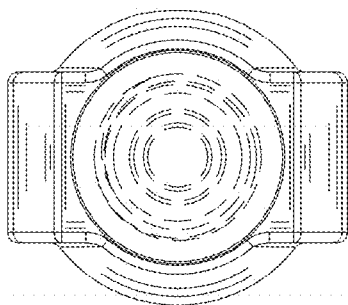


Fig. 6

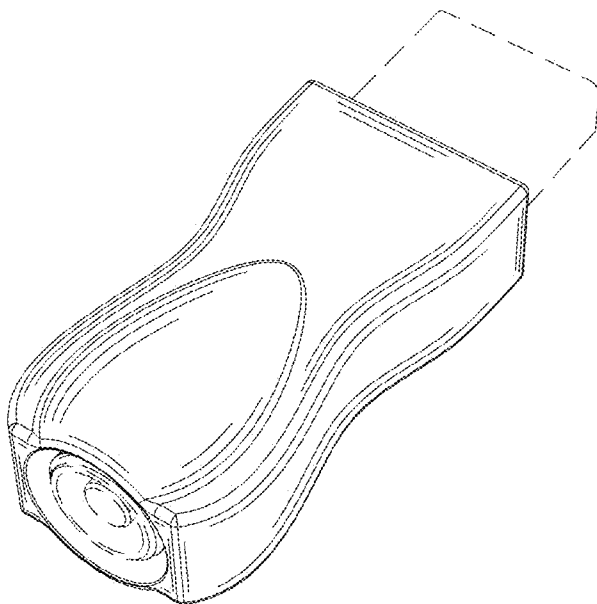


Fig. 7

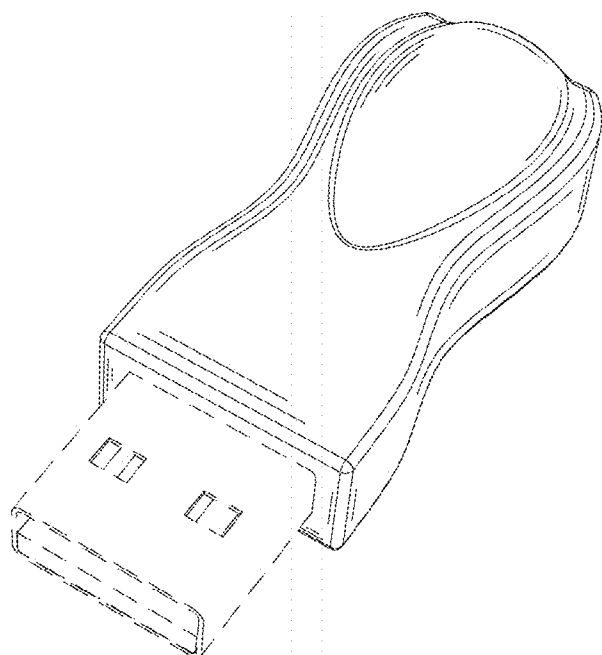


Fig. 8