

[54] MINI KEYBOARD STAND

[75] Inventor: Darrell A. Schoenig, Fort Collins, Colo.

[73] Assignee: D & D Enterprises, Inc., Fort Collins, Colo.

[*] Notice: The portion of the term of this patent subsequent to May 7, 1999 has been disclaimed.

[**] Term: 14 Years

[21] Appl. No.: 626,536

[22] Filed: Jun. 29, 1984

[52] U.S. Cl. D6/462

[58] Field of Search 211/204, 206, 71, 13, 211/181, 134; D6/449, 462, 463, 464

[56] References Cited

U.S. PATENT DOCUMENTS

| | | | | |
|------------|---------|----------|-------|-----------|
| D. 278,670 | 5/1985 | Schoenig | | D6/465 X |
| 580,655 | 4/1897 | Thew | | 211/134 X |
| 2,533,324 | 12/1950 | Mendle | | 211/206 |
| 2,793,764 | 5/1957 | Stork | | 211/204 |
| 2,893,568 | 7/1959 | Scholz | | 211/204 |
| 3,146,892 | 9/1964 | White | | 211/204 |

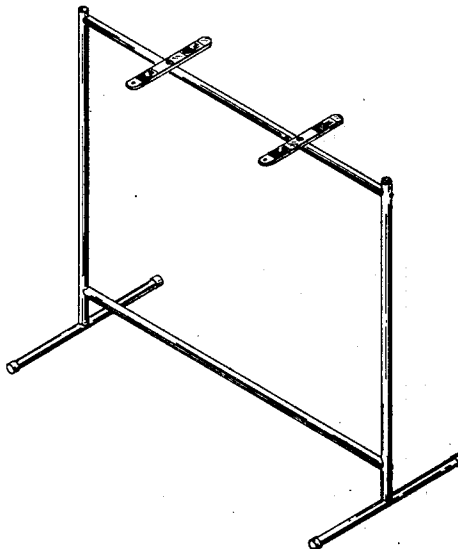
Primary Examiner—Carmen H. Vales
Attorney, Agent, or Firm—Hugh H. Drake

[57] CLAIM

The ornamental design of a mini keyboard stand, as shown and described.

DESCRIPTION

FIG. 1 is a perspective view of a mini keyboard stand showing my new design; FIG. 2 is a front elevational view thereof; the rear elevational view being a mirror image; FIG. 3 is an end elevational view thereof; the other end elevational view being a mirror image; FIG. 4 is a top plan view thereof; and FIG. 5 is a bottom plan view thereof.



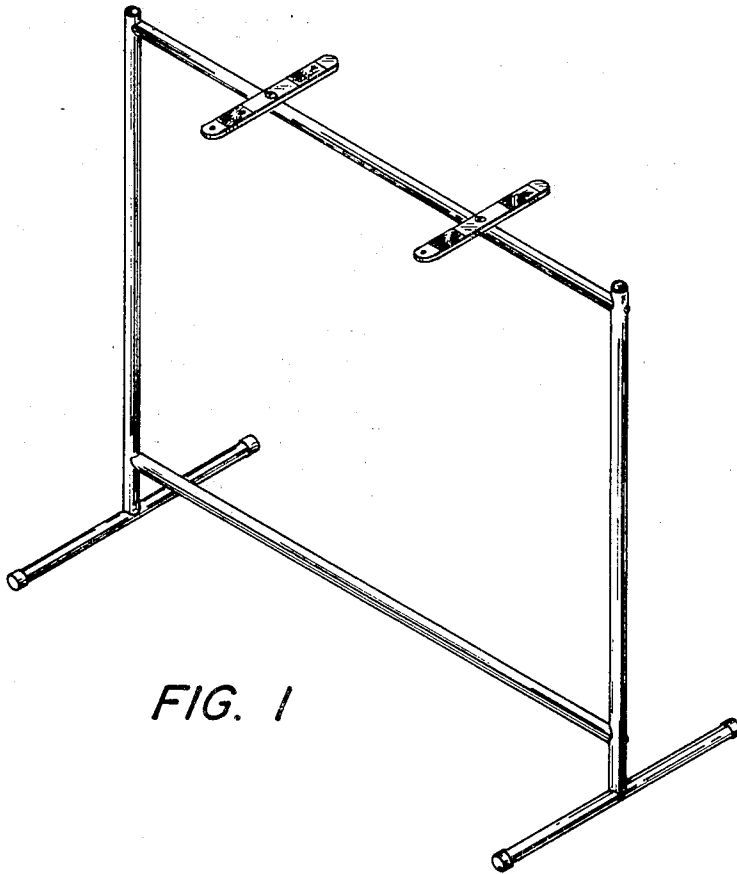


FIG. 1

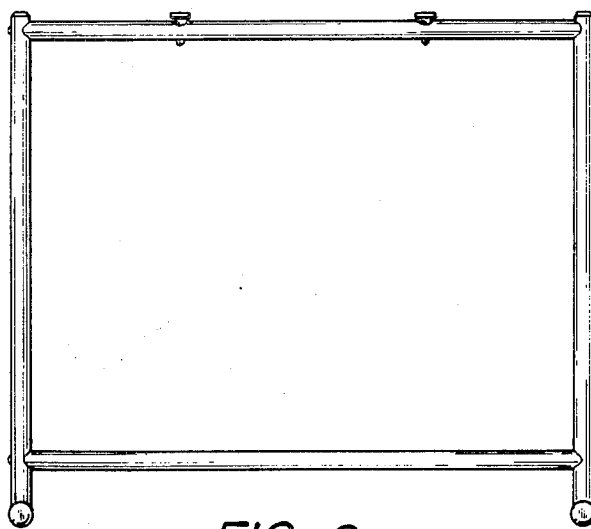


FIG. 2

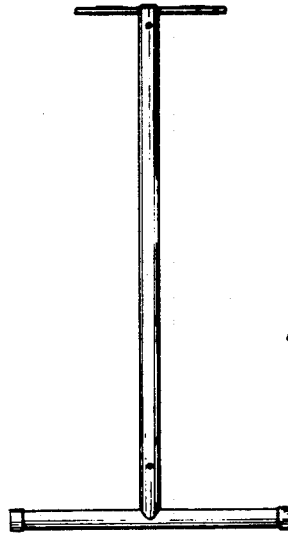


FIG. 3

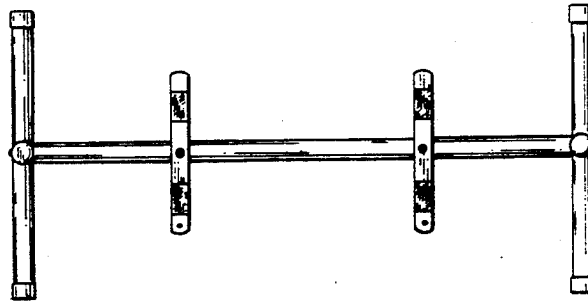


FIG. 4

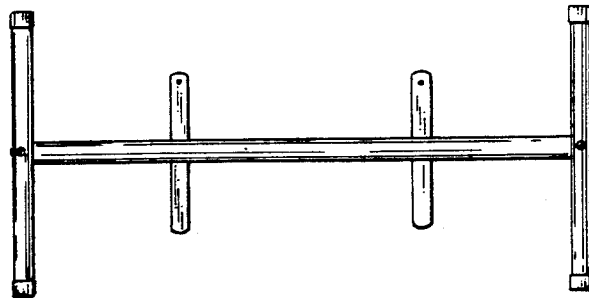


FIG. 5