



US00D424824S

United States Patent [19]
Chu

[11] **Patent Number: Des. 424,824**
[45] **Date of Patent: ** *May 16, 2000**

[54] **CHAIR**

[75] Inventor: **Zoocy C. Chu**, Grand Rapids, Mich.

[73] Assignee: **Plus Corporation**, Tokyo, Japan

[*] Notice: This patent is subject to a terminal disclaimer.

[**] Term: **14 Years**

D. 273,730	5/1984	Cafiero	D6/366
D. 276,956	1/1985	Aronowitz et al.	D6/366
D. 291,159	8/1987	Monesi	D6/366
D. 355,534	2/1995	Saotome	D6/366
D. 357,130	4/1995	Schultz	D6/366
D. 369,918	5/1996	Beaulieu	D6/366
D. 373,495	9/1996	Whalen	D6/500
D. 377,424	1/1997	Olson	D6/366
D. 388,258	12/1997	Ambasz	D6/366
D. 393,755	4/1998	Nemeth, Jr.	D6/366
D. 397,258	8/1998	Heyder et al.	D6/366

[21] Appl. No.: **29/085,053**

[22] Filed: **Mar. 16, 1998**

[30] **Foreign Application Priority Data**

Oct. 17, 1997 [JP] Japan 9-71843

[51] **LOC (7) Cl.** **06-01**

[52] **U.S. Cl.** **D6/366**

[58] **Field of Search** D6/334, 364, 365,
D6/366, 367, 500, 501, 502; 297/411.2,
411.24, 411.27

[56] **References Cited**

U.S. PATENT DOCUMENTS

D. 196,235	9/1963	Gianvecchio	D6/502
D. 239,792	5/1976	Alessandri	D6/366

Primary Examiner—Gary D. Watson
Attorney, Agent, or Firm—Darby & Darby

[57] **CLAIM**

The ornamental design for a chair, as shown and described.

DESCRIPTION

FIG. 1 is a top plan view showing my new design for chair; FIG. 2 is a front elevational view thereof; FIG. 3 is a right side view thereof, the left side being a mirror image thereof; FIG. 4 is a rear elevational view thereof; and, FIG. 5 is a perspective view thereof as viewed from the front right.

1 Claim, 2 Drawing Sheets

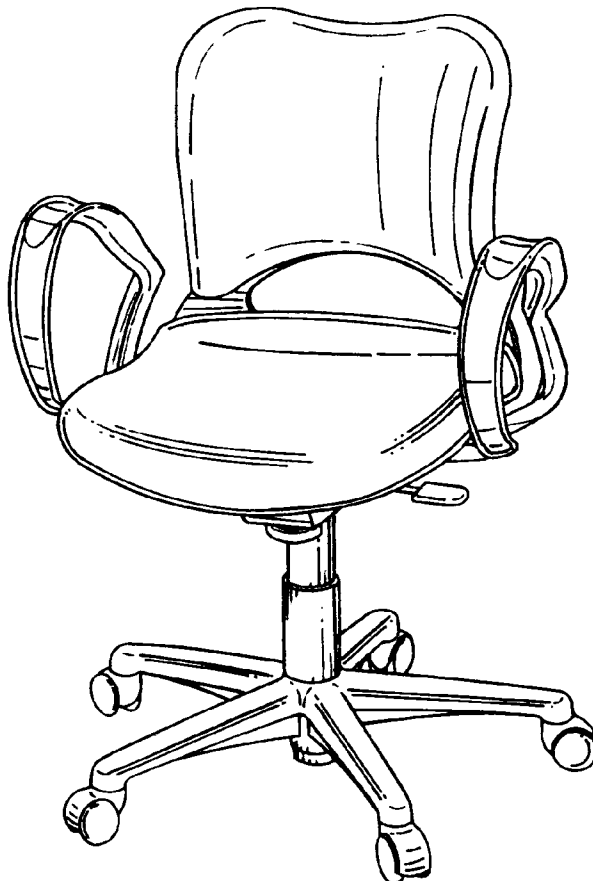


Fig. 1

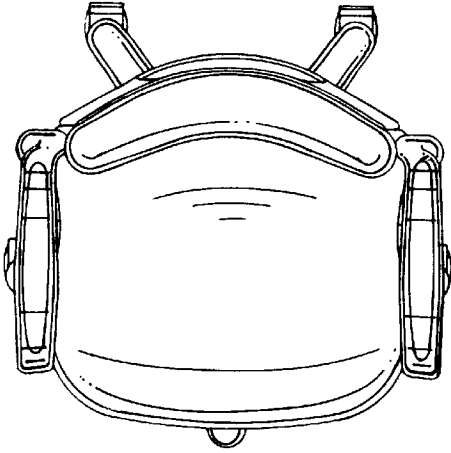


Fig. 2

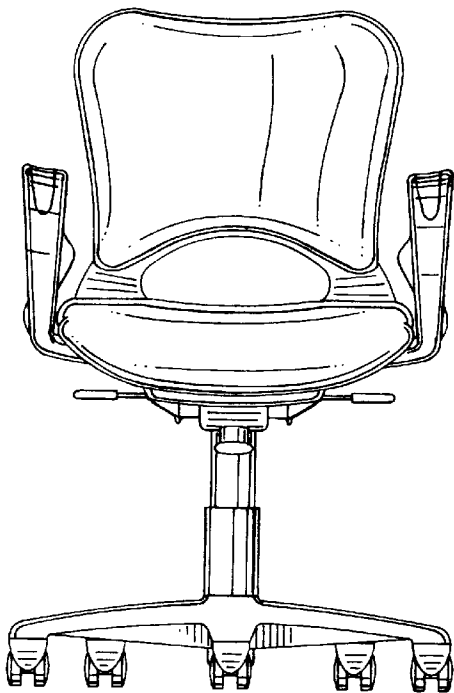


Fig. 3

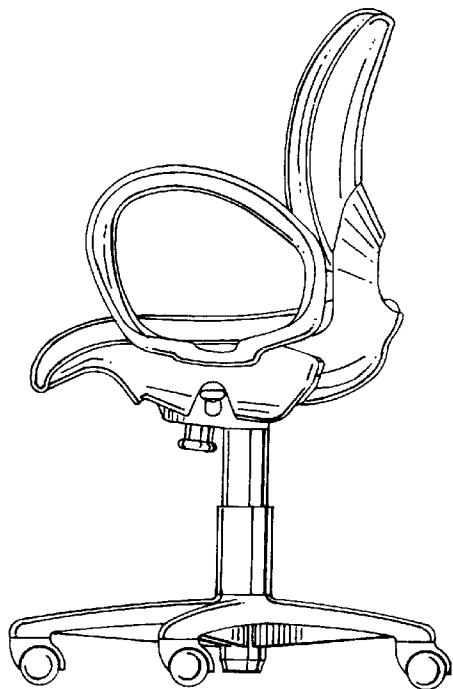


Fig.4

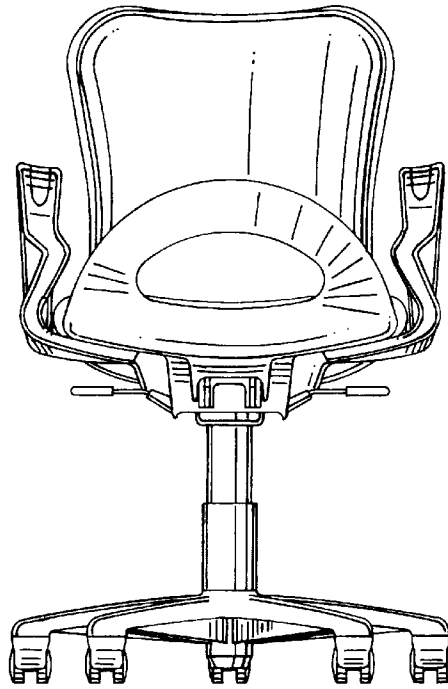


Fig.5

