



(12) **United States Design Patent** (10) **Patent No.:** **US D973,589 S**
Equoy (45) **Date of Patent:** **** Dec. 27, 2022**

(54) **COMPACT MOTOR REDUCER**

(71) Applicant: **SONCEBOZ AUTOMOTIVE SA,**
 Sonceboz (CH)

(72) Inventor: **Samuel Equoy,** Baume-les-Dames (FR)

(**) Term: **15 Years**

(21) Appl. No.: **35/512,795**

(22) Filed: **Apr. 27, 2021**

(80) **Hague Agreement Data**
 Int. Filing Date: **Apr. 27, 2021**
 Int. Reg. No.: **DM/215020**
 Int. Reg. Date: **Apr. 27, 2021**
 Int. Reg. Pub. Date: **Oct. 29, 2021**

(51) **LOC (13) Cl.** **13-01**
 (52) **U.S. Cl.**
 USPC **D13/112**

(58) **Field of Classification Search**
 USPC D13/112, 113, 114, 118, 122, 184, 199;
 D15/1, 3, 5, 138, 141, 143, 148, 149
 CPC H02K 5/06; H02K 5/22; H02K 5/225;
 H02K 11/33; H02K 9/06; H02K 9/12;
 H02K 9/14; H02K 9/18; H02K 9/20;
 H02K 7/10; H02K 7/116; H02K 7/1025;
 H02K 7/20918; H02K 3/24; H02K 3/47;
 H02K 37/12; H02K 37/14; F02B 63/04;
 F28D 15/0266; F28D 15/02; F28F 1/20
 See application file for complete search history.

(56) **References Cited**

U.S. PATENT DOCUMENTS

D511,138 S *	11/2005	Kwan	D13/112
D533,833 S *	12/2006	Sakai	D13/122
D552,540 S *	10/2007	Miyauchi	D13/112
D577,670 S *	9/2008	Oohashi	D13/113
D701,299 S *	3/2014	Oba	D23/370
D775,252 S *	12/2016	Shentu	D15/149
D780,238 S *	2/2017	Kato	D15/138
D857,627 S *	8/2019	Polini	D15/148

FOREIGN PATENT DOCUMENTS

KR 3007745778.0000 * 6/2014
 * cited by examiner

Primary Examiner — Derrick E Holland

(57) **CLAIM**
 The ornamental design for a compact motor reducer, as shown and described.

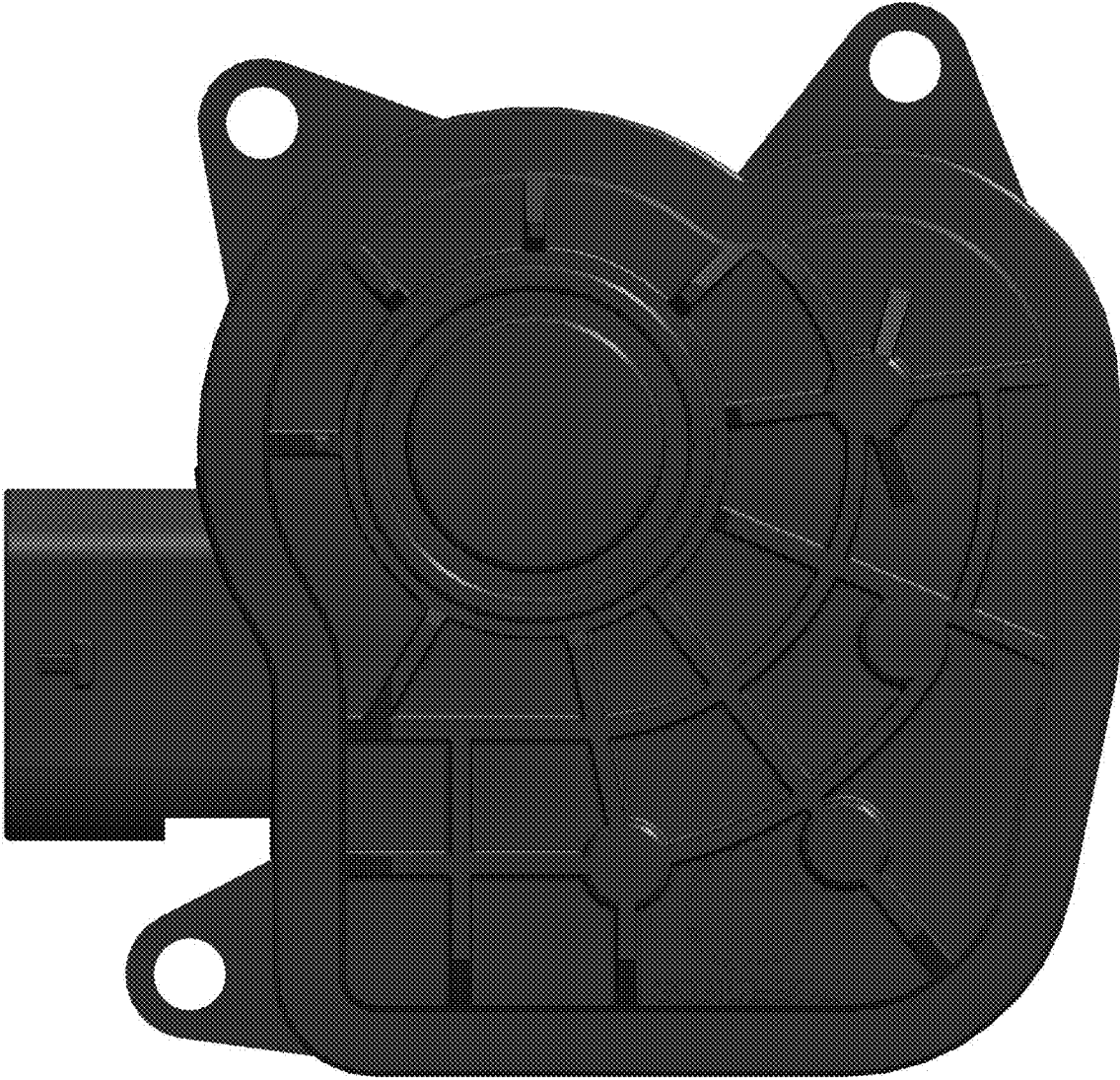
DESCRIPTION

1. Compact motor reducer
 1.1: is a front view;
 1.2: is a left view;
 1.3: is a right view;
 1.4: is a back perspective view;
 1.5: is a top plan view;
 1.6: is a back view; and
 1.7: is a front perspective view.

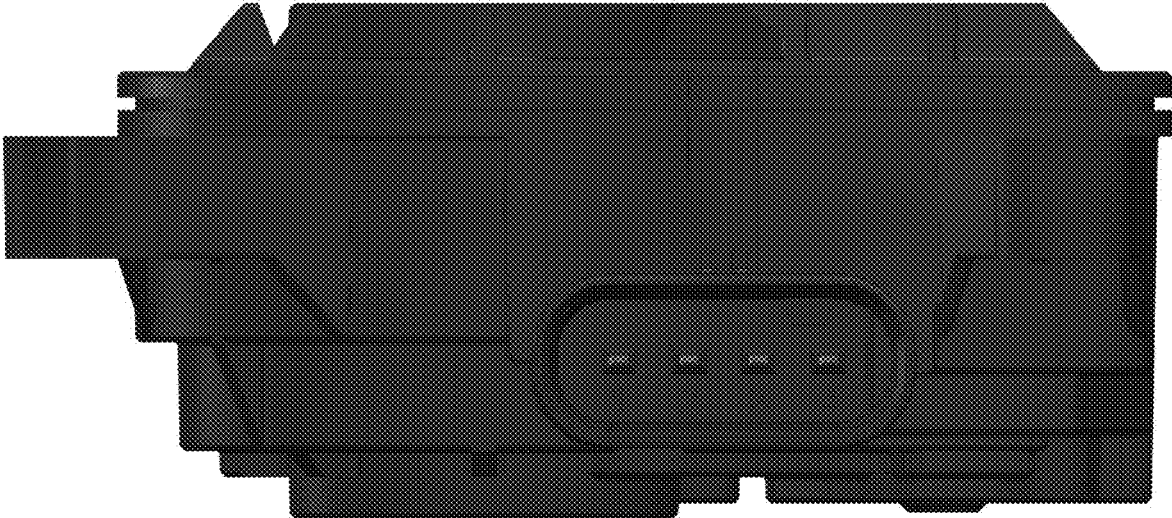
1 Claim, 7 Drawing Sheets



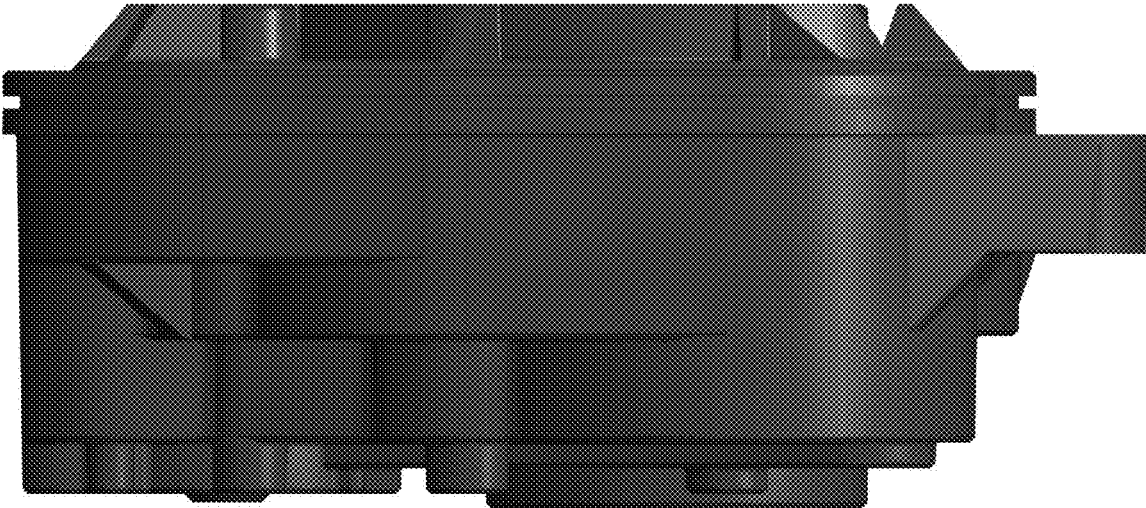
1.1



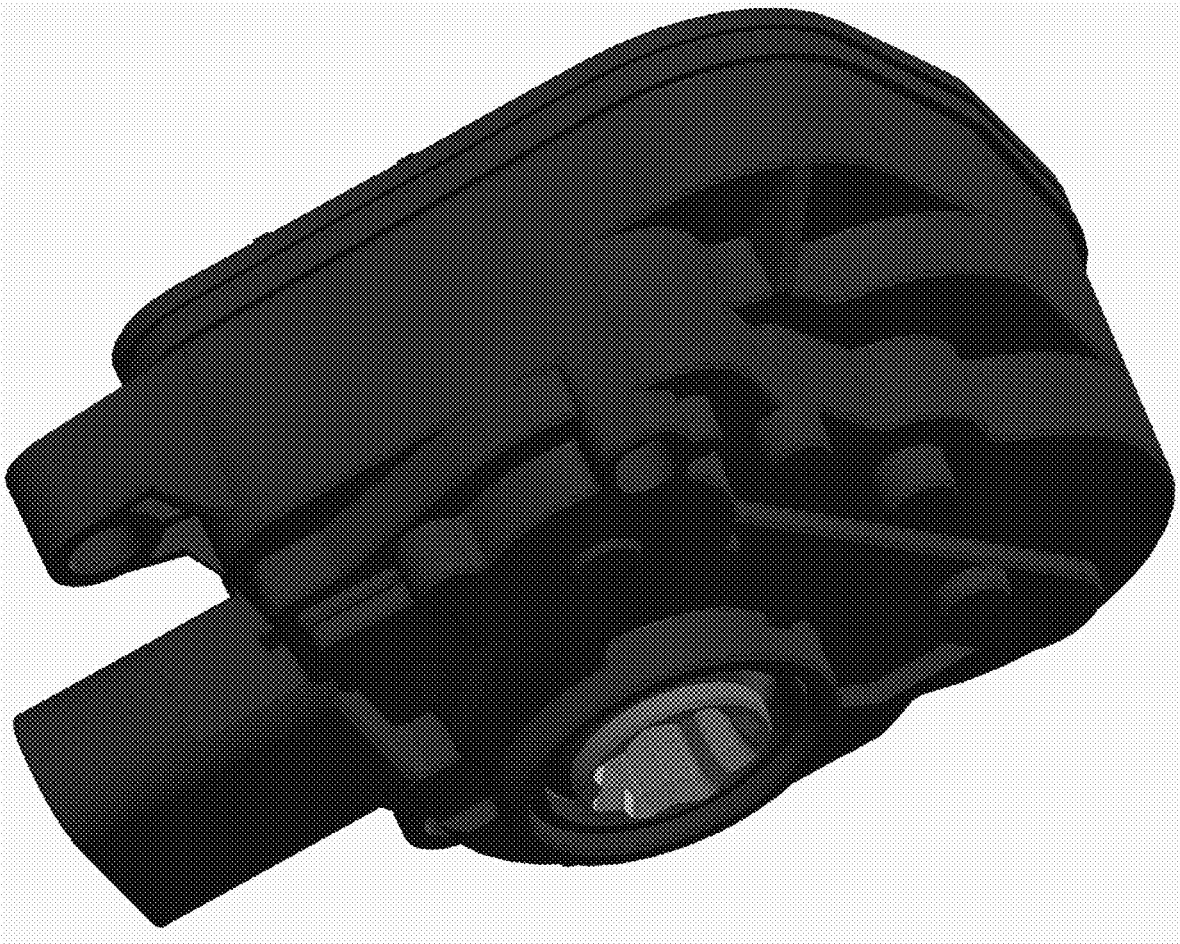
1.2



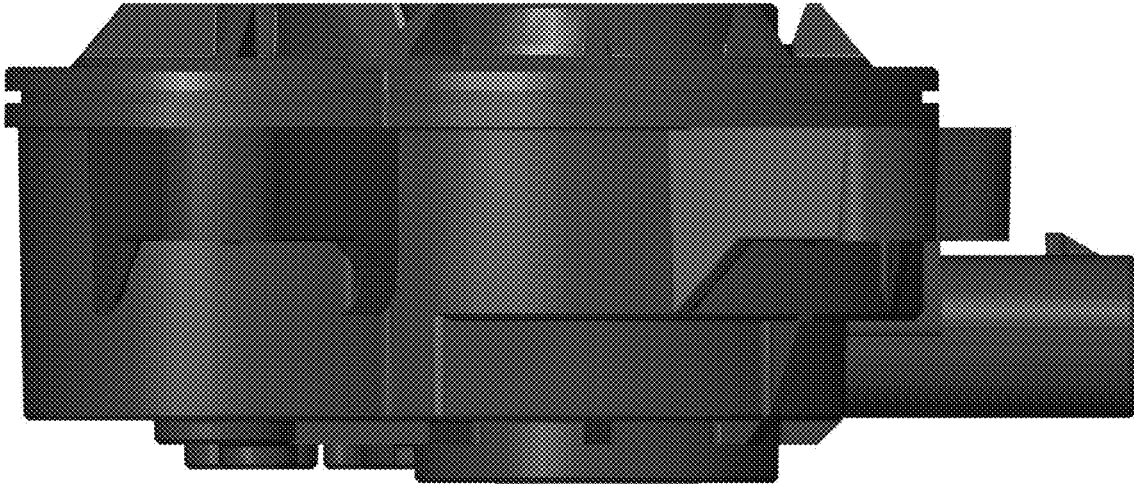
1.3



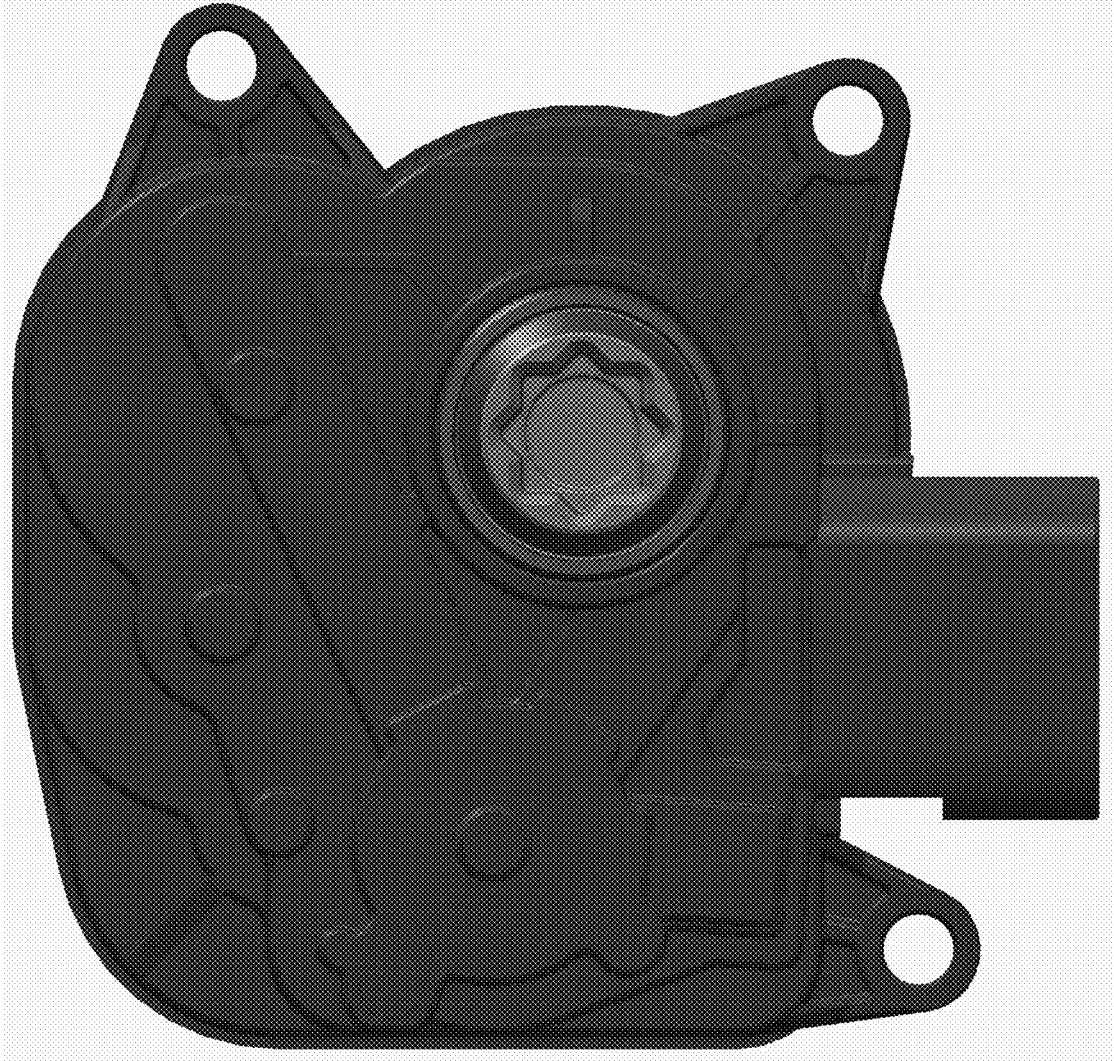
1.4



1.5



1.6



1.7

