



US00D590232S

(12) **United States Design Patent**
Demers et al.

(10) **Patent No.:** **US D590,232 S**
(45) **Date of Patent:** **** Apr. 14, 2009**

(54) **TOOL KNOB**

FOREIGN PATENT DOCUMENTS

(75) Inventors: **Brian Joseph Demers**, Huntersville, NC (US); **Joseph Allen Berlepsch**, Mooresville, NC (US)

EM 000702089-0002 6/2007
JP D1253453 10/2005

(Continued)

(73) Assignee: **Lowe's Companies, Inc.**, Mooresville, NC (US)

OTHER PUBLICATIONS

(**) Term: **14 Years**

Taiwanese Search Report for Design Application No. 096301910, dated Nov. 26, 2008.

(21) Appl. No.: **29/249,386**

Primary Examiner—Cathron C Brooks
Assistant Examiner—Barbara Fox

(22) Filed: **Oct. 4, 2006**

(74) *Attorney, Agent, or Firm*—Moore & Van Allen, PLLC; W. Kevin Ransom

(51) **LOC (9) Cl.** **08-05**

(52) **U.S. Cl.** **D8/107**

(58) **Field of Classification Search** D7/395;
D32/49; D8/20, 21, 51, 52, 58, 61, 68, 75,
D8/80, 82, 83, 90, 94, 95, 97, 107, 300, 303;
81/177.1, 489, 52; 16/422; D4/138

See application file for complete search history.

(57) **CLAIM**

The ornamental design for a tool knob, as shown and described.

(56) **References Cited**

DESCRIPTION

U.S. PATENT DOCUMENTS

D41,494 S *	6/1911	Seeley	D8/312
D218,009 S *	7/1970	Bosack	D8/312
D233,507 S *	11/1974	Stevens	D9/453
D246,691 S *	12/1977	Takahashi	D8/310
D271,843 S *	12/1983	Ferdinand et al.	D8/312
D282,236 S *	1/1986	Shohoji et al.	D8/61
D288,769 S	3/1987	Doman		
D288,770 S	3/1987	Doman		
D301,967 S *	7/1989	Sakamoto et al.	D8/67
D316,020 S *	4/1991	Fushiya et al.	D8/61
D324,411 S *	3/1992	Jolibois	D23/250
D325,506 S	4/1992	Michas et al.		
D328,559 S *	8/1992	Wilson	D8/312
D329,590 S *	9/1992	Chapman	D8/402
D365,742 S *	1/1996	Decursu et al.	D8/312
D387,734 S *	12/1997	Hawkins et al.	D13/158
D389,394 S *	1/1998	Taylor	D8/312
D422,481 S *	4/2000	Bertani	D8/310

FIG. 1 is a perspective view of the tool knob of the present invention;

FIG. 2 is an elevational view of the right side of the tool knob of FIG. 1;

FIG. 3 is an elevational view of the front side of the tool knob of FIG. 1;

FIG. 4 is an elevational view of the left side of the tool knob of FIG. 1;

FIG. 5 is an elevational view of the rear side of the tool knob of FIG. 1;

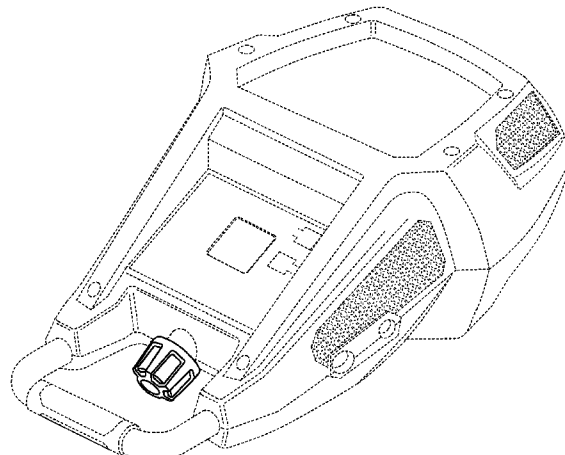
FIG. 6 is a plan view of the bottom side of the tool knob of FIG. 1; and,

FIG. 7 is a plan view of the top side of the tool knob of FIG. 1.

The broken lines shown herein are for illustrative purposes only and form no part of the claimed design.

(Continued)

1 Claim, 7 Drawing Sheets



US D590,232 S

Page 2

U.S. PATENT DOCUMENTS

D424,401 S * 5/2000 Ziemer D8/312
D433,344 S 11/2000 Hsu
D440,848 S * 4/2001 Izumisawa D8/61
6,363,579 B1 * 4/2002 King, Jr. 16/441
D471,784 S * 3/2003 Garvis et al. D8/68
D474,528 S 5/2003 Huang
D475,269 S * 6/2003 Matern D8/312
6,745,883 B2 * 6/2004 Eto et al. 192/56.62
D492,559 S * 7/2004 Itano D8/51
D495,226 S * 8/2004 Grant et al. D8/61
D510,247 S * 10/2005 White D8/68
D520,856 S * 5/2006 Osiecki et al. D8/312
D520,859 S * 5/2006 Osiecki et al. D8/321
D528,910 S * 9/2006 Kingsley D9/446
D529,357 S * 10/2006 Qiu D8/62
D530,200 S * 10/2006 Kingsley D9/446
D537,676 S * 3/2007 Kingsley D7/510
D543,828 S * 6/2007 Strutin-Belinoff et al. D8/310

D568,715 S * 5/2008 Gustafson et al. D8/310
D572,559 S 7/2008 Demers et al.
D572,561 S 7/2008 Demers et al.

FOREIGN PATENT DOCUMENTS

TW	144783	10/1990
TW	232614	10/1994
TW	443904	6/1999
TW	391820	5/2000
TW	405983	9/2000
TW	440384	6/2001
TW	453826	9/2001
TW	478775	3/2002
TW	542548	1/2003
TW	D106079	8/2005
TW	D106099	8/2005
TW	D110289	4/2006
TW	D114283	12/2006

* cited by examiner

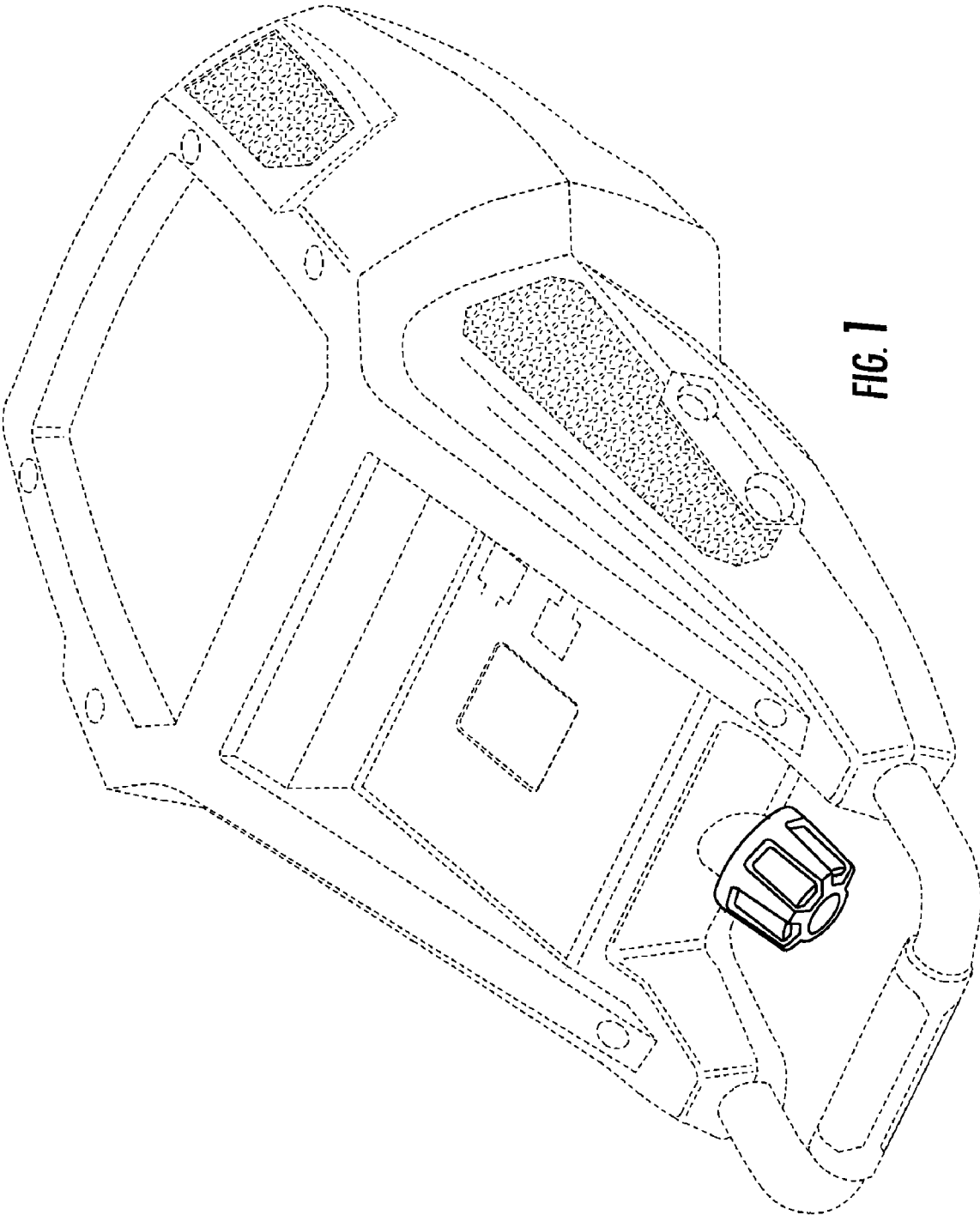


FIG. 1

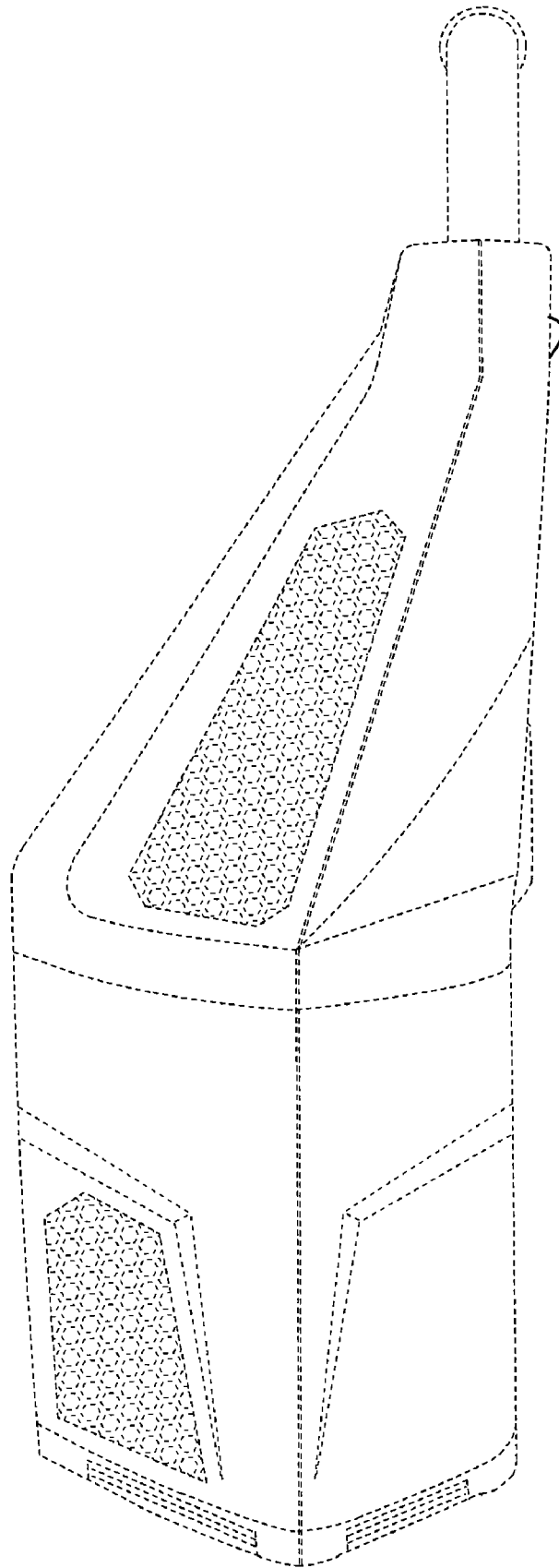


FIG. 2

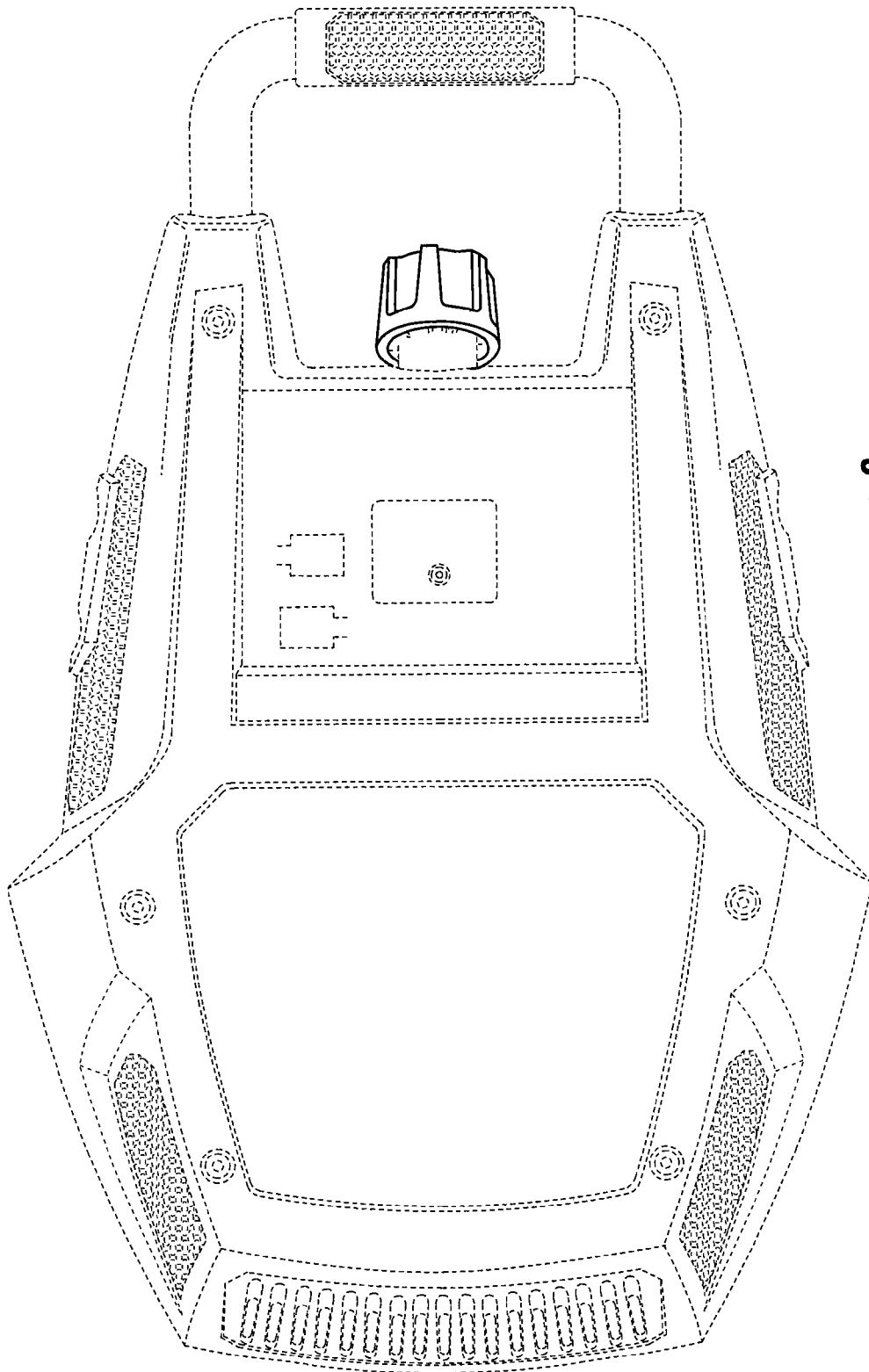


FIG. 3

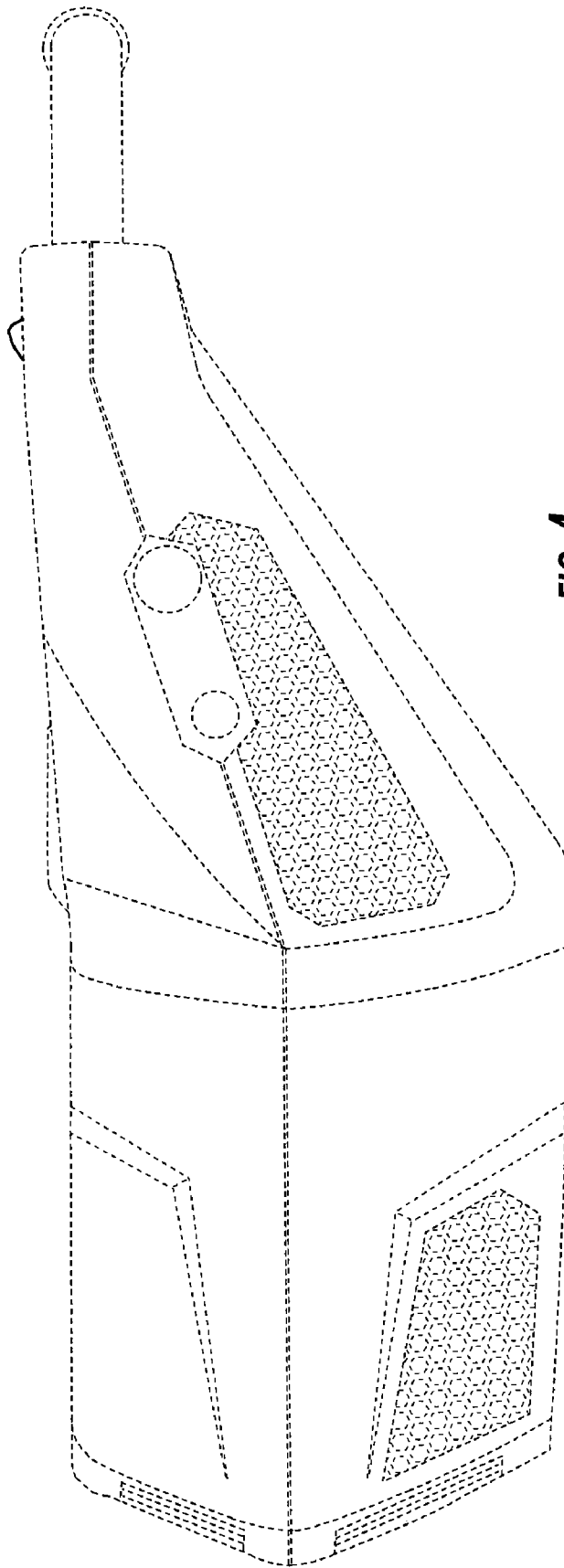


FIG. 4

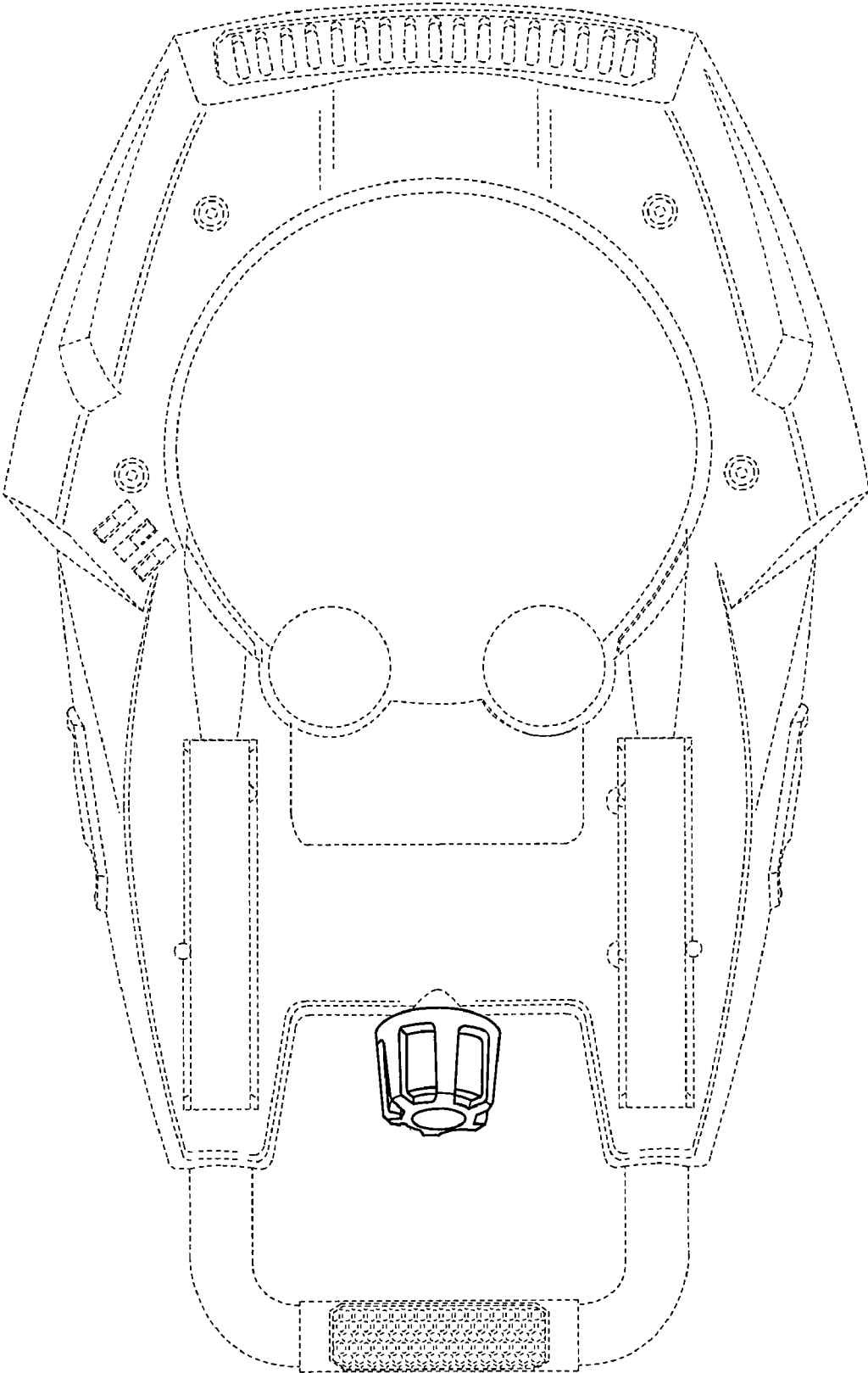
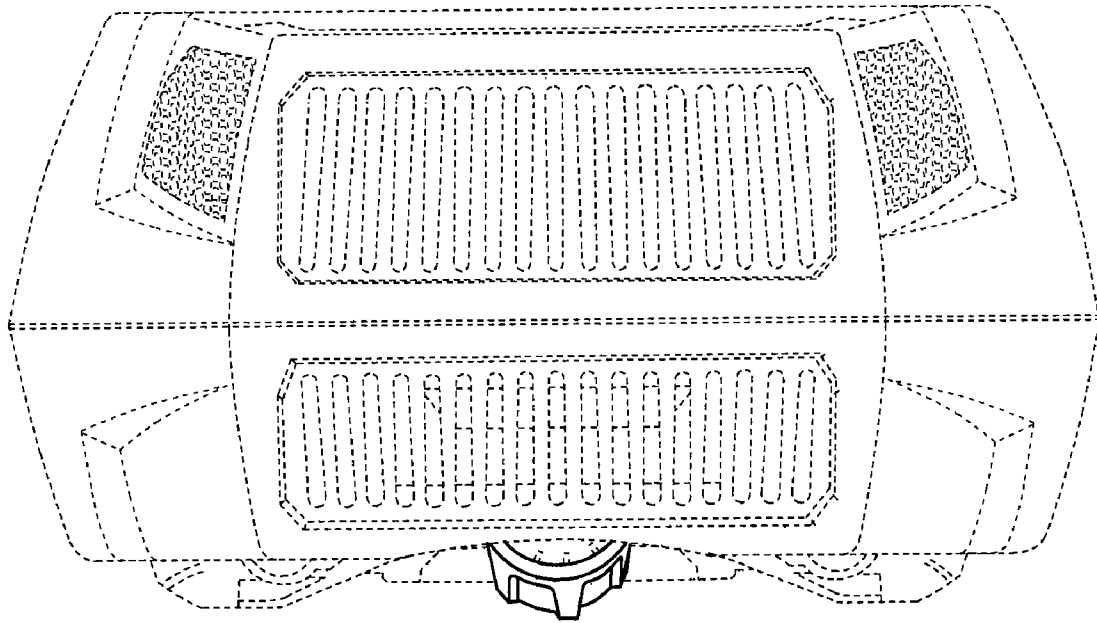


FIG. 5

FIG. 6



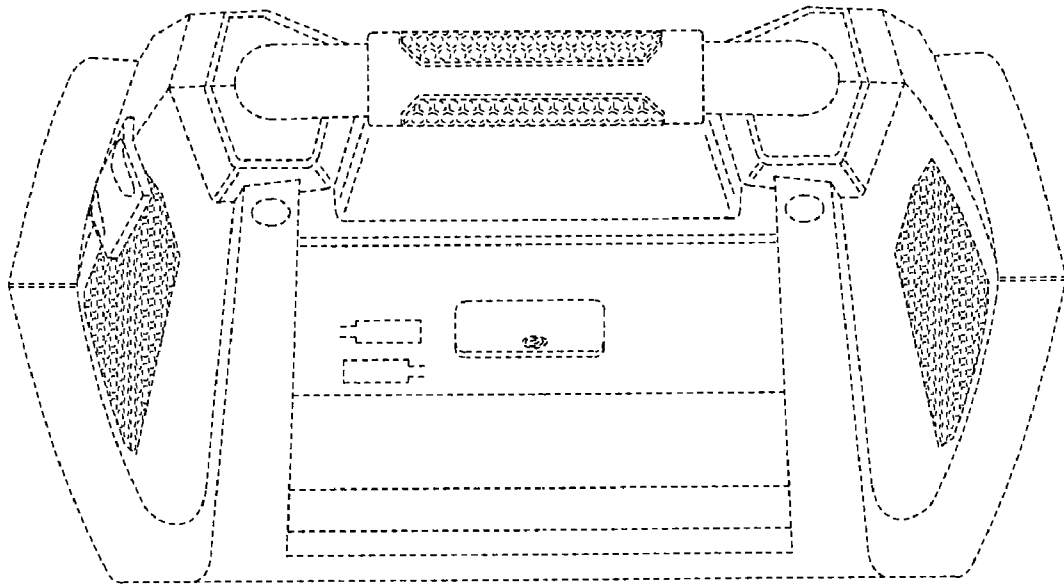


FIG. 7