



US0D1006916S

(12) **United States Design Patent**  
**Zheng**

(10) **Patent No.:** **US D1,006,916 S**

(45) **Date of Patent:** **\*\* Dec. 5, 2023**

(54) **ROLLER WHEEL**

(71) Applicant: **Fuzhou Xinghuo Ecommerce Co., Ltd.**, Fuzhou (CN)

(72) Inventor: **Yuxing Zheng**, Fuzhou (CN)

(73) Assignee: **Fuzhou Xinghuo Ecommerce Co., Ltd.**, Fuzhou (CN)

(\*\*) Term: **15 Years**

(21) Appl. No.: **29/909,703**

(22) Filed: **Aug. 9, 2023**

(51) **LOC (14) Cl.** ..... **21-02**

(52) **U.S. Cl.**  
USPC ..... **D21/662**

(58) **Field of Classification Search**  
USPC ..... D21/662, 665, 667, 682, 686, 689, 690,  
D21/692; 482/61, 93, 127, 132  
CPC ..... A63B 21/0004; A63B 22/20  
See application file for complete search history.

(56) **References Cited**

**U.S. PATENT DOCUMENTS**

|               |         |                   |              |
|---------------|---------|-------------------|--------------|
| D278,794 S *  | 5/1985  | Vater .....       | D8/377       |
| D377,254 S *  | 1/1997  | Cavalliere .....  | D34/24       |
| 5,800,316 A * | 9/1998  | Huang .....       | A63B 21/4049 |
|               |         |                   | 482/61       |
| D607,901 S *  | 1/2010  | Hartman .....     | D15/14       |
| D745,614 S    | 12/2015 | Ho et al. ....    |              |
| D895,742 S *  | 9/2020  | Vorozilchak ..... | D21/686      |

|                   |         |                   |              |
|-------------------|---------|-------------------|--------------|
| D949,252 S *      | 4/2022  | Chen .....        | D21/662      |
| D949,267 S *      | 4/2022  | Vorozilchak ..... | D21/698      |
| D997,268 S *      | 8/2023  | Chen .....        | D21/665      |
| 2004/0039426 A1 * | 2/2004  | Hurtado .....     | A63B 23/0244 |
|                   |         |                   | 607/48       |
| 2012/0264578 A1 * | 10/2012 | Frederick .....   | A63B 22/20   |
|                   |         |                   | 482/132      |
| 2016/0250513 A1 * | 9/2016  | Ho .....          | A63B 23/04   |
|                   |         |                   | 482/127      |
| 2017/0232293 A1 * | 8/2017  | Deen .....        | A63B 69/0062 |
|                   |         |                   | 482/93       |
| 2018/0311522 A1 * | 11/2018 | Schmidt .....     | A63B 21/4009 |

\* cited by examiner

*Primary Examiner* — Katie Jane Stofko

(74) *Attorney, Agent, or Firm* — Nitin Kaushik

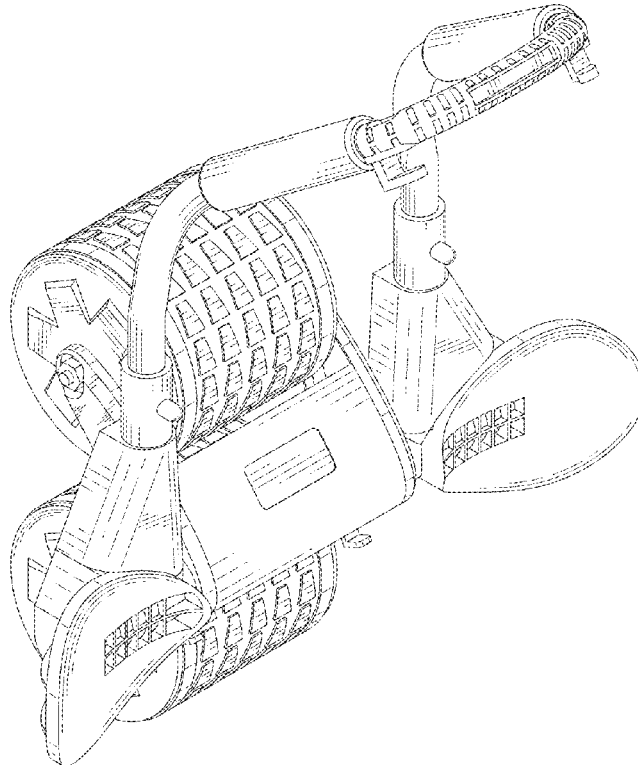
(57) **CLAIM**

The ornamental design for a roller wheel, as shown and described.

**DESCRIPTION**

FIG. 1 is a front, top and left side perspective view of a roller wheel, showing my new design;  
FIG. 2 is a front view thereof;  
FIG. 3 is a rear view thereof;  
FIG. 4 is a left side view thereof;  
FIG. 5 is a right side view thereof;  
FIG. 6 is a top view thereof; and,  
FIG. 7 is a bottom view thereof.

**1 Claim, 7 Drawing Sheets**



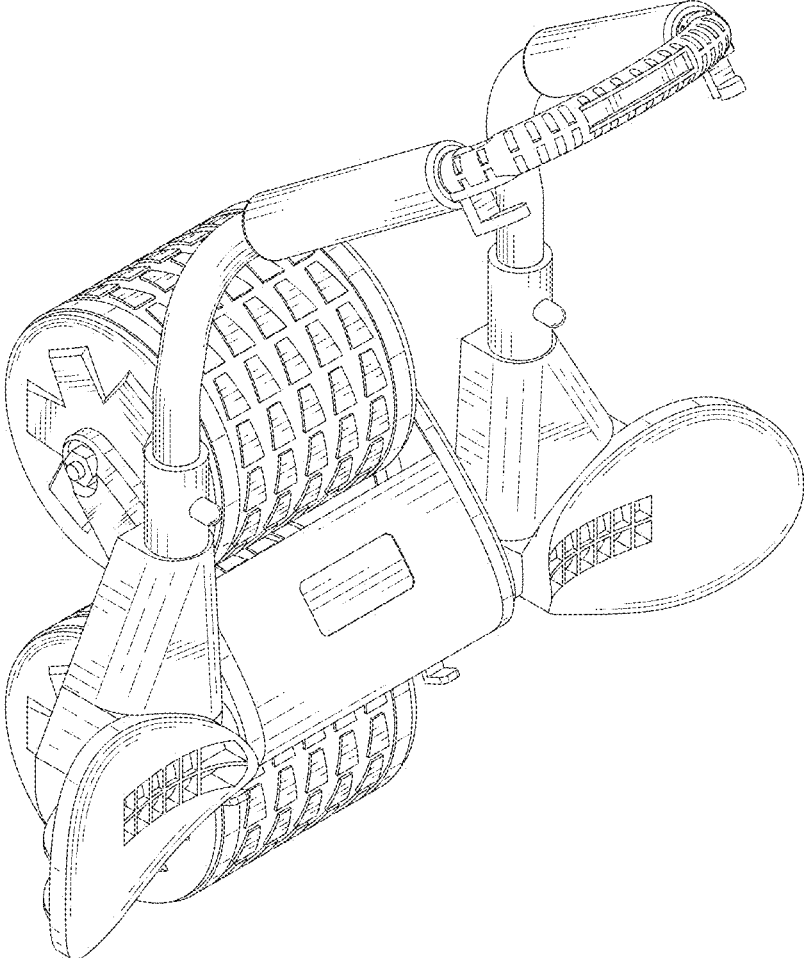


FIG. 1

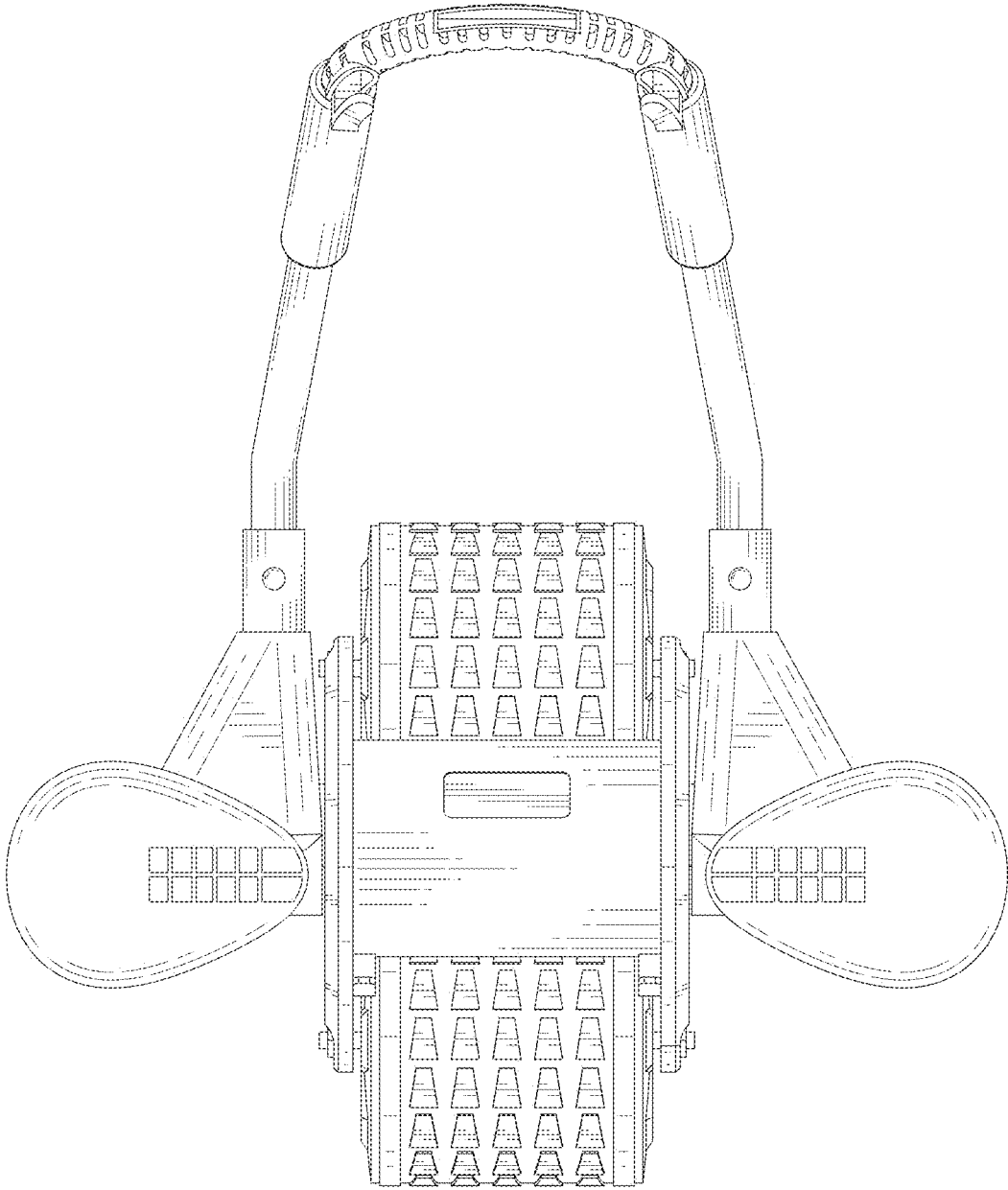


FIG. 2

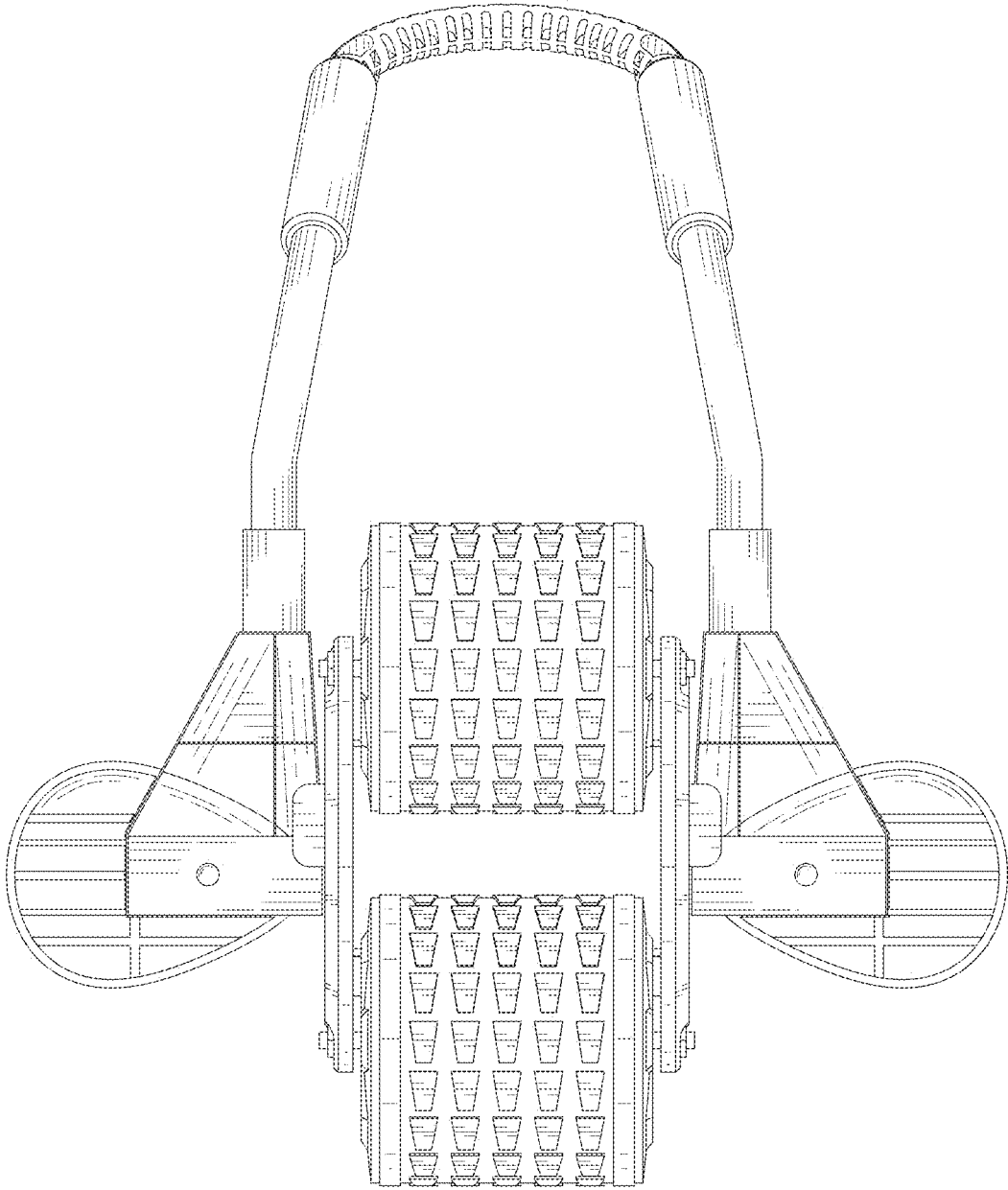


FIG. 3

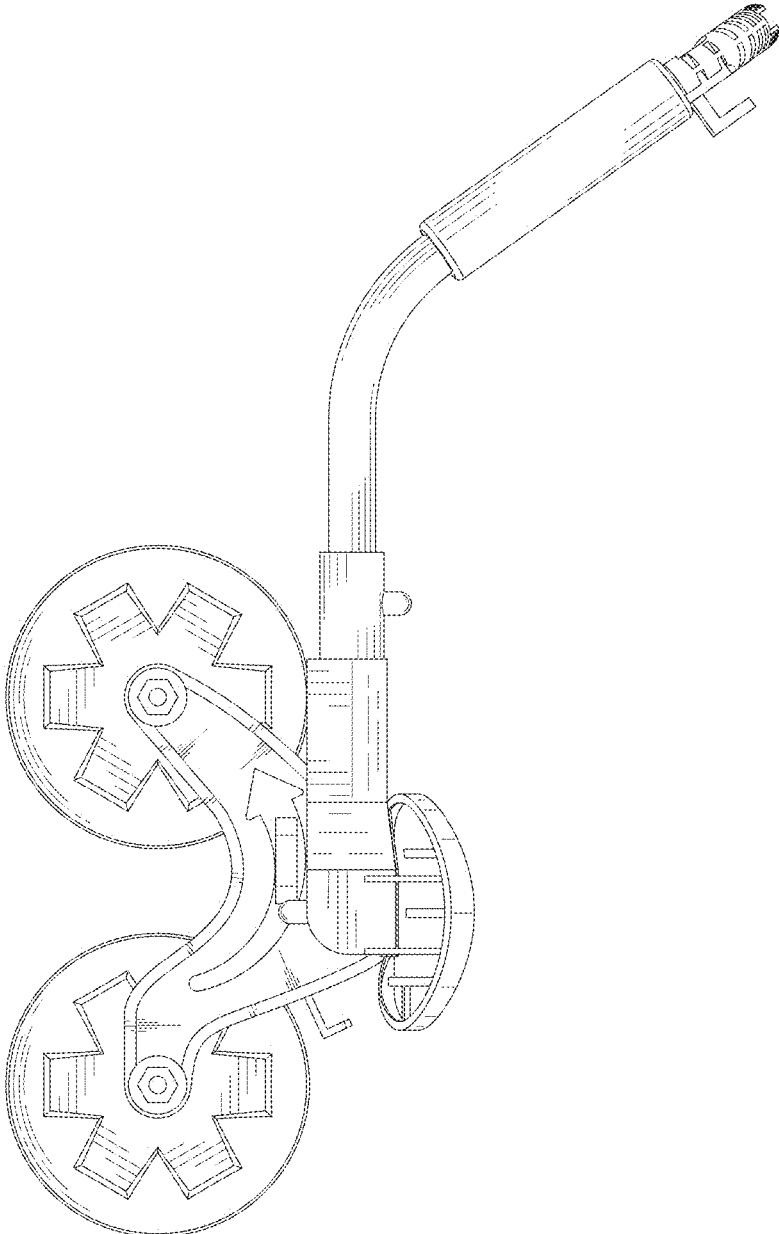


FIG. 4

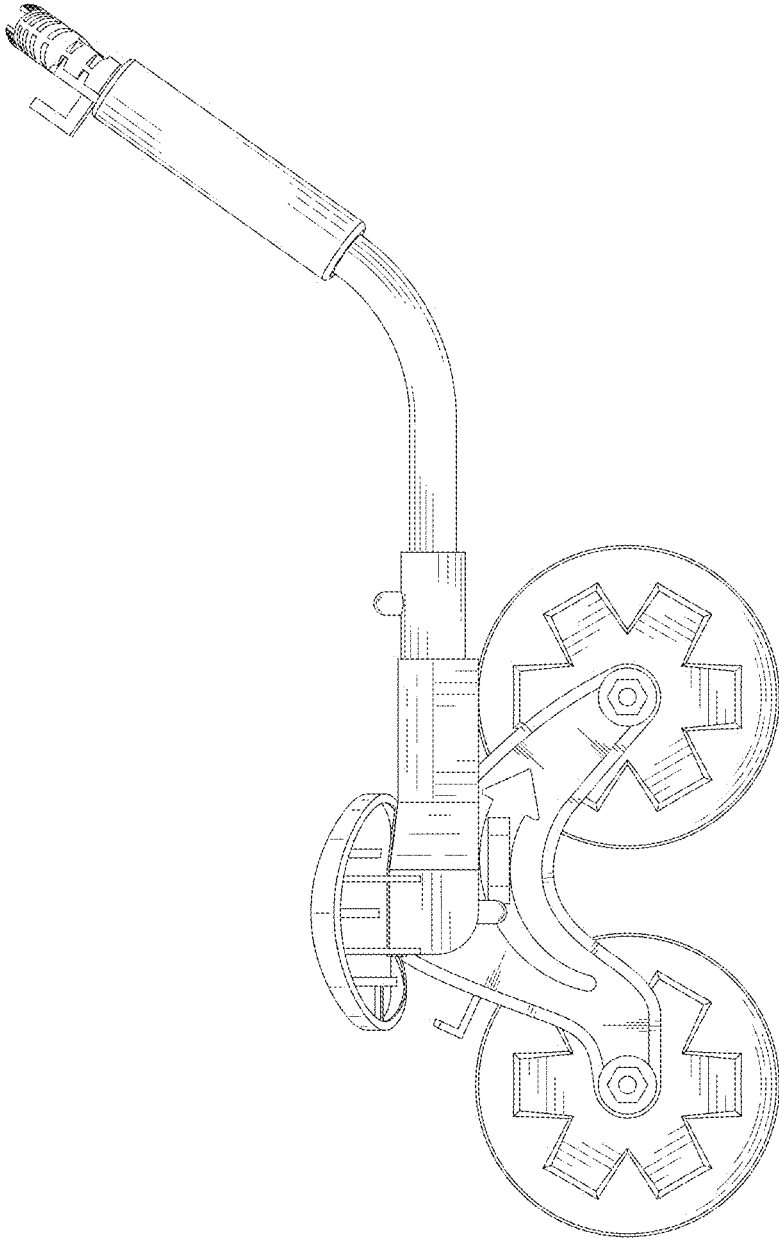


FIG. 5

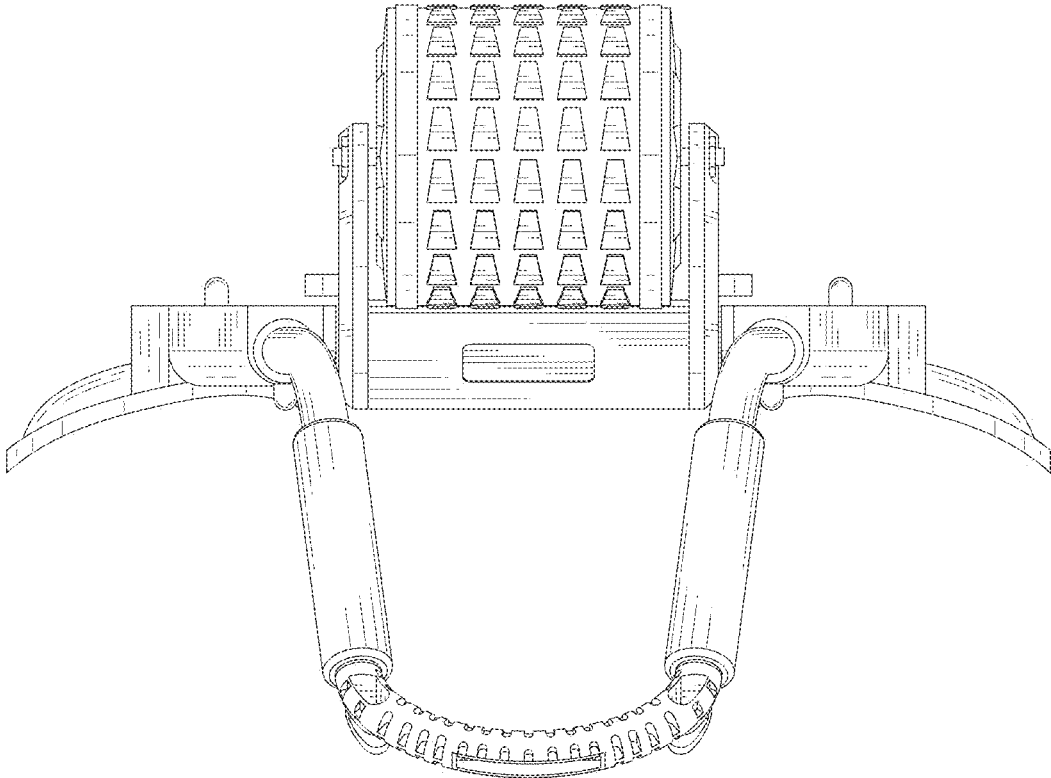


FIG. 6

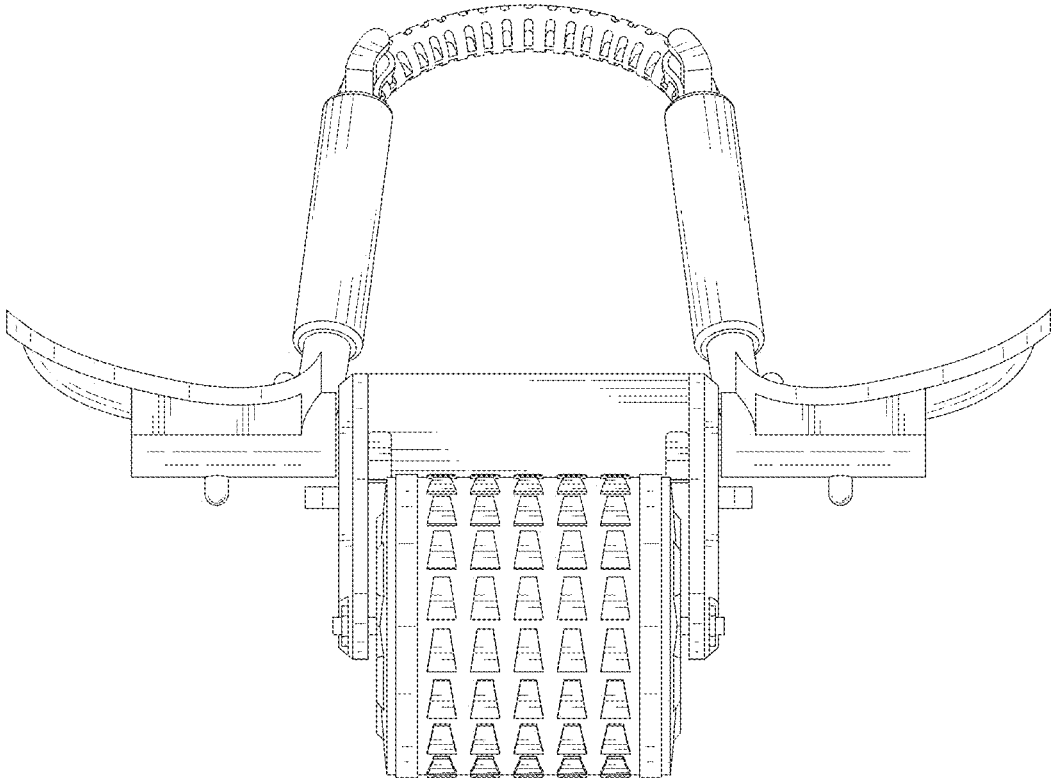


FIG. 7