



US00D678607S

(12) **United States Design Patent**
Parodi

(10) **Patent No.:** **US D678,607 S**

(45) **Date of Patent:** **** Mar. 19, 2013**

(54) **ELECTRIC HAIR DRYER**

(75) Inventor: **Paolo Parodi**, Milan (IT)

(73) Assignee: **Parlux SpA**, Trezzano Sul Naviglio
(Milano) (IT)

(**) Term: **14 Years**

(21) Appl. No.: **29/399,972**

(22) Filed: **Aug. 22, 2011**

(30) **Foreign Application Priority Data**

May 2, 2011 (EM) 1858085

(51) **LOC (9) Cl.** **28-03**

(52) **U.S. Cl.** **D28/13**

(58) **Field of Classification Search** D28/12-19;
34/96-101; 392/380-385; 219/222
See application file for complete search history.

(56) **References Cited**

U.S. PATENT DOCUMENTS

D470,975 S	*	2/2003	Rizzuto, Jr.	D28/13
D494,710 S	*	8/2004	Parodi	D28/13
D496,754 S	*	9/2004	Parodi	D28/13
D518,919 S	*	4/2006	Parodi	D28/13

D528,698 S	*	9/2006	Rizzuto, Jr.	D28/13
D606,249 S	*	12/2009	Leung	D28/13
D615,243 S	*	5/2010	Parodi	D28/13

* cited by examiner

Primary Examiner — Zenia Bennett

(74) *Attorney, Agent, or Firm* — Jacobson Holman PLLC

(57) **CLAIM**

The ornamental design for a electric hair dryer, as shown and described.

DESCRIPTION

FIG. 1 is a front perspective view of the electric hair dryer showing my new design;

FIG. 2 is a rear perspective view of the electric hair dryer as shown in FIG. 1;

FIG. 3 is a right-hand side elevation view of the electric hair dryer as shown in FIG. 1;

FIG. 4 is a front elevation view of the electric hair dryer as shown in FIG. 1;

FIG. 5 is a left-hand side elevation view of the electric hair dryer as shown in FIG. 1;

FIG. 6 is a rear elevation view of the electric hair dryer as shown in FIG. 1; and,

FIG. 7 is a top plan view thereof.

The portion shown in broken lines is for illustrative purpose only and forms no part of the claimed design.

1 Claim, 7 Drawing Sheets

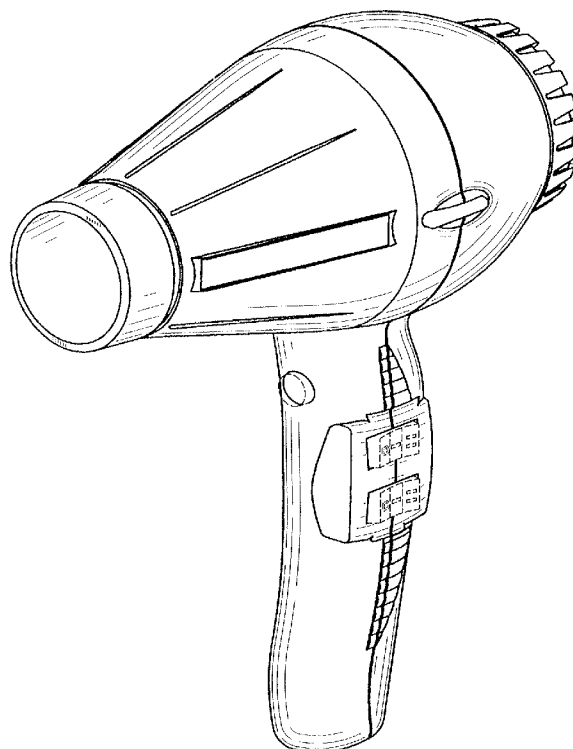


FIG. 1

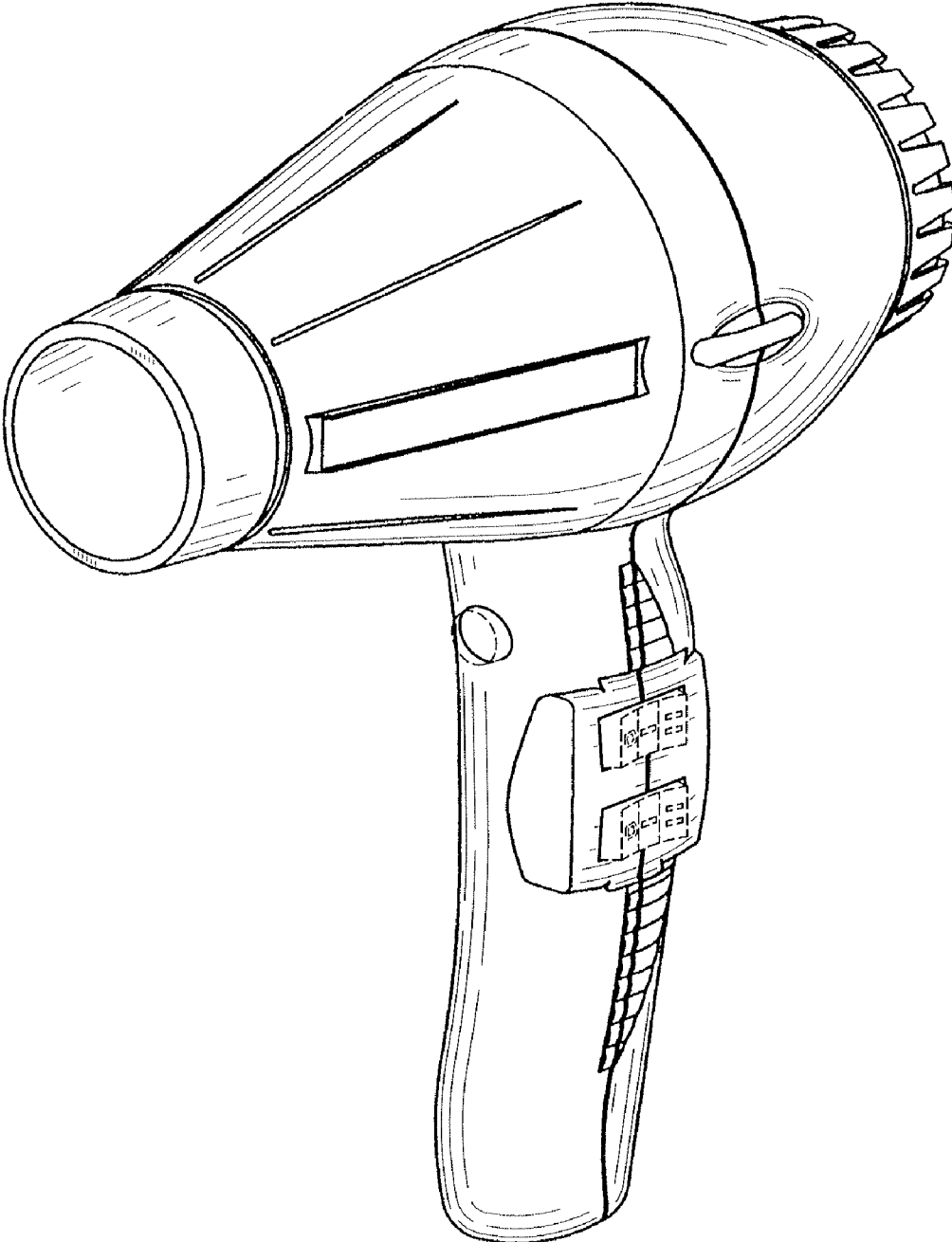


FIG. 2

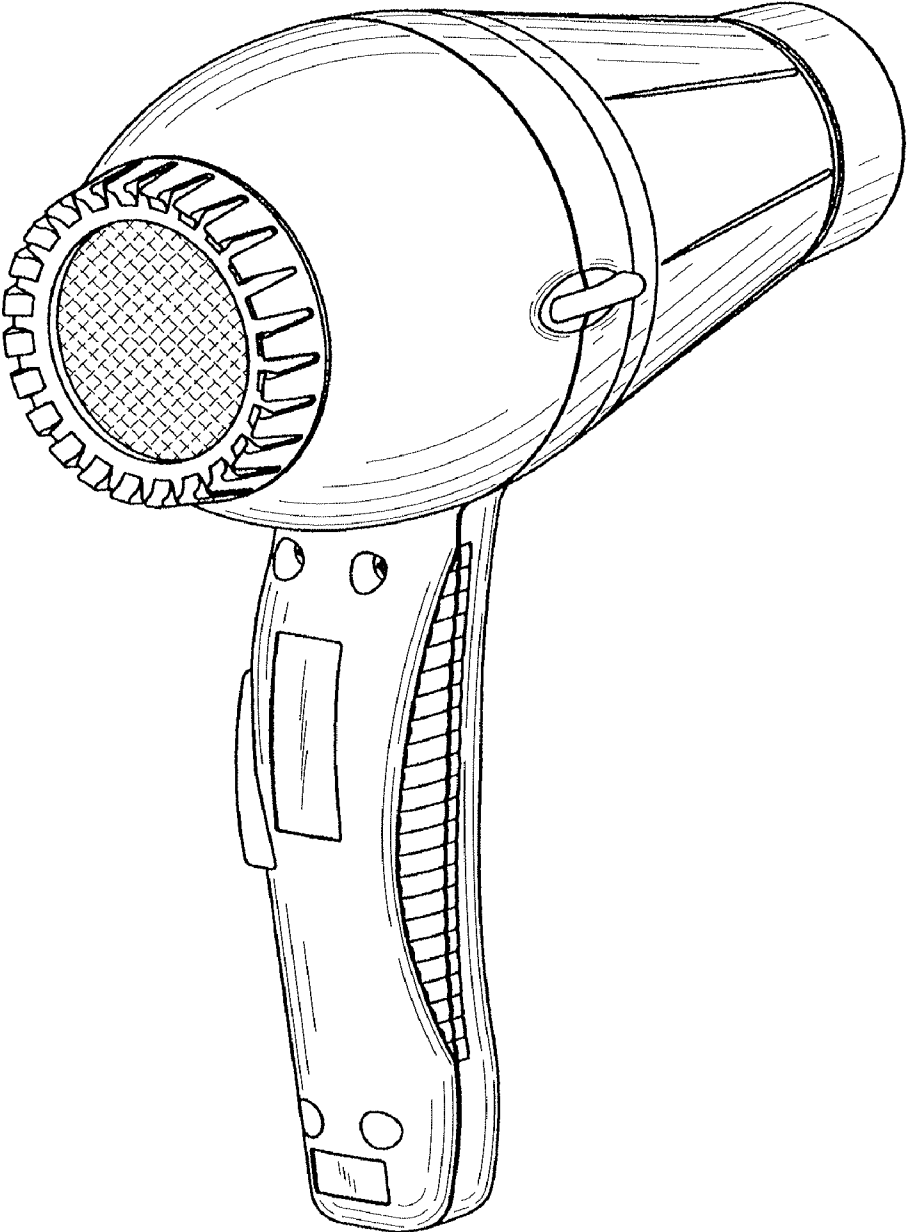


FIG. 3

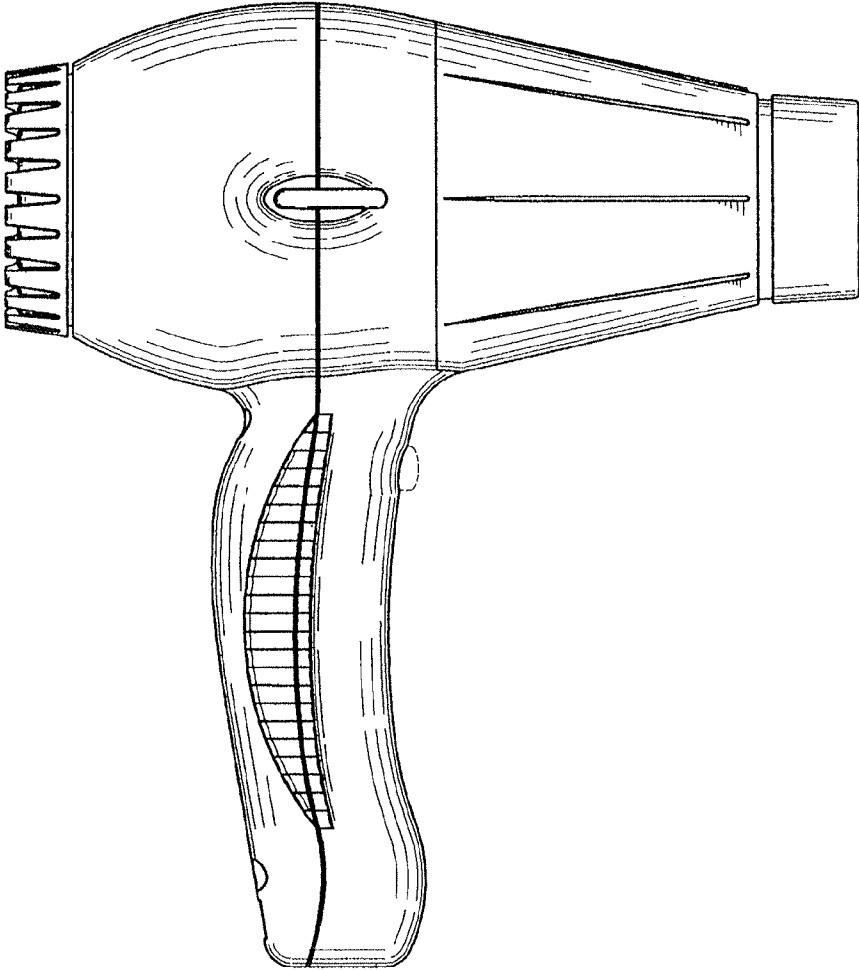


FIG. 4

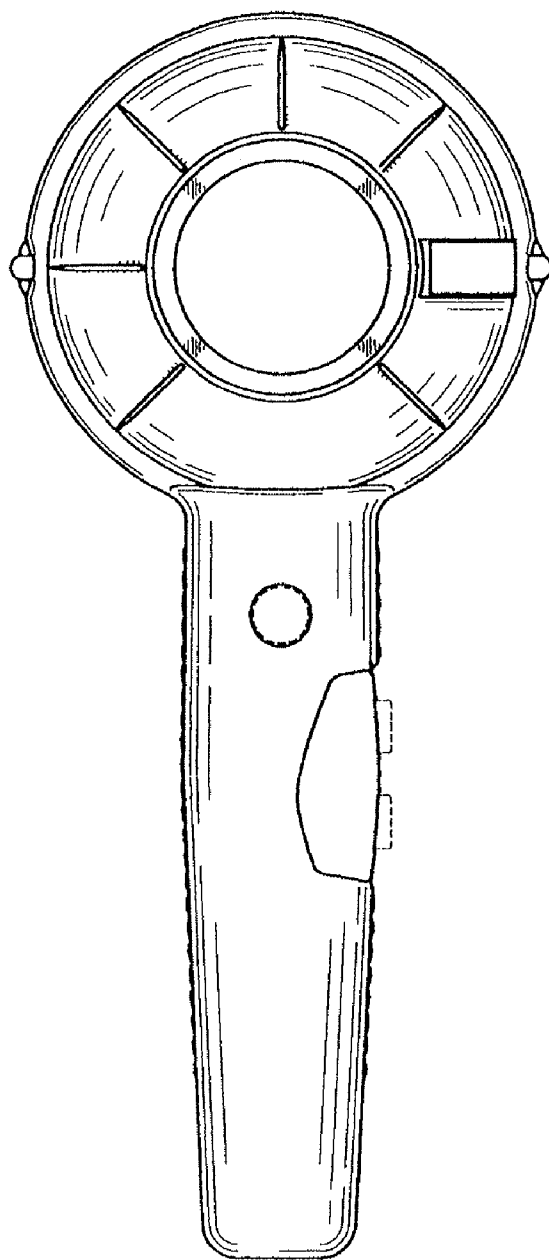


FIG. 5

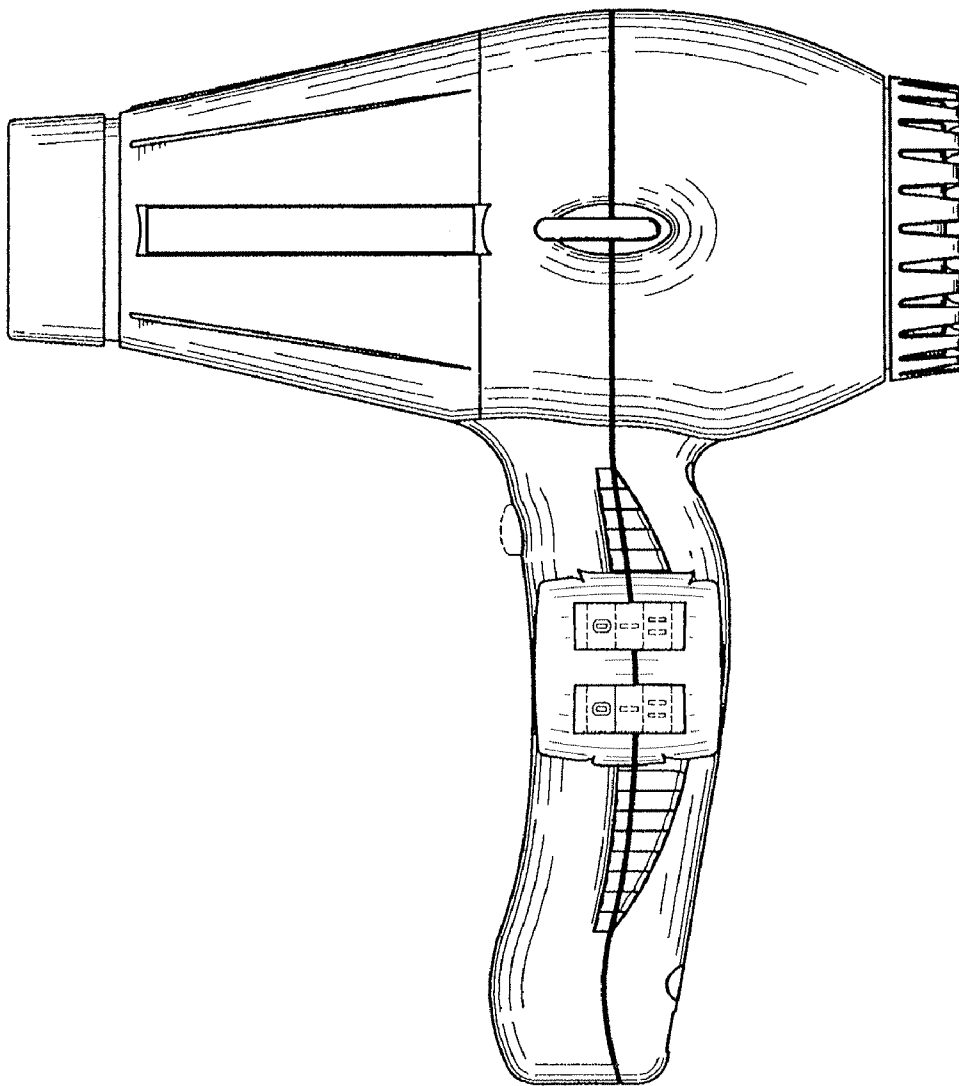


FIG. 6

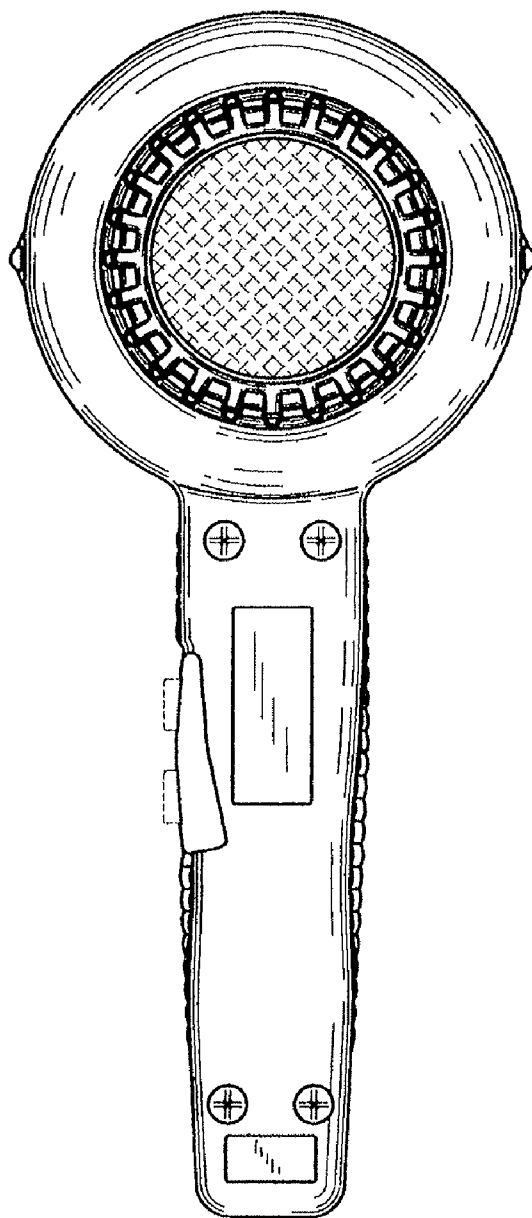


FIG. 7

