



US00D631292S

(12) **United States Design Patent**  
**Bodum**

(10) **Patent No.:** **US D631,292 S**

(45) **Date of Patent:** **\*\* Jan. 25, 2011**

(54) **KNIFE**

(74) *Attorney, Agent, or Firm*—Sughrue Mion, PLLC

(75) Inventor: **Jorgen Bodum**, Meggen (CH)

(57) **CLAIM**

(73) Assignee: **Pi-Design AG**, Triengen (CH)

The ornamental design for a knife, as shown and described.

(\*\*) Term: **14 Years**

(21) Appl. No.: **29/364,853**

**DESCRIPTION**

(22) Filed: **Jun. 29, 2010**

(30) **Foreign Application Priority Data**

Dec. 30, 2009 (WO) ..... 527 156 101  
Apr. 1, 2010 (WO) ..... 542 001 301

FIG. 1 is a perspective view of the knife;  
FIG. 2 is a left side view of the knife;  
FIG. 3 is a right side view of the knife;  
FIG. 4 is a top view of the knife;  
FIG. 5 is a bottom view of the knife;  
FIG. 6 is a front side view of the knife;  
FIG. 7 is a back side view of the knife;  
FIG. 8 is a cross-sectional view of the knife taken through line 8—8 of FIG. 4;  
FIG. 9 is a perspective view of a second embodiment of the knife;  
FIG. 10 is left side view of the second embodiment of the knife;  
FIG. 11 is a right side view of the second embodiment of the knife;  
FIG. 12 is a top view of the second embodiment of the knife;  
FIG. 13 is a bottom view of the second embodiment of the knife;  
FIG. 14 is a front side view of the second embodiment of the knife;  
FIG. 15 is a back side view of the second embodiment of the knife; and,  
FIG. 16 is a cross-sectional view of the knife taken through line 16—16 of FIG. 12;  
The broken lines depict environmental subject matter only and form no part of the claimed design.

(51) **LOC (9) Cl.** ..... **07-02**

(52) **U.S. Cl.** ..... **D7/401.2; D7/649**

(58) **Field of Classification Search** ..... D7/368,  
D7/387, 393–395, 401.2, 642–654, 669, 675–676,  
D7/688–696; D8/20, 97–99, 102, 107, 300,  
D8/303, 321; D22/117–118; D24/133, 147;  
D32/52; 16/110.1, 407, 430, DIG. 18; 30/136,  
30/142–150, 329, 340–346, 355

See application file for complete search history.

(56) **References Cited**

**U.S. PATENT DOCUMENTS**

D446,689 S \* 8/2001 Van Leeuwen ..... D7/649  
D456,667 S \* 5/2002 Veltri et al. .... D7/387  
D458,516 S \* 6/2002 Parlowski ..... D7/649  
D463,952 S \* 10/2002 Zemel ..... D7/393  
D469,327 S \* 1/2003 Chen ..... D8/107  
D480,189 S \* 9/2003 Libman et al. .... D32/52  
D563,160 S \* 3/2008 Schmidt ..... D7/395  
D567,033 S \* 4/2008 Seidenfaden ..... D7/649

(Continued)

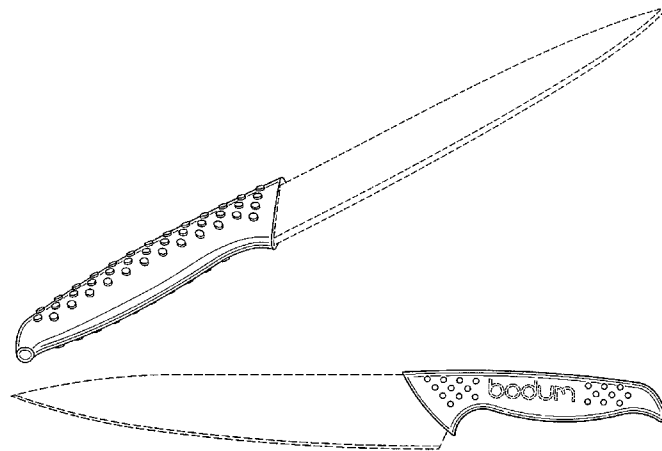
**OTHER PUBLICATIONS**

Extract from Bodum catalogue 2004/2005, pp. 156.

(Continued)

*Primary Examiner*—Ricky Pham

**1 Claim, 16 Drawing Sheets**



# US D631,292 S

Page 2

---

## U.S. PATENT DOCUMENTS

D587,535 S \* 3/2009 Sverdrup-Jensen et al. ... D7/649  
D612,706 S \* 3/2010 Libman et al. .... D8/321  
D614,455 S \* 4/2010 Sverdrup-Jensen et al. ... D7/654  
D621,230 S \* 8/2010 Sverdrup-Jensen et al. ... D7/649

D621,231 S \* 8/2010 Sverdrup-Jensen et al. ... D7/649

## OTHER PUBLICATIONS

Extract from Bodum catalogue 2006/2007, pp. 66 to 71.  
Extract from Bodum catalogue 2002/2003, pp. 94 to 95.  
\* cited by examiner

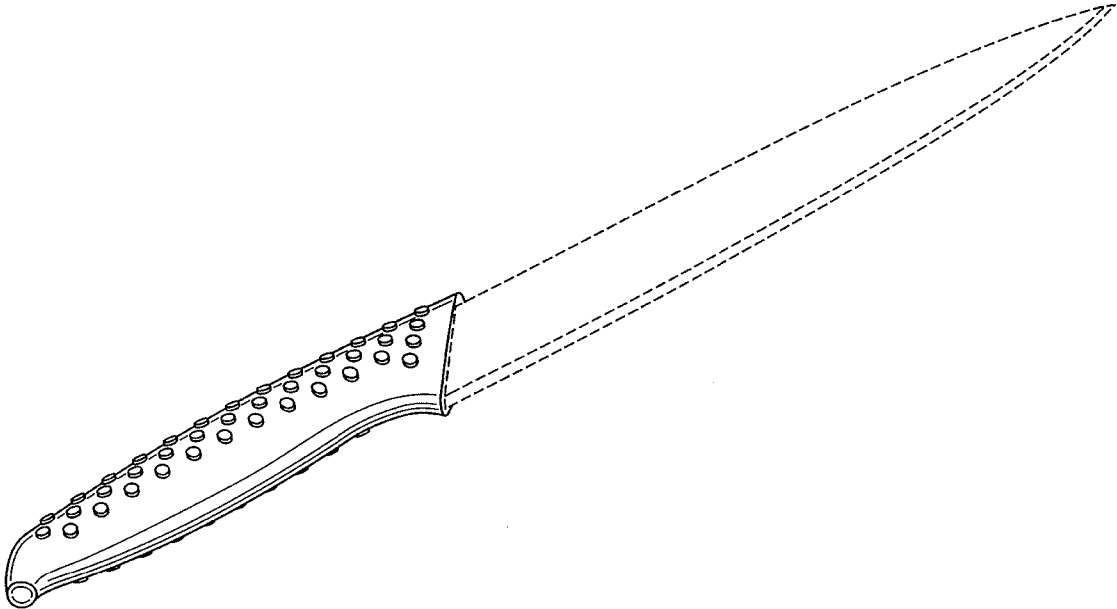


Figure 1

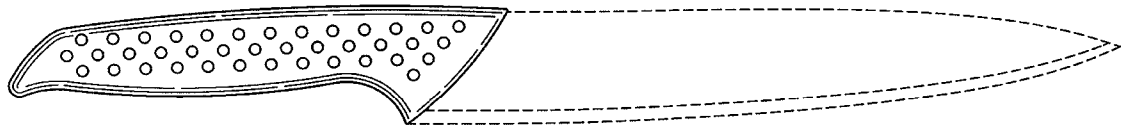


Figure 2



Figure 3

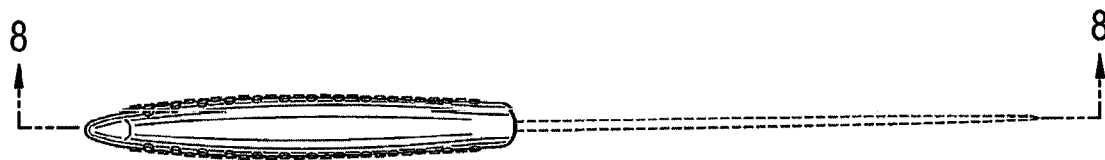


Figure 4

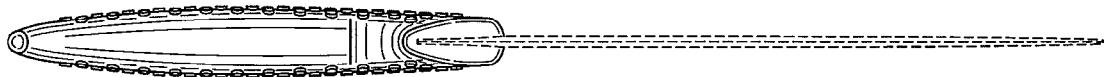


Figure 5



**Figure 6**





**Figure 7**

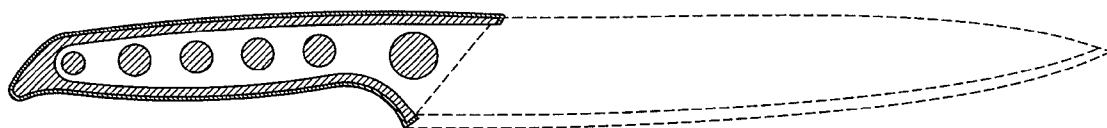


Figure 8

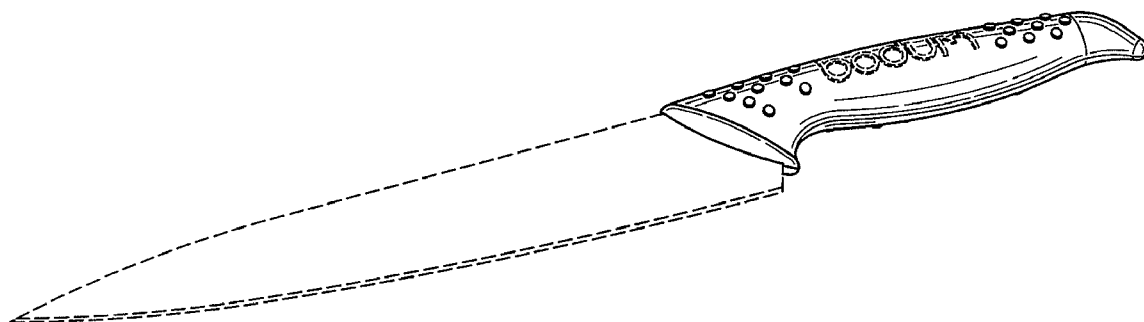


Figure 9

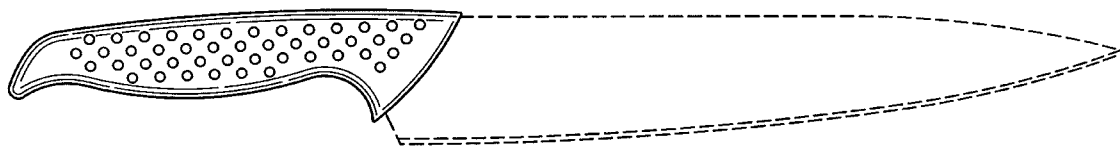


Figure 10

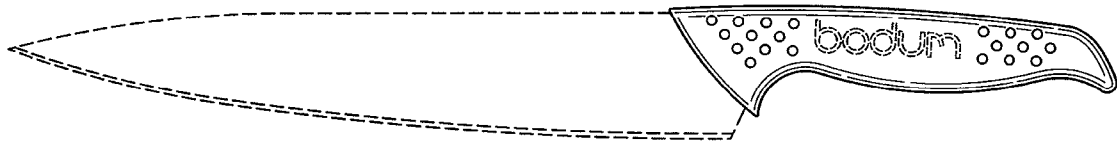


Figure 11

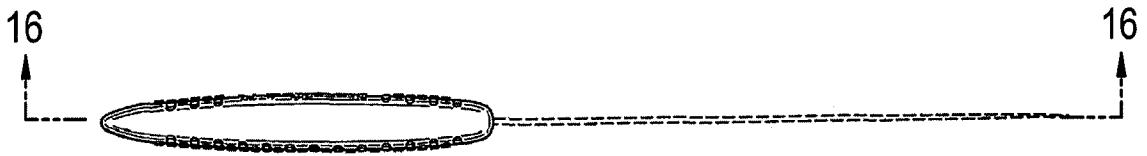


Figure 12



Figure 13



**Figure 14**





**Figure 15**



Figure 16