



US00D951220S

(12) **United States Design Patent**  
**Cho et al.**

(10) **Patent No.:** **US D951,220 S**

(45) **Date of Patent:** **\*\* May 10, 2022**

(54) **DISPLAY DEVICE**

OTHER PUBLICATIONS

(71) Applicant: **Samsung Display Co., Ltd.**, Yongin-si (KR)

U.S. Office Action dated Aug. 23, 2021, issued in U.S. Appl. No. 29/721,109 (10 pages).

(Continued)

(72) Inventors: **Eui Ri Cho**, Suwon-si (KR); **Hyun Joo Lee**, Cheongju-si (KR); **Seung-Gyun Woo**, Hwaseong-si (KR); **Jun Woo Kim**, Seoul (KR)

*Primary Examiner* — Bridget L Eland  
(74) *Attorney, Agent, or Firm* — Lewis Roca Rothgerber Christie LLP

(73) Assignee: **Samsung Display Co., Ltd.**, Yongin-si (KR)

(57) **CLAIM**

The ornamental design for a display device, as shown and described.

(\*\*) Term: **15 Years**

**DESCRIPTION**

(21) Appl. No.: **29/721,123**

(22) Filed: **Jan. 17, 2020**

(30) **Foreign Application Priority Data**

Jul. 17, 2019 (KR) ..... 30-2019-0034285  
Jul. 17, 2019 (KR) ..... 30-2019-0034286

(51) **LOC (13) Cl.** ..... **14-03**

(52) **U.S. Cl.**  
USPC ..... **D14/138 AB**

(58) **Field of Classification Search**  
USPC ..... D14/138 G, 138 AB, 248, 138 C, 432,  
D14/439, 341, 345, 371, 374, 138 R,  
D14/138 AA, 138 AC, 138 AD  
(Continued)

(56) **References Cited**

U.S. PATENT DOCUMENTS

D560,197 S \* 1/2008 Kim ..... D14/138 AB  
D616,465 S \* 5/2010 Jones ..... D14/496  
(Continued)

FOREIGN PATENT DOCUMENTS

CN 302789737 \* 4/2014  
CN 303454575 \* 11/2015  
(Continued)

FIG. 1 is a front perspective view of a first embodiment of a display device, showing our new design in a folded state; FIG. 2 is a front view thereof; FIG. 3 is a rear view thereof; FIG. 4 is a left side view thereof; FIG. 5 is a right side view thereof; FIG. 6 is a top view thereof, with the bottom view being a mirror image; FIG. 7 is a front perspective view of the display device of FIG. 1, shown in an unfolded state; FIG. 8 is a front view thereof; FIG. 9 is a rear view thereof; FIG. 10 is a left side view thereof, with the right side view being a mirror image; FIG. 11 is a top view thereof, with the bottom view being a mirror image; FIG. 12 is a front perspective view of a second embodiment of a display device, showing our new design in a folded state; FIG. 13 is a front view thereof; FIG. 14 is a rear view thereof; FIG. 15 is a left side view thereof; FIG. 16 is a right side view thereof; FIG. 17 is a top view thereof, with the bottom view being a mirror image; FIG. 18 is a front perspective view of the display device of FIG. 12, shown in an unfolded state; FIG. 19 is a front view thereof;

(Continued)

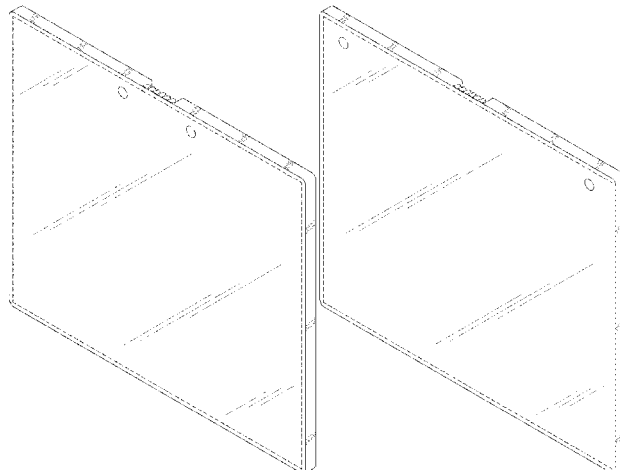


FIG. 20 is a rear view thereof;  
 FIG. 21 is a left side view thereof, with the right side view being a mirror image; and,  
 FIG. 22 is a top view thereof, with the bottom view being a mirror image.  
 The broken lines in the drawings are for the purpose of illustrating portions of the display device that form no part of the claimed design in the embodiments in which they are shown.

**1 Claim, 22 Drawing Sheets**

(58) **Field of Classification Search**

CPC ..... H04M 1/0202; H04M 1/0235; H04M 1/0237; H04M 1/0239; H04M 1/0266; H04M 1/0268; H04M 1/027; H04M 1/0295; H04M 1/02; H04M 1/0279; H04M 1/0283

See application file for complete search history.

(56) **References Cited**

U.S. PATENT DOCUMENTS

D644,622 S \* 9/2011 Park ..... D14/138 AB  
 D648,299 S \* 11/2011 Kim ..... D14/138 G  
 D745,855 S \* 12/2015 Chu ..... D14/138 G  
 D746,250 S \* 12/2015 Chu ..... D14/138 G  
 D746,285 S 12/2015 Okabe  
 D749,576 S 2/2016 Park et al.  
 D786,817 S \* 5/2017 Kim ..... D14/138 AA

D791,725 S \* 7/2017 Lee ..... D14/138 AB  
 D798,256 S \* 9/2017 Choo ..... D14/138 AA  
 D798,257 S \* 9/2017 Choo ..... D14/138 AB  
 D848,388 S \* 5/2019 Magi ..... D14/138 G  
 D884,743 S \* 5/2020 Liu ..... D14/496  
 D890,111 S \* 7/2020 Park ..... D14/138 G  
 D890,112 S \* 7/2020 Park ..... D14/138 G  
 D894,145 S \* 8/2020 Lee ..... D14/138 AB  
 D901,495 S \* 11/2020 Lee ..... D14/345  
 D910,620 S \* 2/2021 Lee ..... D14/345  
 11,005,983 B1 \* 5/2021 Koh ..... G06F 1/1652  
 D920,973 S \* 6/2021 Lee ..... D14/345  
 D921,601 S \* 6/2021 Lee ..... D14/138 AB  
 D925,541 S \* 7/2021 Ahn ..... D14/439  
 D930,609 S \* 9/2021 Chen ..... D14/138 AB  
 2012/0044620 A1 \* 2/2012 Song ..... G06F 1/1681  
 361/679.01  
 2015/0378397 A1 12/2015 Park et al.  
 2017/0322590 A1 \* 11/2017 Jacobs ..... G06F 1/1603  
 2018/0277932 A1 9/2018 Martinez et al.  
 2018/0373297 A1 \* 12/2018 Liao ..... G06F 1/1601  
 2019/0166703 A1 5/2019 Kim et al.  
 2019/0339746 A1 \* 11/2019 Kim ..... B32B 17/06  
 2020/0253068 A1 \* 8/2020 Cha ..... G06F 1/1652

FOREIGN PATENT DOCUMENTS

CN 304288024 \* 9/2017  
 CN 304514440 \* 2/2018

OTHER PUBLICATIONS

U.S. Notice of Allowance dated Dec. 29, 2021, issued in U.S. Appl. No. 29/721,109 (10 pages).

\* cited by examiner

FIG. 1

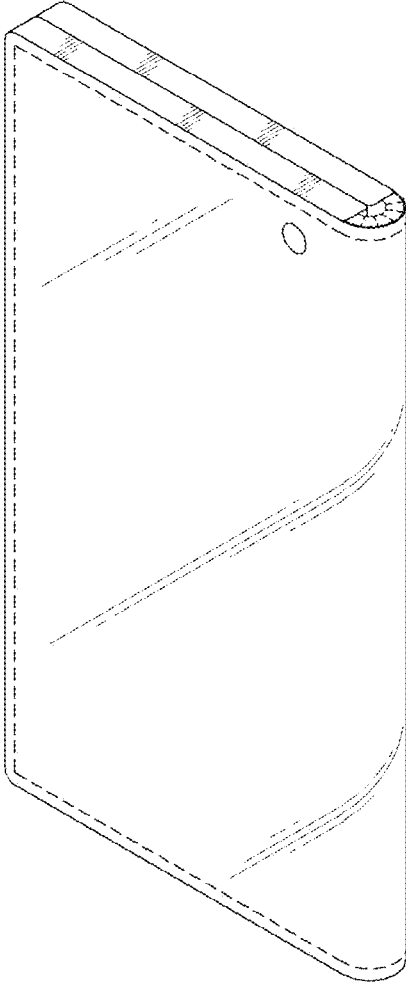


FIG. 2

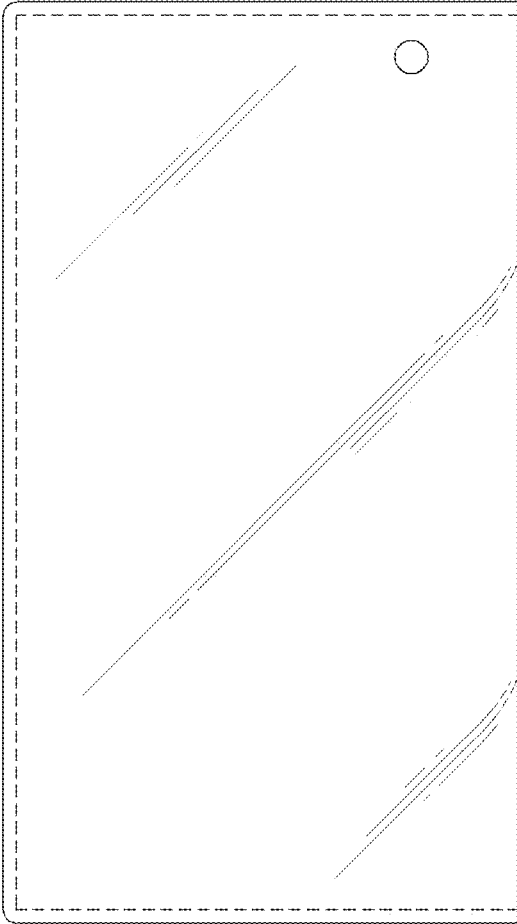


FIG. 3

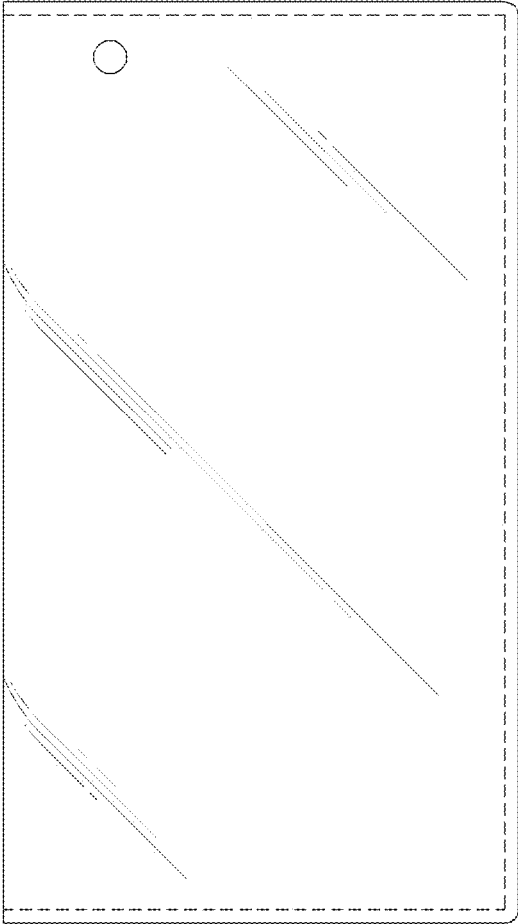


FIG. 4



FIG. 5

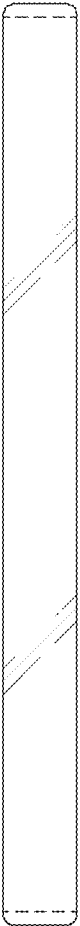


FIG. 6

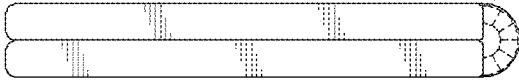




FIG. 7

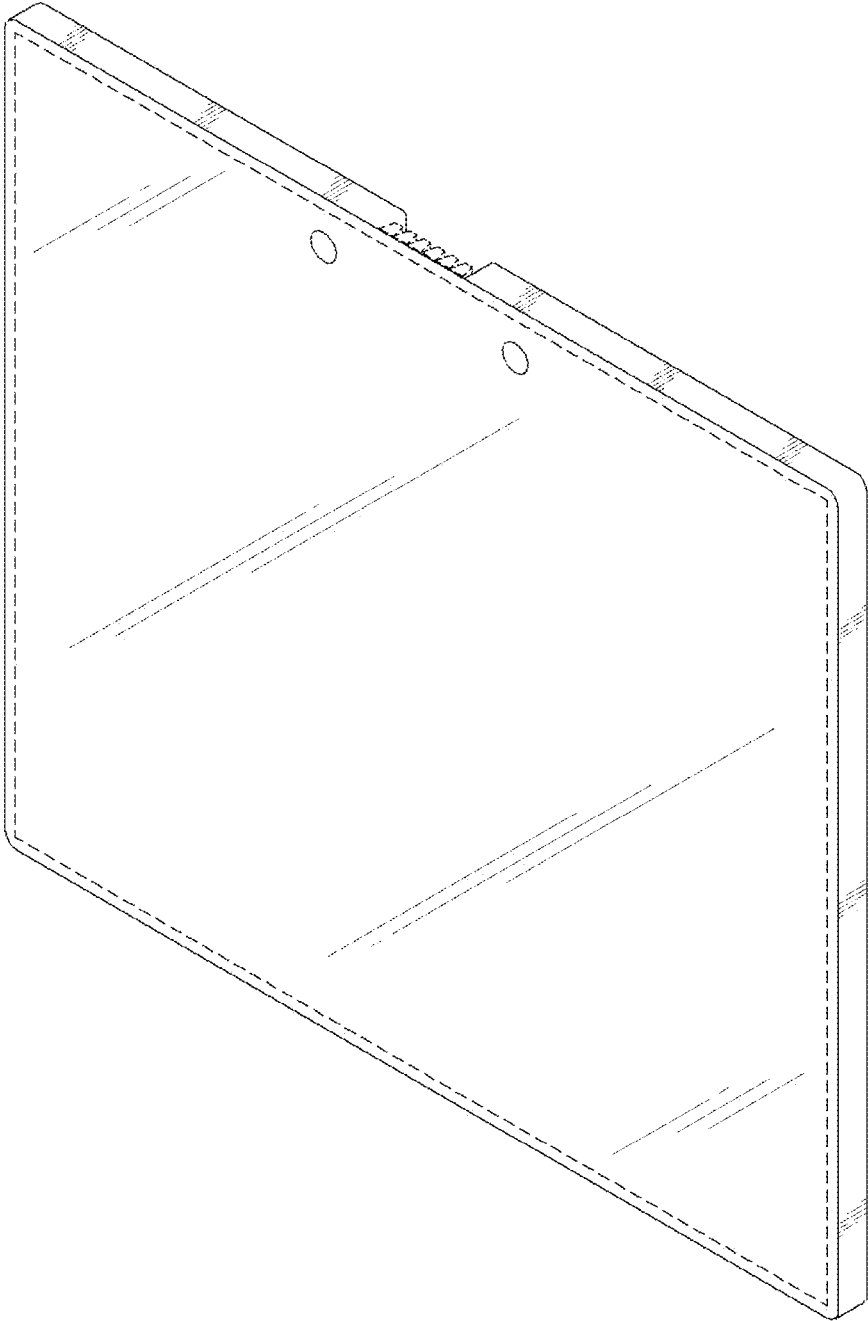


FIG. 8

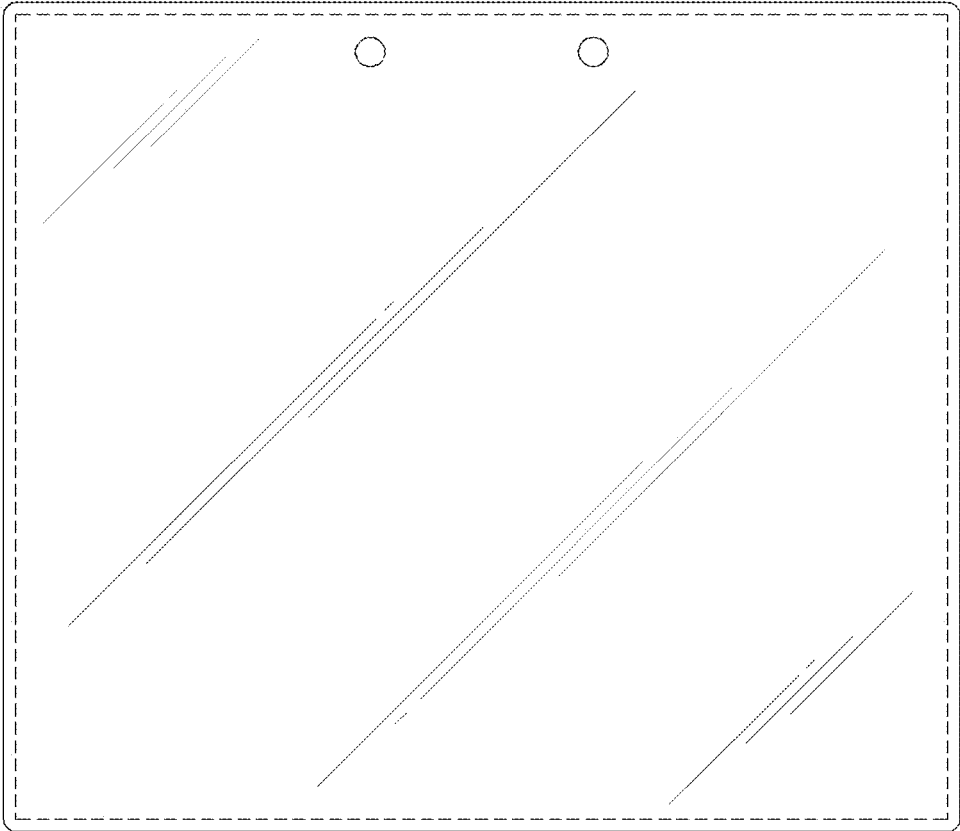


FIG. 9

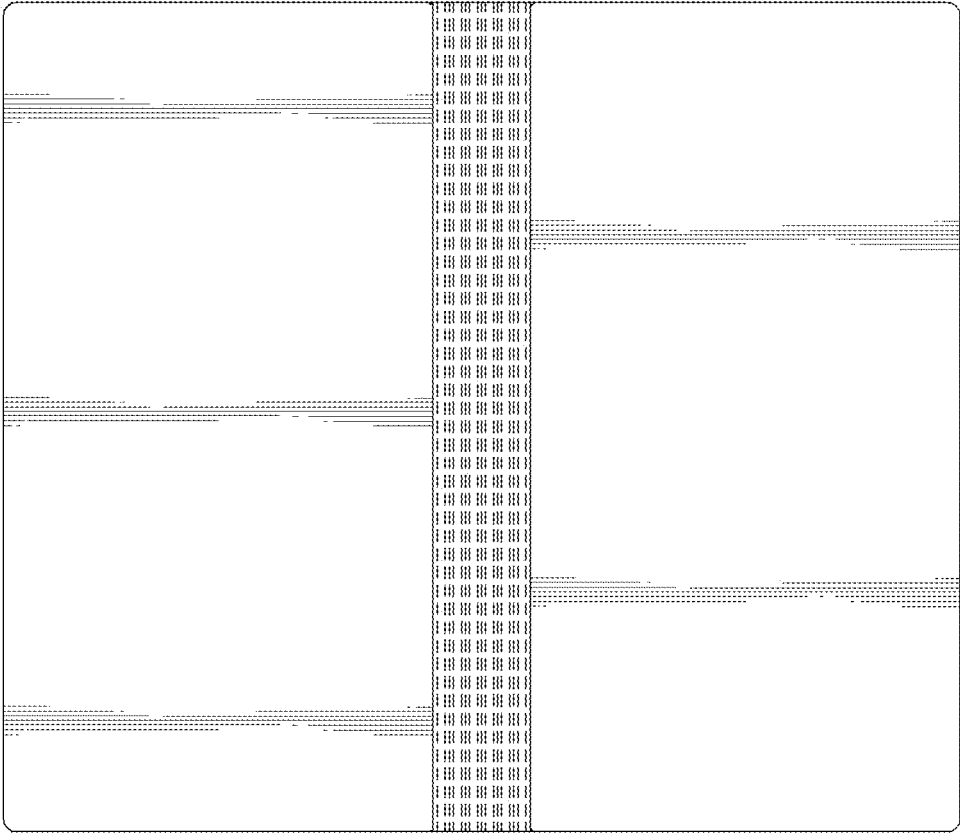


FIG. 10



FIG. 11

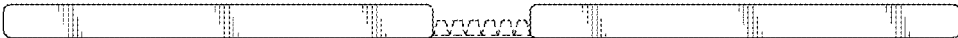


FIG. 12

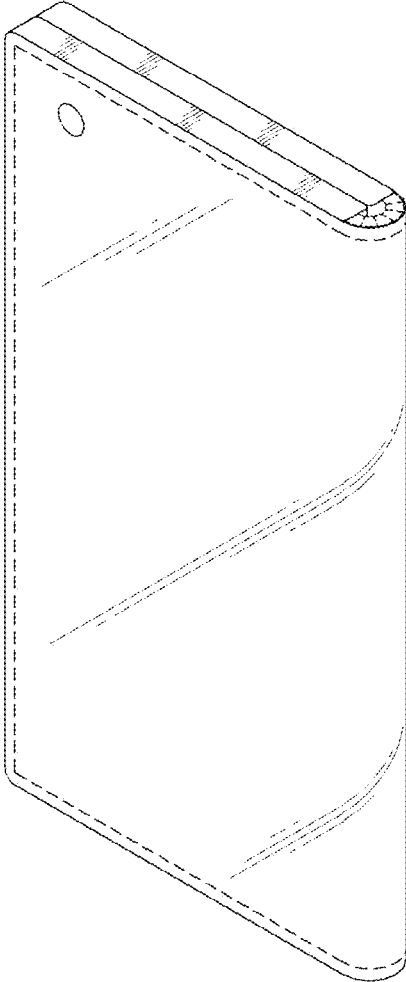


FIG. 13

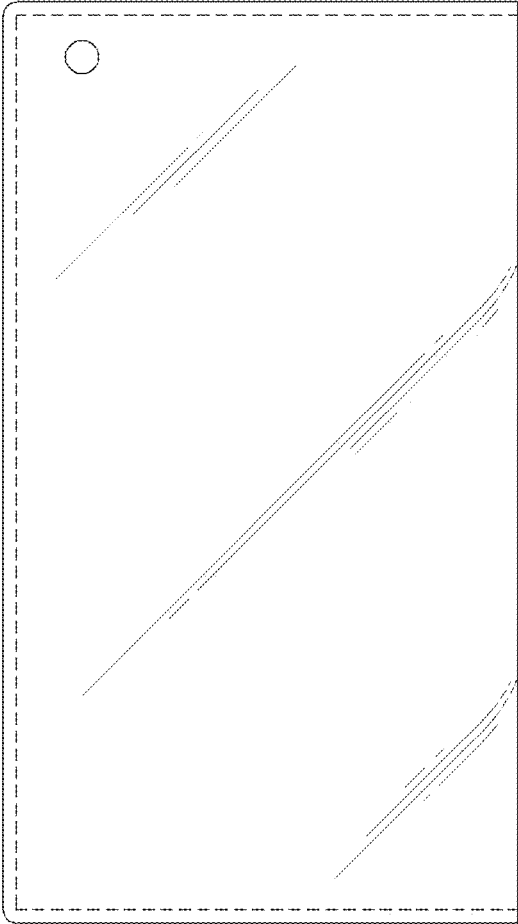


FIG. 14

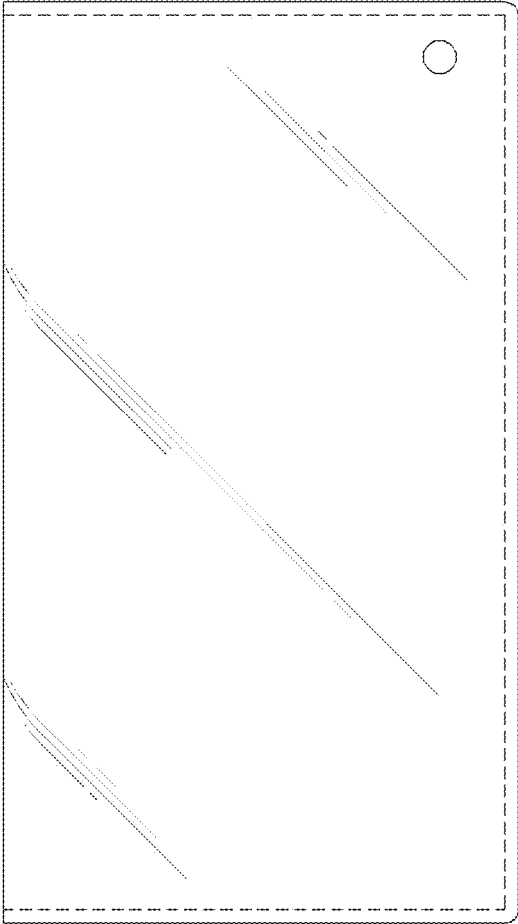




FIG. 15

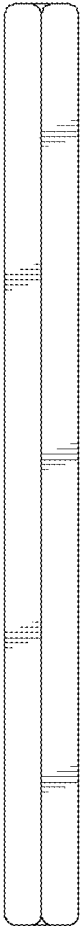


FIG. 16



FIG. 17

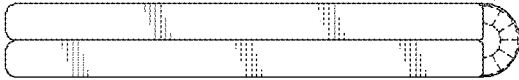


FIG. 18

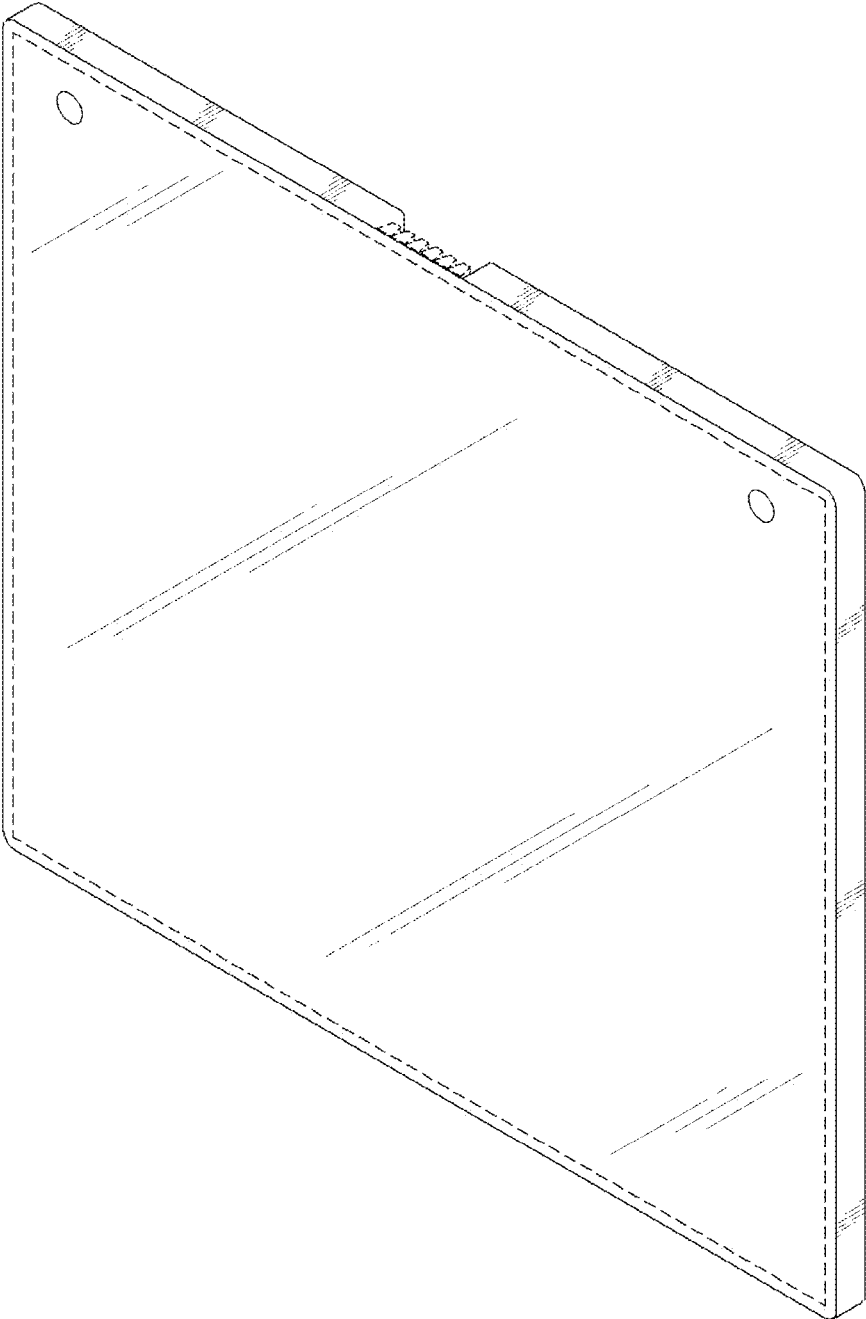


FIG. 19

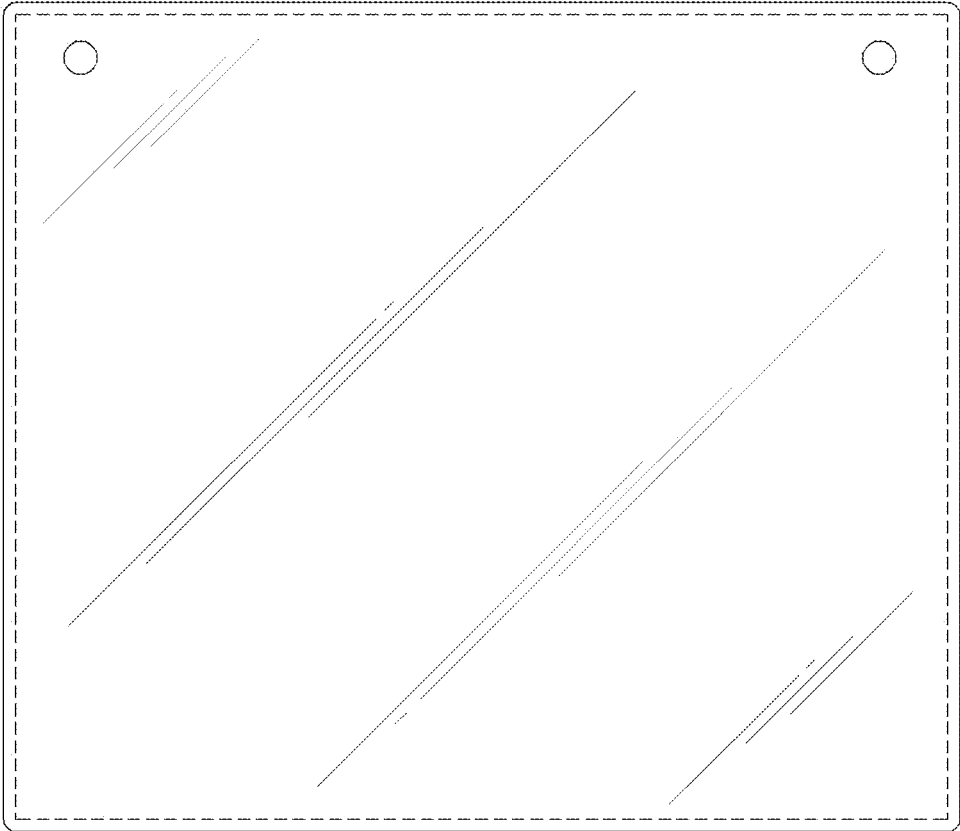


FIG. 20

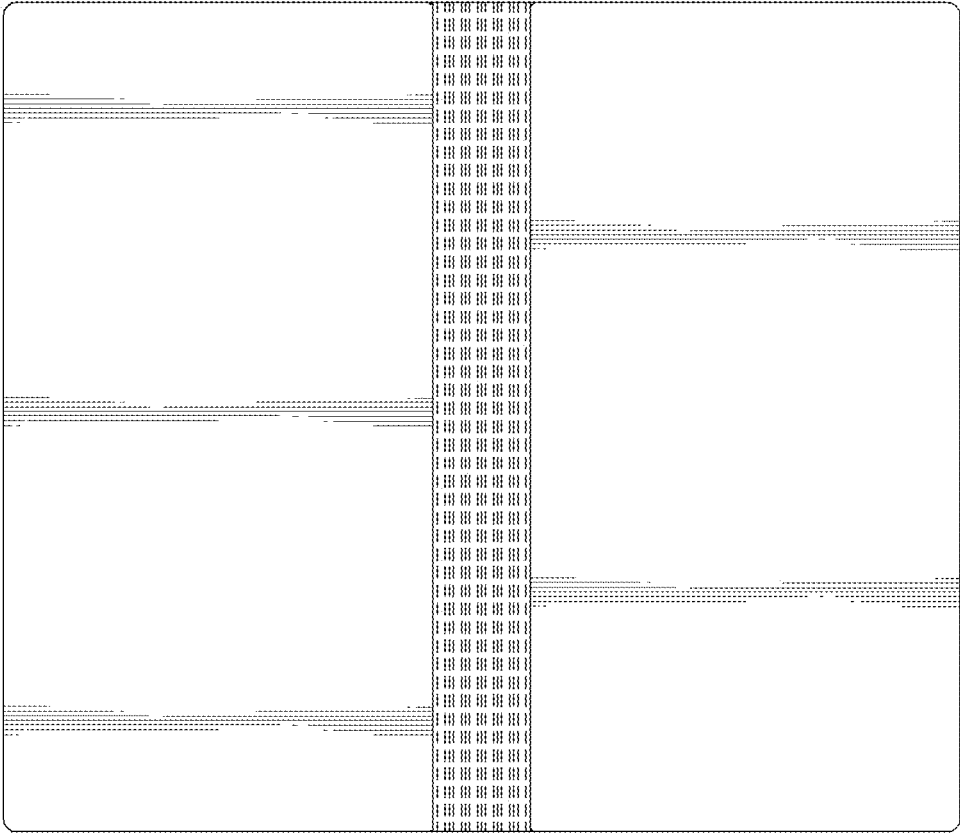


FIG. 21



FIG. 22

