



US00D609221S

(12) **United States Design Patent**
Kim et al.

(10) **Patent No.:** **US D609,221 S**

(45) **Date of Patent:** **** Feb. 2, 2010**

(54) **REMOTE CONTROL FOR A CELLULAR PHONE**

(75) Inventors: **Min-Soo Kim**, Seoul (KR); **Yoon-Young Cho**, Seoul (KR); **Chang-Soo Lee**, Incheon (KR)

(73) Assignee: **Samsung Electronics Co., Ltd.**, Suwon-Si (KR)

(**) Term: **14 Years**

(21) Appl. No.: **29/271,346**

(22) Filed: **Jan. 17, 2007**

(51) **LOC (9) Cl.** **14-02**

(52) **U.S. Cl.** **D14/218; D14/240**

(58) **Field of Classification Search** D14/240, D14/242, 140, 218, 358, 142, 485; D13/168, D13/184; 360/69; 379/220.01, 220.02, 25, 379/93.09, 93.15, 93.14, 156, 900; 455/550.1, 455/557

See application file for complete search history.

(56) **References Cited**

U.S. PATENT DOCUMENTS

D366,262 S *	1/1996	Inaba	D14/218
D450,337 S *	11/2001	Hamamura	D13/168
D480,716 S *	10/2003	Kaiga et al.	D14/242
D520,991 S *	5/2006	Ma et al.	D14/240

D533,542 S *	12/2006	Suzuki et al.	D14/218
D548,728 S *	8/2007	Yoshiyama	D14/218
D554,631 S *	11/2007	Ma et al.	D14/240
D575,280 S *	8/2008	Marquez	D14/240
D577,713 S *	9/2008	Kim et al.	D14/218
D577,715 S *	9/2008	Lim et al.	D14/240
D586,819 S *	2/2009	Song	D14/485
D597,535 S *	8/2009	Brennwald	D14/240
D600,669 S *	9/2009	Lewis	D14/142

* cited by examiner

Primary Examiner—Charles A Rademaker

(74) *Attorney, Agent, or Firm*—Staas & Halsey LLP

(57) **CLAIM**

The ornamental design for a remote control for a cellular phone, as shown and described.

DESCRIPTION

FIG. 1 is a perspective view of a remote control for a cellular phone showing our new design;

FIG. 2 is a front elevational view thereof;

FIG. 3 is a rear elevational view thereof;

FIG. 4 is a left side elevational view thereof;

FIG. 5 is a right side elevational view thereof;

FIG. 6 is a top plan view thereof; and,

FIG. 7 is a bottom plan view thereof.

1 Claim, 7 Drawing Sheets

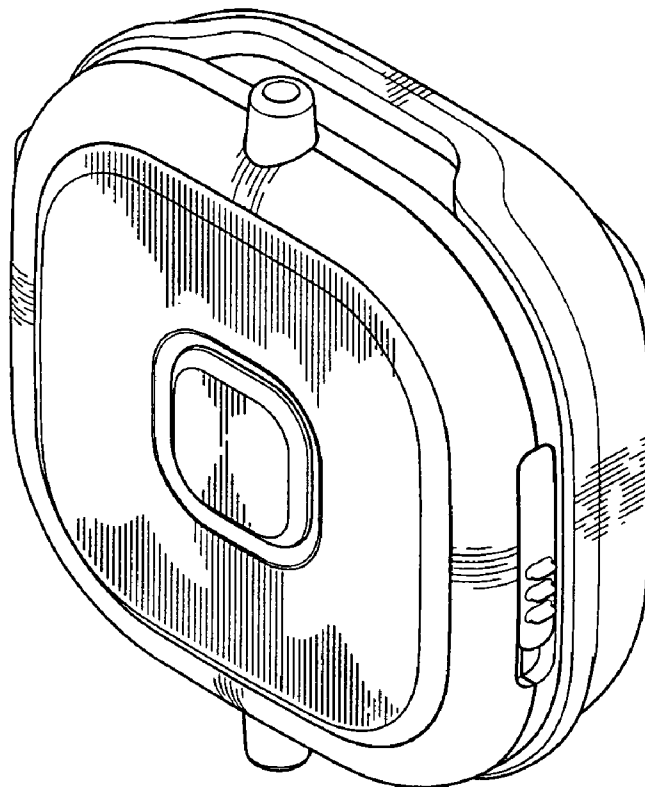


FIG. 1

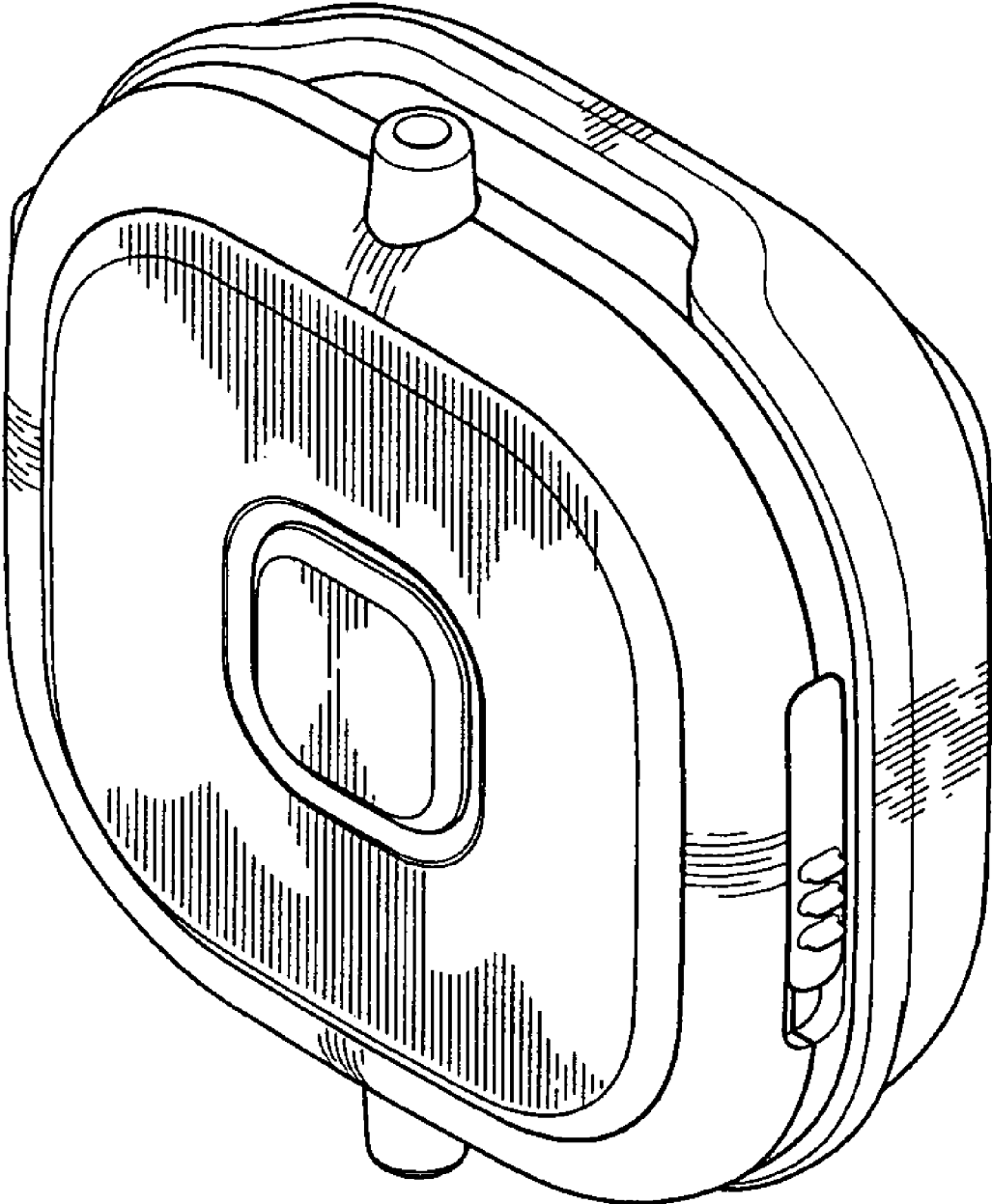


FIG. 2

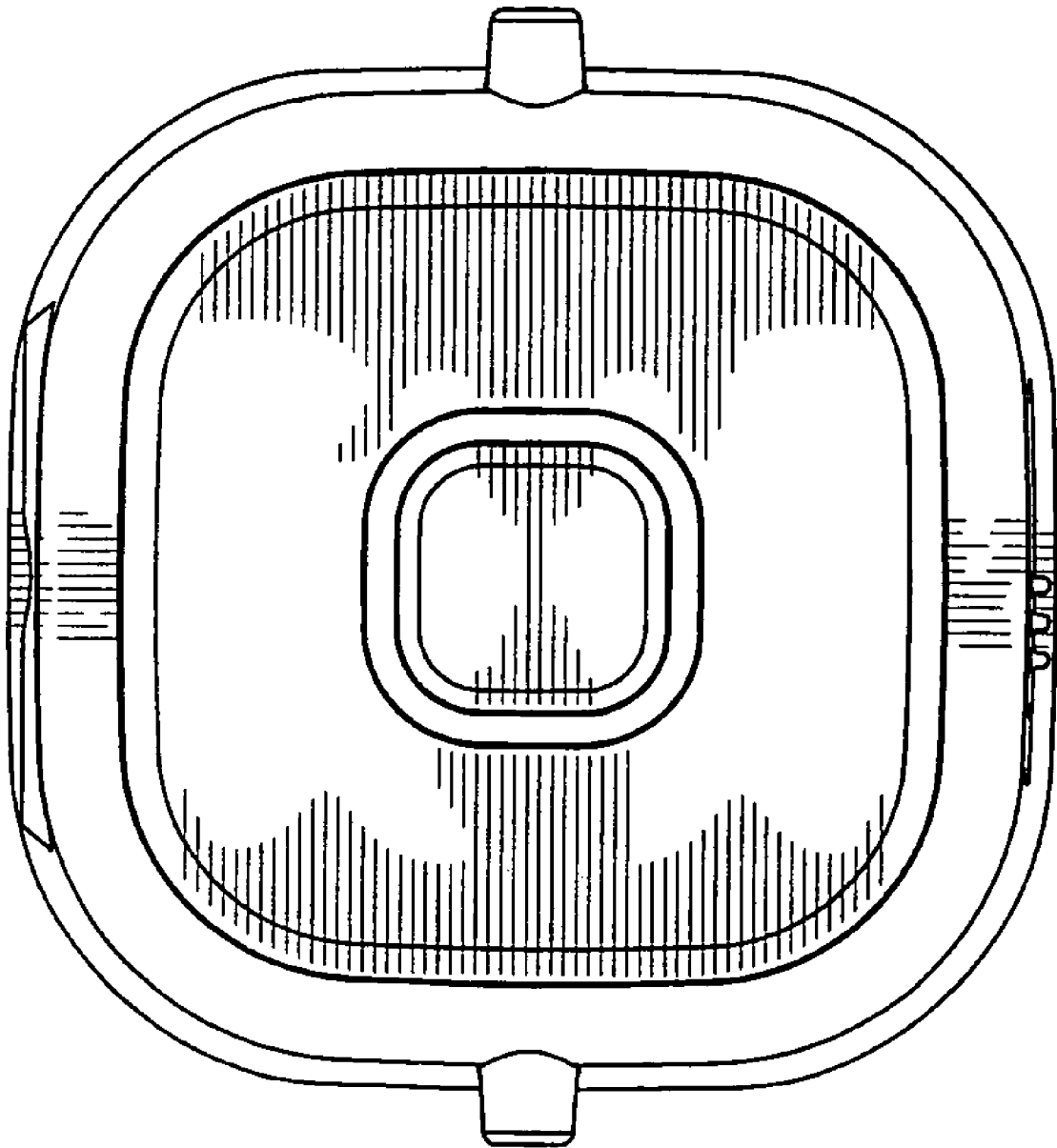


FIG. 3

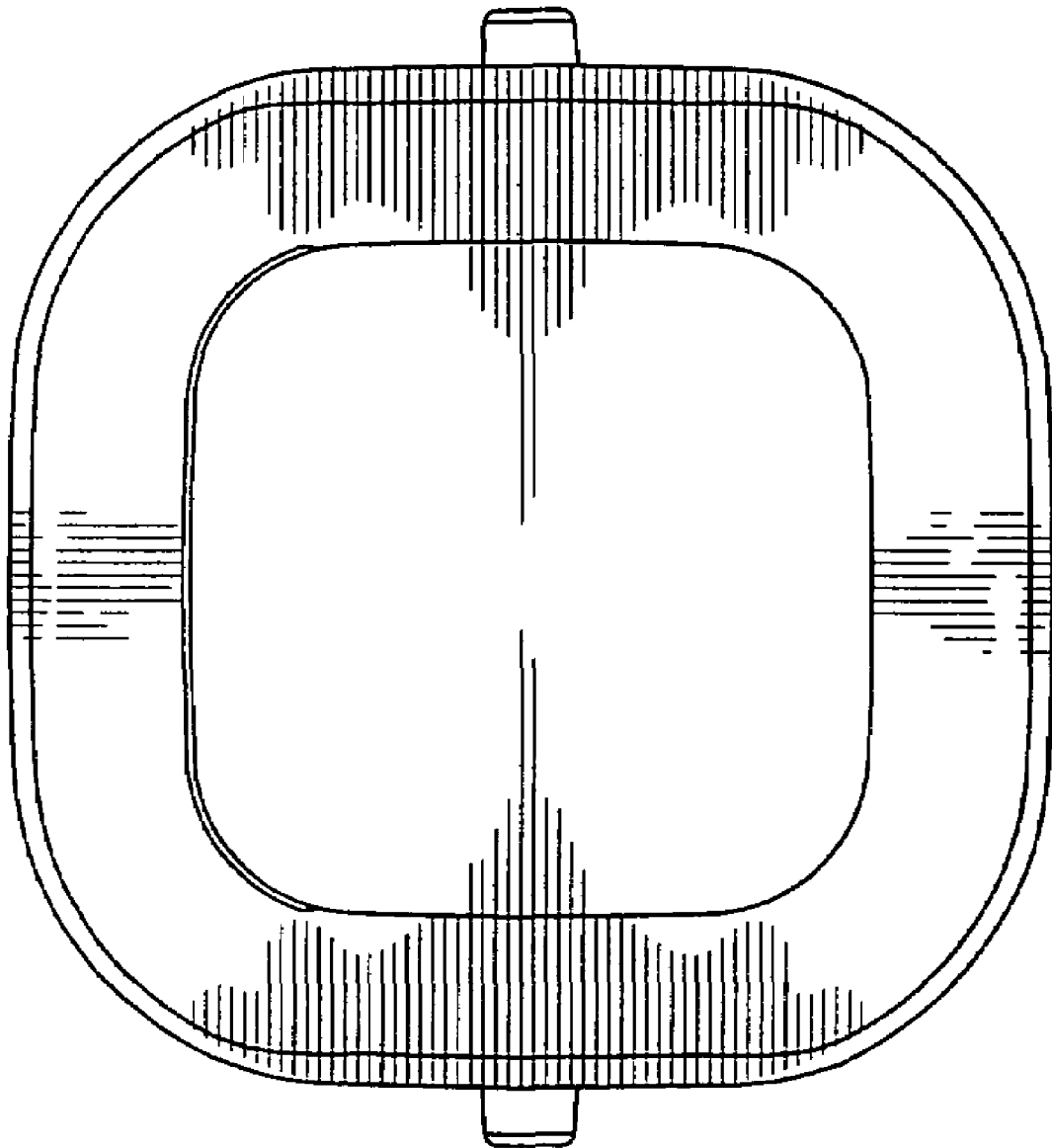


FIG. 4

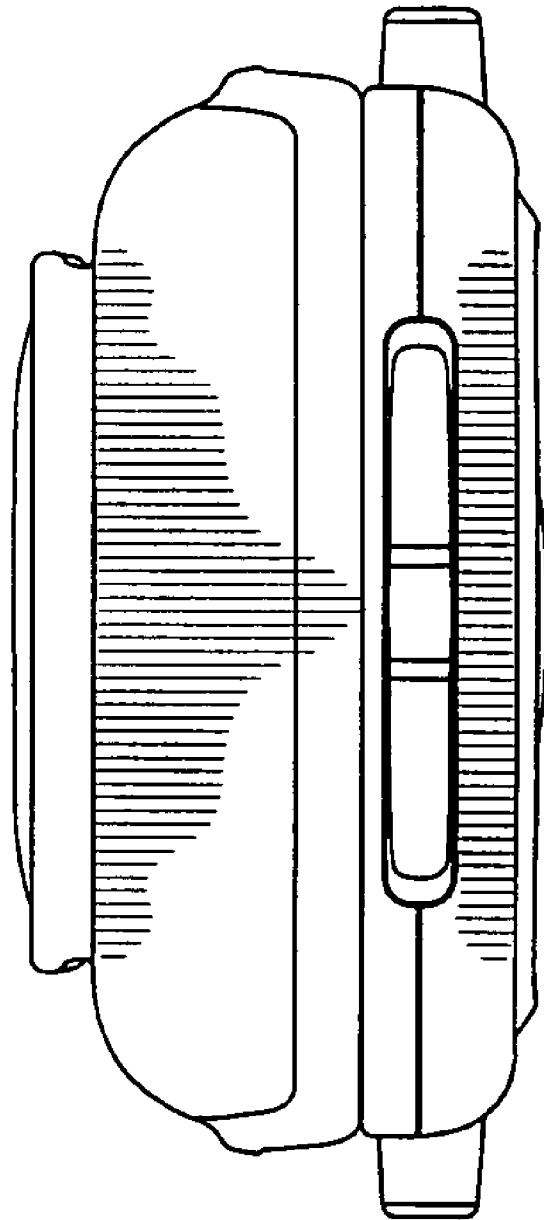


FIG. 5

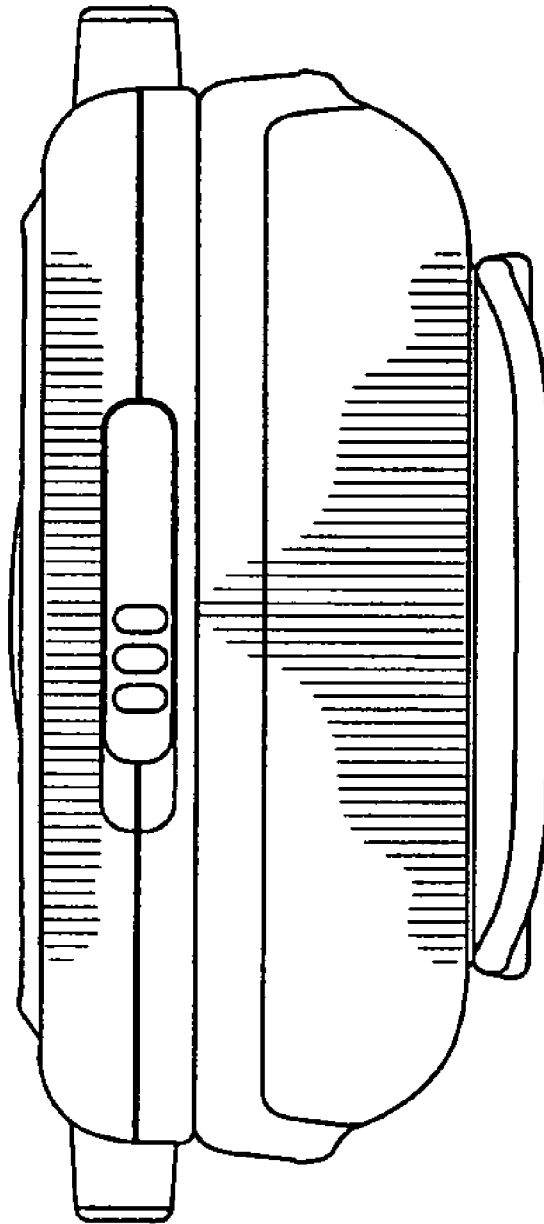


FIG. 6

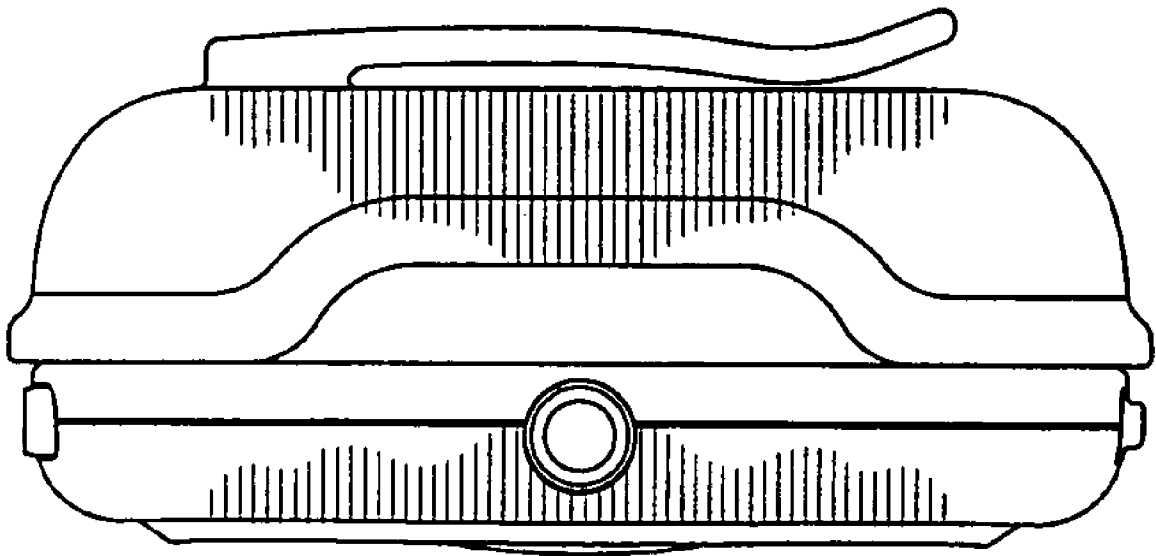


FIG. 7

