



US00D515613S

(12) **United States Design Patent** (10) **Patent No.:** **US D515,613 S**
Holmes et al. (45) **Date of Patent:** **** Feb. 21, 2006**

(54) **WEBCAM MOUNT FOR FLEXIBLE POSITIONING**

(76) Inventors: **Joseph T. Holmes**, 7 River St., Westford, MA (US) 01886; **Shawn Michael Daley**, 426 Main St., West Townsend, MA (US) 01474

(**) Term: **14 Years**

(21) Appl. No.: **29/221,297**

(22) Filed: **Jan. 13, 2005**

Related U.S. Application Data

(62) Division of application No. 29/180,467, filed on Apr. 24, 2003, now Pat. No. Des. 502,956.

(51) **LOC (8) Cl.** **16-05**

(52) **U.S. Cl.** **D16/242**; 396/428

(58) **Field of Classification Search** D16/237, D16/242, 243; 224/265, 270, 908; 248/160, 248/187.1, 231.71; 352/243; 396/419, 421, 396/422, 428

See application file for complete search history.

(56) **References Cited**

U.S. PATENT DOCUMENTS

- 1,276,117 A 8/1918 Riebe
- 2,510,198 A 6/1950 Tesmer
- 3,986,692 A * 10/1976 Kinoshita 248/160
- D293,470 S * 12/1987 Adler D24/140
- 4,963,903 A 10/1990 Cane
- 5,305,034 A 4/1994 Aratani
- 5,419,613 A 5/1995 Wedeking
- D362,008 S 9/1995 McCumber
- D375,319 S 11/1996 Johnson et al.
- 5,664,750 A 9/1997 Cohen

- D394,669 S 5/1998 Becker et al.
- D403,338 S 12/1998 Dunn
- 5,847,883 A 12/1998 Rispoli, Sr.
- D411,220 S 6/1999 Surabian
- 6,330,992 B1 12/2001 Sway Hoover et al.
- 6,352,227 B1 3/2002 Hathaway
- 6,411,332 B1 6/2002 Whitby et al.
- 6,670,985 B1 12/2003 Karube et al.
- D498,251 S * 11/2004 Invencio D16/242
- 2004/0211868 A1 * 10/2004 Holmes et al. 248/231.71

OTHER PUBLICATIONS

- Q Enterprise Internet Advertising, 3 pgs.
- Video Lab Internet Advertising, 14 pgs.
- Microscopeworld.com Internet Advertising Video Flex Camera, 4 pgs.

* cited by examiner

Primary Examiner—Adir Aronovich

(74) *Attorney, Agent, or Firm*—Elmore, Craig & Vanstone, P.C.; Darlene A. Vanstone; Carolyn S. Elmore

(57) **CLAIM**

The ornamental design for a webcam mount for flexible positioning, as shown and described.

DESCRIPTION

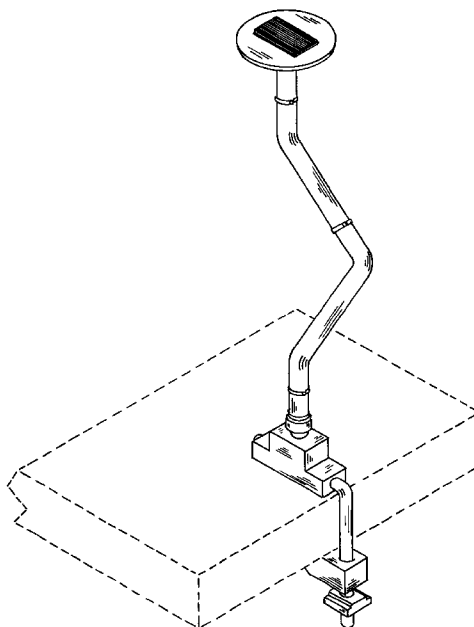
FIG. 1 is a left side elevational view of a webcam mount for flexible positioning, the undisclosed right side being the mirror image;

FIG. 2 is a top plan view thereof; and,

FIG. 3 is a perspective view thereof.

The broken line showing of a support surface is for illustrative purposes only and forms no part of the claimed design.

1 Claim, 3 Drawing Sheets



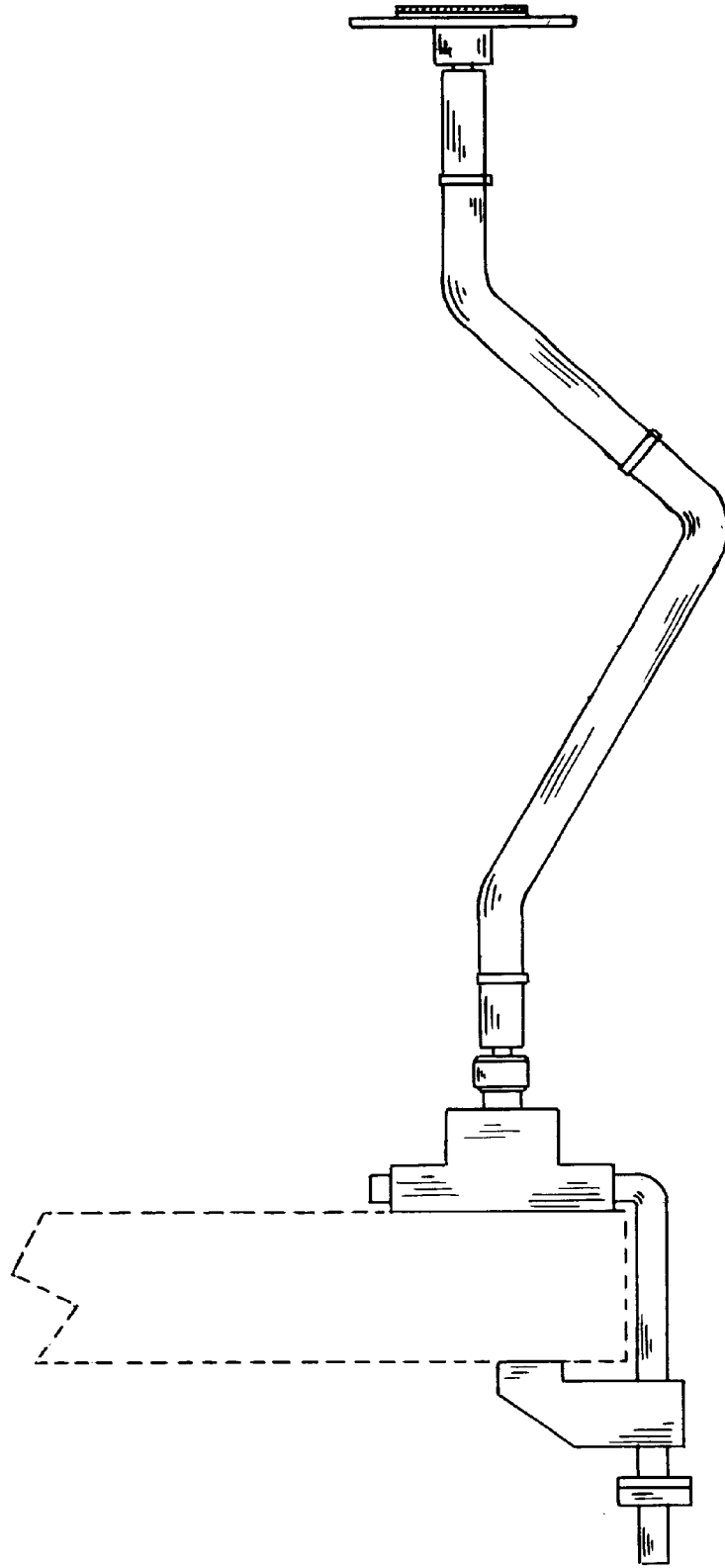


FIG. 1

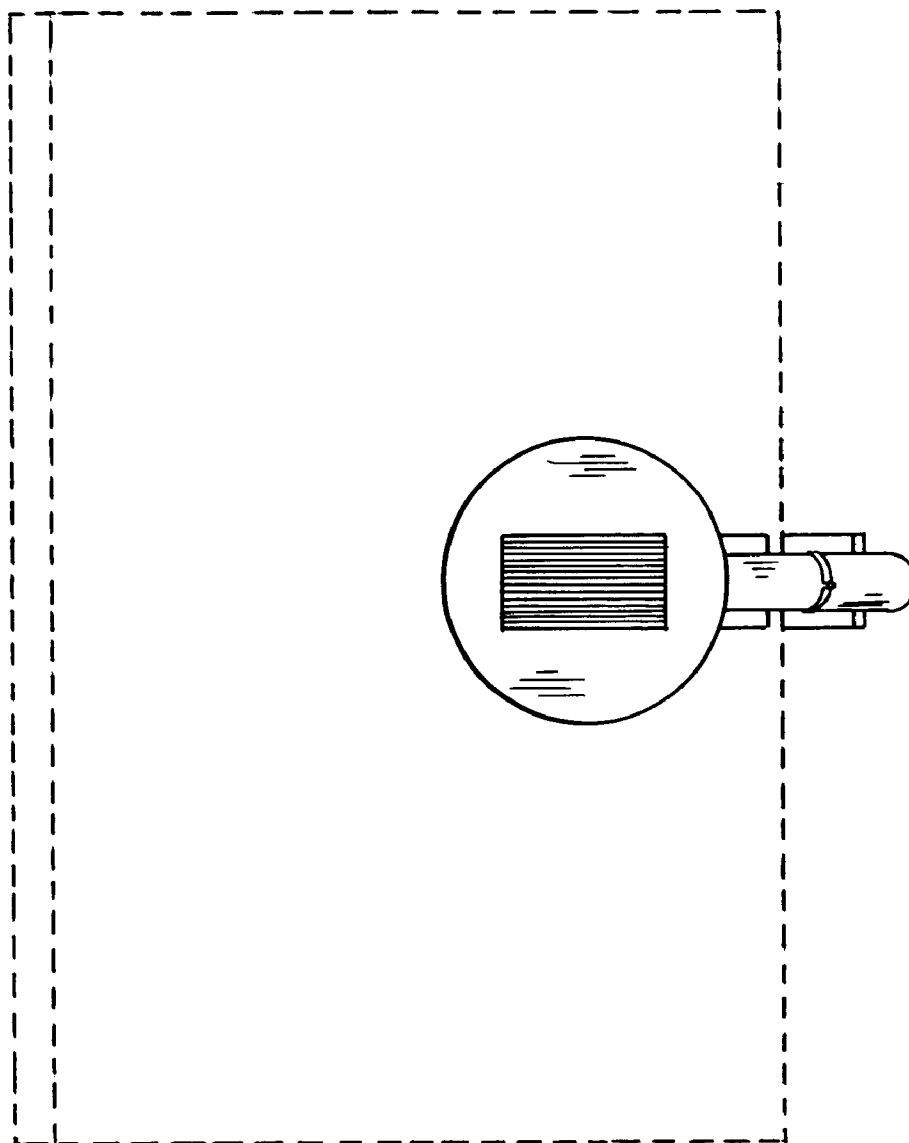


FIG. 2

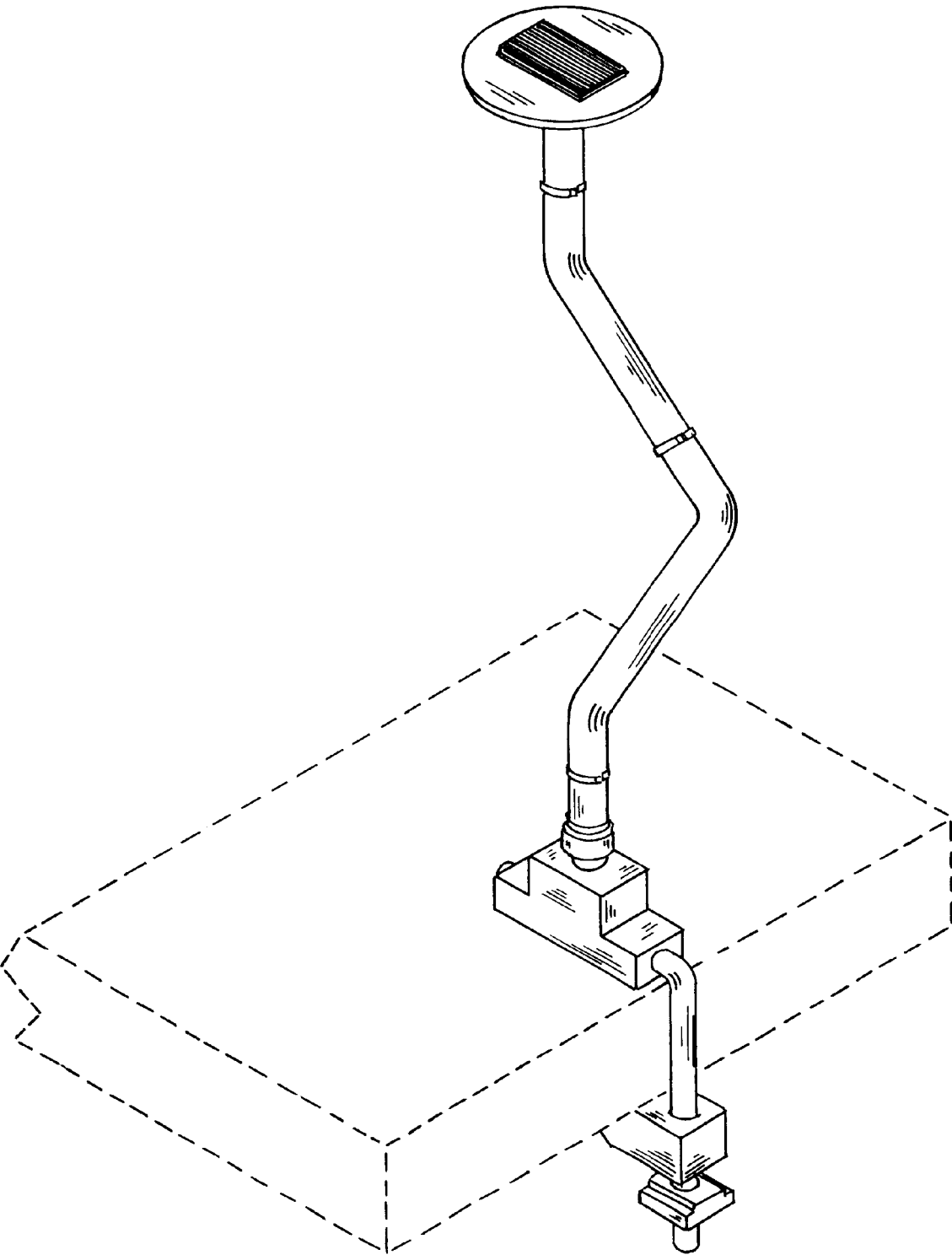


FIG. 3