



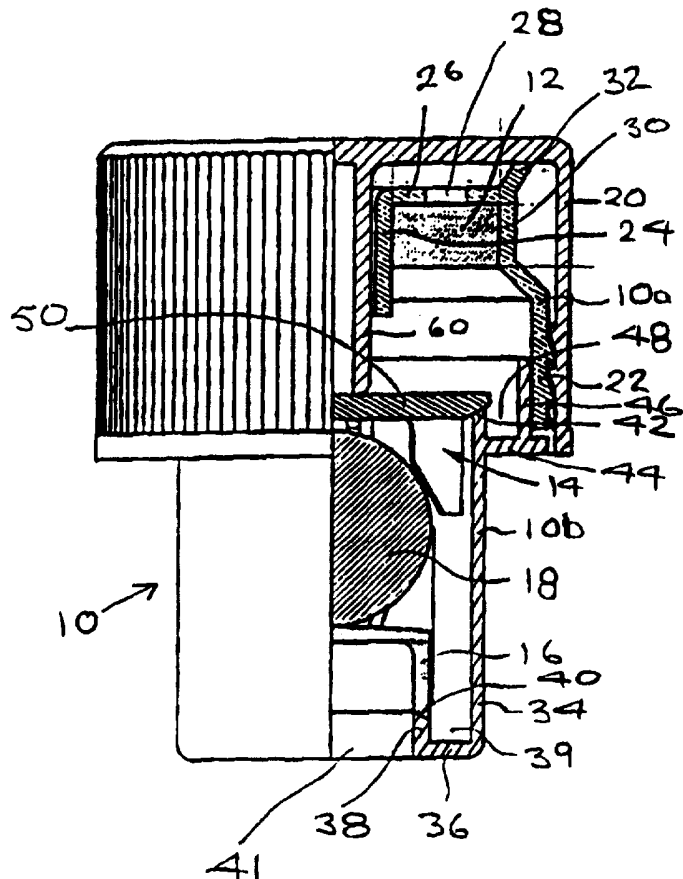
INTERNATIONAL APPLICATION PUBLISHED UNDER THE PATENT COOPERATION TREATY (PCT)

<p>(51) International Patent Classification <sup>6</sup> : <b>B65D 51/28</b></p>	<p><b>A3</b></p>	<p>(11) International Publication Number: <b>WO 97/48617</b> (43) International Publication Date: 24 December 1997 (24.12.97)</p>
<p>(21) International Application Number: PCT/GB97/01597 (22) International Filing Date: 13 June 1997 (13.06.97) (30) Priority Data: 9612563.8 15 June 1996 (15.06.96) GB (71) Applicant (for all designated States except US): INTERNATIONAL DISTILLERS &amp; VINTNERS LIMITED [GB/GB]; 8 Henrietta Place, London W1M 9AG (GB). (72) Inventors; and (75) Inventors/Applicants (for US only): JOHNSON, David [GB/GB]; Pointing Limited, Prudhoe, Northumberland NE42 6NJ (GB). HATCH, Julie [GB/GB]; International Distillers &amp; Vintners Limited, 8 Henrietta Place, London W1M 9AG (GB). SHILTON, Andrew [GB/GB]; International Distillers &amp; Vintners Limited, 8 Henrietta Place, London W1M 9AG (GB). PURDEY, Colin [GB/GB]; International Distillers &amp; Vintners Limited, 8 Henrietta Place, London W1M 9AG (GB). STREETER, Andrew, Colin [GB/GB]; Creative Packaging Solutions International Limited, 7 Market Place, Saffron Walden, Essex CB10 1HJ (GB). OGLE, Simon [GB/GB]; Creative Packaging Solutions International Limited, 7 Market Place, Saffron Walden, Essex CB10 1HJ (GB). KENDLE, Heather</p>	<p>[GB/GB]; Creative Packaging Solutions International Limited, 7 Market Place, Saffron Walden, Essex CB10 1HJ (GB). (74) Agents: PEARCE, Anthony, Richmond et al.; Marks &amp; Clerk, Alpha Tower, Suffolk Street Queensway, Birmingham B1 1TT (GB). (81) Designated States: AL, AM, AT, AU, AZ, BA, BB, BG, BR, BY, CA, CH, CN, CU, CZ, DE, DK, EE, ES, FI, GB, GE, GH, HU, IL, IS, JP, KE, KG, KP, KR, KZ, LC, LK, LR, LS, LT, LU, LV, MD, MG, MK, MN, MW, MX, NO, NZ, PL, PT, RO, RU, SD, SE, SG, SI, SK, TJ, TM, TR, TT, UA, UG, US, UZ, VN, YU, ZW, ARIPO patent (GH, KE, LS, MW, SD, SZ, UG, ZW), Eurasian patent (AM, AZ, BY, KG, KZ, MD, RU, TJ, TM), European patent (AT, BE, CH, DE, DK, ES, FI, FR, GB, GR, IE, IT, LU, MC, NL, PT, SE), OAPI patent (BF, BJ, CF, CG, CI, CM, GA, GN, ML, MR, NE, SN, TD, TG). <b>Published</b> <i>With international search report.</i> <i>Before the expiration of the time limit for amending the claims and to be republished in the event of the receipt of amendments.</i> (88) Date of publication of the international search report: 12 March 1998 (12.03.98)</p>	

(54) Title: DISPENSING OUTLET ASSEMBLY

(57) Abstract

A dispensing outlet assembly for connection to a beverage container such as a bottle, comprises a body (10) having an inlet (41) for connection to the container, and a dispensing outlet (28) through which beverage is dispensed from the container. A flow passage between the inlet (41) and the outlet (28) contains a ball-type non-return valve (14, 16, 18) and an annular colouring element (12) through which beverage dispensed from the container passes so as to impart a colour to the beverage as it is dispensed.



**FOR THE PURPOSES OF INFORMATION ONLY**

Codes used to identify States party to the PCT on the front pages of pamphlets publishing international applications under the PCT.

AL	Albania	ES	Spain	LS	Lesotho	SI	Slovenia
AM	Armenia	FI	Finland	LT	Lithuania	SK	Slovakia
AT	Austria	FR	France	LU	Luxembourg	SN	Senegal
AU	Australia	GA	Gabon	LV	Latvia	SZ	Swaziland
AZ	Azerbaijan	GB	United Kingdom	MC	Monaco	TD	Chad
BA	Bosnia and Herzegovina	GE	Georgia	MD	Republic of Moldova	TG	Togo
BB	Barbados	GH	Ghana	MG	Madagascar	TJ	Tajikistan
BE	Belgium	GN	Guinea	MK	The former Yugoslav Republic of Macedonia	TM	Turkmenistan
BF	Burkina Faso	GR	Greece			TR	Turkey
BG	Bulgaria	HU	Hungary	ML	Mali	TT	Trinidad and Tobago
BJ	Benin	IE	Ireland	MN	Mongolia	UA	Ukraine
BR	Brazil	IL	Israel	MR	Mauritania	UG	Uganda
BY	Belarus	IS	Iceland	MW	Malawi	US	United States of America
CA	Canada	IT	Italy	MX	Mexico	UZ	Uzbekistan
CF	Central African Republic	JP	Japan	NE	Niger	VN	Viet Nam
CG	Congo	KE	Kenya	NL	Netherlands	YU	Yugoslavia
CH	Switzerland	KG	Kyrgyzstan	NO	Norway	ZW	Zimbabwe
CI	Côte d'Ivoire	KP	Democratic People's Republic of Korea	NZ	New Zealand		
CM	Cameroon			PL	Poland		
CN	China	KR	Republic of Korea	PT	Portugal		
CU	Cuba	KZ	Kazakstan	RO	Romania		
CZ	Czech Republic	LC	Saint Lucia	RU	Russian Federation		
DE	Germany	LI	Liechtenstein	SD	Sudan		
DK	Denmark	LK	Sri Lanka	SE	Sweden		
EE	Estonia	LR	Liberia	SG	Singapore		

# INTERNATIONAL SEARCH REPORT

International Application No

PCT/GB 97/01597

<b>A. CLASSIFICATION OF SUBJECT MATTER</b> IPC 6 B65D51/28		
According to International Patent Classification (IPC) or to both national classification and IPC		
<b>B. FIELDS SEARCHED</b>		
Minimum documentation searched (classification system followed by classification symbols) IPC 6 B65D		
Documentation searched other than minimum documentation to the extent that such documents are included in the fields searched		
Electronic data base consulted during the international search (name of data base and, where practical, search terms used)		
<b>C. DOCUMENTS CONSIDERED TO BE RELEVANT</b>		
Category °	Citation of document, with indication, where appropriate, of the relevant passages	Relevant to claim No.
X	US 2 975 925 A (CHAMBERS, G. M.) 21 March 1961	1, 2, 9, 10
Y	see column 1, line 60 - column 2, line 39 see figures 1-3	3, 4
Y	US 3 073 469 A (TOWNS, E. J.) 15 January 1963 see column 2, line 36 - column 3, line 39 see figures 1, 8	3, 4
X	GB 2 188 257 A (OREAL) 30 September 1987 see page 3, left-hand column, line 20 - line 58 see figure 1	1-3, 10
<input type="checkbox"/> Further documents are listed in the continuation of box C.		
<input checked="" type="checkbox"/> Patent family members are listed in annex.		
° Special categories of cited documents :		
"A" document defining the general state of the art which is not considered to be of particular relevance	"T" later document published after the international filing date or priority date and not in conflict with the application but cited to understand the principle or theory underlying the invention	
"E" earlier document but published on or after the international filing date	"X" document of particular relevance; the claimed invention cannot be considered novel or cannot be considered to involve an inventive step when the document is taken alone	
"L" document which may throw doubts on priority claim(s) or which is cited to establish the publication date of another citation or other special reason (as specified)	"Y" document of particular relevance; the claimed invention cannot be considered to involve an inventive step when the document is combined with one or more other such documents, such combination being obvious to a person skilled in the art.	
"O" document referring to an oral disclosure, use, exhibition or other means	"&" document member of the same patent family	
"P" document published prior to the international filing date but later than the priority date claimed		
Date of the actual completion of the international search  <p style="text-align: center;">6 October 1997</p>	Date of mailing of the international search report  <p style="text-align: center;">19. 01. 98</p>	
Name and mailing address of the ISA European Patent Office, P.B. 5818 Patentlaan 2 NL - 2280 HV Rijswijk Tel. (+31-70) 340-2040, Tx. 31 651 epo nl, Fax: (+31-70) 340-3016	Authorized officer  <p style="text-align: center;">Wennborg, J</p>	

INTERNATIONAL SEARCH REPORT

International application No.

PCT/GB 97/ 01597

Box I Observations where certain claims were found unsearchable (Continuation of Item 1 of first sheet)

This International Search Report has not been established in respect of certain claims under Article 17(2)(a) for the following reasons:

- 1.  Claims Nos.:  
because they relate to subject matter not required to be searched by this Authority, namely:
  
- 2.  Claims Nos.:  
because they relate to parts of the International Application that do not comply with the prescribed requirements to such an extent that no meaningful international Search can be carried out, specifically:
  
- 3.  Claims Nos.:  
because they are dependent claims and are not drafted in accordance with the second and third sentences of Rule 6.4(a).

Box II Observations where unity of invention is lacking (Continuation of Item 2 of first sheet)

This International Searching Authority found multiple inventions in this international application, as follows:

- 1.. claims 1-4,10
- 2. claims 5-8
- 3. claim 9

- 1.  As all required additional search fees were timely paid by the applicant, this International Search Report covers all searchable claims.
  
- 2.  As all searchable claims could be searched without effort justifying an additional fee, this Authority did not invite payment of any additional fee.
  
- 3.  As only some of the required additional search fees were timely paid by the applicant, this International Search Report covers only those claims for which fees were paid, specifically claims Nos.:
  
- 4.  No required additional search fees were timely paid by the applicant. Consequently, this International Search Report is restricted to the invention first mentioned in the claims; it is covered by claims Nos.:  
  
1-4, 10

Remark on Protest

- The additional search fees were accompanied by the applicant's protest.
- No protest accompanied the payment of additional search fees.

# INTERNATIONAL SEARCH REPORT

Information on patent family members

International Application No

PCT/GB 97/01597

Patent document cited in search report	Publication date	Patent family member(s)	Publication date
US 2975925 A	21-03-61	NONE	
US 3073469 A	15-01-63	NONE	
GB 2188257 A	30-09-87	LU 86368 A	11-11-87
		BE 1001636 A	09-01-90
		CH 673993 A	30-04-90
		DE 3709459 A	01-10-87
		FR 2597443 A	23-10-87
		NL 8700681 A	16-10-87
		US 4796812 A	10-01-89
		US 4921170 A	01-05-90