



US00D830124S

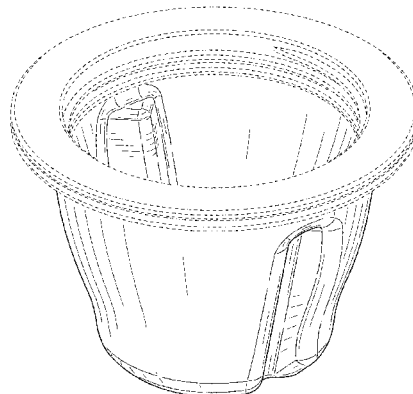
(12) **United States Design Patent**
Krivos et al.

(10) **Patent No.:** **US D830,124 S**
(45) **Date of Patent:** **** Oct. 9, 2018**

- (54) **CONTAINER**
- (71) Applicant: **VITA-MIX MANAGEMENT CORPORATION**, Olmsted Township, OH (US)
- (72) Inventors: **Brenton Krivos**, Brunswick, OH (US); **Jack Warren Gee, II**, Willoughby, OH (US); **Eugene J. Kozlowski**, Medina, OH (US)
- (73) Assignee: **VITA-MIX MANAGEMENT CORPORATION**, Olmsted Township, OH (US)
- (**) Term: **15 Years**
- (21) Appl. No.: **29/557,026**
- (22) Filed: **Mar. 4, 2016**
- (51) **LOC (11) Cl.** **31-00**
- (52) **U.S. Cl.**
USPC **D7/413; D7/376; D7/378; D7/386; D7/412**
- (58) **Field of Classification Search**
USPC **D7/372, 376-386, 412-413, 587, 602, D7/629, 665-666, 669, 679, 693-694; D9/428-429**
CPC **A21C 1/02; A21C 1/04; A23N 1/00; A23N 1/02; A47J 43/04; A47J 43/25; A47J 43/27; A47J 43/042; A47J 43/044; A47J 43/046; A47J 43/075; A47J 43/0722; A47J 43/0727; A61C 9/0026; B01F 3/00; B01F 3/0807; B01F 3/0853; B01F 13/0059; B01F 13/0064; B02C 1/08; B02C 2/04; B02C 4/42; B02C 4/142; B02C 4/143; B02C 4/423; B02C 13/1835; B28C 5/10; B28C 5/12; B28C 5/14; B28C 5/16; B65D 1/265**
See application file for complete search history.

298,503	A	5/1884	Rex
400,566	A	4/1889	Harry
460,265	A	9/1891	Mulford
698,755	A	4/1902	Stiehle
742,955	A	11/1903	Augur
747,249	A	12/1903	Smith
796,692	A	8/1905	Scantlin
937,772	A	10/1909	Cullen
1,139,534	A	5/1915	Klenk
1,380,066	A	5/1921	Johnson
2,012,113	A	8/1935	Thompson
2,086,858	A	7/1937	Dunkelberger
2,246,054	A	6/1941	Marty
2,282,866	A	5/1942	Hagen
2,404,915	A	7/1946	McCullough
D163,117	S	5/1951	Hobbs
2,626,078	A	1/1953	Hutchisson
2,628,081	A	2/1953	Laird
2,711,644	A	6/1955	Myers
2,761,659	A	9/1956	Collura
2,774,576	A	12/1956	Frank
2,776,691	A	1/1957	Tupper
D180,096	S	4/1957	Moore
2,798,701	A	7/1957	Francesco
2,860,550	A	11/1958	Louis
2,897,862	A	8/1959	Malz
2,924,349	A	2/1960	Huck
2,942,301	A	6/1960	Price
2,954,174	A	9/1960	Polleys
2,955,186	A	10/1960	Ritter
3,064,949	A	11/1962	Dewenter
3,082,900	A	3/1963	Goodman
D198,303	S	5/1964	Dewenter
3,175,594	A	3/1965	Ivar
3,216,473	A	11/1965	Dewenter
3,223,486	A	12/1965	Holl
D204,117	S	3/1966	Di Sesa
3,240,246	A	3/1966	Dewenter
3,299,226	A	1/1967	Edwards
3,311,353	A	3/1967	Rogenski
D207,692	S	5/1967	Dykes
3,342,425	A	9/1967	Morton
3,355,045	A	11/1967	David
3,362,590	A	1/1968	Martin
3,363,820	A	1/1968	Schilling
3,417,972	A	12/1968	Vincent
3,419,196	A	12/1968	Moore
3,441,173	A	4/1969	Edwards
D217,178	S	4/1970	Crider
3,548,280	A	12/1970	Cockroft
D220,416	S	4/1971	Folden
3,612,126	A	10/1971	Emmons
3,627,008	A	12/1971	Samuelian

- (56) **References Cited**
U.S. PATENT DOCUMENTS
112,477 A 3/1871 Merrill
181,013 A 8/1876 Sawyer



US D830,124 S

3,731,059	A	5/1973	Wilson	D437,731	S	2/2001	Thackray	
3,738,583	A	6/1973	Berland	6,210,033	B1	4/2001	Karkos, Jr. et al.	
D227,535	S	7/1973	Grimes	D452,296	S	12/2001	Egnell	
D228,698	S	10/1973	Barnard	6,364,522	B2	4/2002	Kolar et al.	
3,812,995	A	5/1974	Lewis	6,390,665	B1	5/2002	Silveria	
D232,297	S	8/1974	Mantelet	D458,723	S	6/2002	Malvasio	
3,841,528	A	10/1974	Eisenberg	6,402,365	B1	6/2002	Wong	
3,873,435	A	3/1975	Ziebarth	6,609,821	B2	8/2003	Wulf et al.	
3,943,421	A	3/1976	Shibata et al.	D480,904	S	10/2003	Backes	
3,951,351	A	4/1976	Emster et al.	D480,915	S	10/2003	Kolar et al.	
3,963,220	A	6/1976	Ohchi	6,632,013	B2	10/2003	Wulf	
D241,228	S	8/1976	Boduch	6,705,484	B2	3/2004	Schäfer	
4,003,555	A	1/1977	Swartz	6,715,706	B1	4/2004	Planca	
4,087,053	A	5/1978	Voglesonger	D491,019	S	6/2004	Marsden	
D257,315	S	10/1980	Keon	D495,925	S	9/2004	Ulanski	
D259,133	S	5/1981	Klawitter	6,811,303	B2	11/2004	Dickson	
4,561,782	A	12/1985	Jacobsen	6,854,876	B2	2/2005	Dickson	
4,568,193	A	2/1986	Contri et al.	D508,187	S	* 8/2005	Dais	D7/602
D282,896	S	* 3/1986	Conti	D508,188	S	* 8/2005	Zettle	D7/615
D286,726	S	* 11/1986	Daenen	6,959,562	B2	11/2005	Navedo et al.	
D287,324	S	12/1986	Schmidt	6,979,117	B2	12/2005	Dickson	
4,655,373	A	4/1987	Essen	D514,458	S	2/2006	Lawson	
4,660,733	A	4/1987	Snyder	D514,868	S	2/2006	Achenbach	
4,664,530	A	5/1987	Kurome	D521,316	S	5/2006	Katz	
4,671,452	A	6/1987	Pupp	7,047,872	B2	5/2006	Mulle	
4,686,356	A	8/1987	Ueda et al.	7,063,456	B2	6/2006	Miller	
D291,659	S	9/1987	Powell	D525,080	S	7/2006	Katz	
4,762,057	A	8/1988	Hirota et al.	D526,839	S	8/2006	Boozer	
4,822,172	A	4/1989	Stottmann	D527,575	S	9/2006	Ulanski	
4,891,966	A	1/1990	Kramer	D527,588	S	* 9/2006	de Groot	D7/629
4,893,942	A	1/1990	Stottmann	D528,363	S	9/2006	Ulanski	
4,911,557	A	3/1990	Dormer	7,267,478	B2	9/2007	Miller	
D309,077	S	7/1990	Pomroy	D552,916	S	10/2007	Bodum	
4,968,864	A	11/1990	Doi et al.	7,275,666	B2	10/2007	Rukavina	
4,981,365	A	1/1991	Bow	7,281,842	B2	10/2007	Dickson	
5,156,867	A	10/1992	Leuthold et al.	7,350,963	B2	4/2008	Williams	
D335,382	S	5/1993	O'brien	7,357,273	B1	4/2008	Lutz	
D336,590	S	6/1993	Barnard	D568,156	S	5/2008	Wilson	
5,219,419	A	6/1993	Prothe	D577,545	S	9/2008	Ulanski	
5,226,558	A	7/1993	Whitney	7,422,362	B2	9/2008	Sands	
5,267,211	A	11/1993	Kobayashi et al.	D587,526	S	3/2009	Barnard et al.	
5,267,790	A	12/1993	Sutherland et al.	D588,406	S	3/2009	Ulanski et al.	
5,287,980	A	2/1994	Saltz	7,520,659	B2	4/2009	Wulf	
5,316,382	A	5/1994	Penaranda et al.	D597,380	S	8/2009	Epstein	
5,323,973	A	6/1994	Ferrara	7,632,007	B2	12/2009	Wulf	
5,332,115	A	7/1994	Schafer	7,648,264	B2	1/2010	Breviere	
D350,451	S	9/1994	Dickson	D611,384	S	3/2010	Biegel	
5,347,205	A	9/1994	Piland	D621,656	S	8/2010	Ulanski et al.	
5,360,176	A	11/1994	Mugge	D637,862	S	5/2011	Fouquet	
5,363,746	A	11/1994	Gordon	7,975,868	B1	7/2011	Flies	
5,392,695	A	2/1995	Junkel	D645,340	S	9/2011	Menard	
5,397,022	A	3/1995	Schafer	D655,133	S	3/2012	Brinckerhoff	
5,487,511	A	1/1996	Sansone	D661,947	S	6/2012	Conti	
5,531,153	A	7/1996	Maruyama et al.	D662,359	S	6/2012	Boozer et al.	
5,551,594	A	9/1996	Schafer	D664,808	S	8/2012	Dickson	
5,556,198	A	9/1996	Dickson, Jr. et al.	D672,617	S	* 12/2012	Stamper	D7/602
5,562,020	A	10/1996	Shigeshiro	D673,010	S	* 12/2012	Stamper	D7/602
5,577,735	A	11/1996	Reed et al.	D678,727	S	3/2013	Kolar et al.	
5,589,119	A	12/1996	Hetherington	D685,263	S	7/2013	Danenberg	
5,605,090	A	2/1997	Mantani et al.	8,529,120	B2	9/2013	Ulanski et al.	
5,616,083	A	4/1997	Subbaraman	D698,649	S	2/2014	Quint	
5,660,467	A	8/1997	Mineo et al.	D705,064	S	5/2014	Sy	
5,660,468	A	8/1997	Okajima	D705,606	S	5/2014	Coakley	
5,678,726	A	* 10/1997	Porteous	D708,903	S	* 7/2014	Wong	D7/378
			A61C 9/0026	D711,192	S	8/2014	Picozza	
			220/661	8,814,011	B2	8/2014	Ulanski et al.	
5,738,240	A	4/1998	Vavra	D738,670	S	9/2015	Sands	
5,768,978	A	6/1998	Dormer et al.	D742,172	S	11/2015	Dickson	
5,823,382	A	10/1998	Van Giezen	D753,482	S	* 4/2016	Serrano	D9/428
5,829,341	A	11/1998	Lin	D753,954	S	4/2016	Schreiber	
5,839,356	A	11/1998	Dornbush et al.	D756,771	S	5/2016	Covey	
5,888,565	A	3/1999	Gics	9,370,280	B2	6/2016	Conti	
5,957,577	A	9/1999	Dickson	D777,515	S	1/2017	Potter	
5,958,484	A	9/1999	Gics	D782,247	S	3/2017	Kim	
5,967,021	A	10/1999	Yung	D783,354	S	4/2017	Smith	
6,065,861	A	5/2000	Chen	D783,355	S	4/2017	Tu	
D429,956	S	8/2000	Bohannon	D783,356	S	4/2017	Kim	
6,116,469	A	9/2000	Wallays	D793,227	S	* 8/2017	Maskell	D7/602
D435,192	S	12/2000	Bohannon	D798,109	S	* 9/2017	Ulanski	D7/376
D437,192	S	2/2001	Verherbrugghen					

2002/0009017	A1	1/2002	Kolar et al.	JP	401310616	12/1989
2002/0141286	A1	10/2002	Wulf	JP	403193013	8/1991
2002/0176320	A1	11/2002	Wulf et al.	JP	404017820	1/1992
2003/0121189	A1	7/2003	Williams	JP	406178734	6/1994
2003/0147234	A1	8/2003	Harada	JP	H0937970	2/1997
2003/0213373	A1	11/2003	Dickson	JP	2002-210287	7/2002
2003/0214875	A1	11/2003	Dickson	JP	2005-04014 7	2/2005
2004/0011798	A1	1/2004	Dubois	KR	10-1995-0003546	2/1995
2004/0100862	A1	5/2004	Arroubi	KR	20-1999-0001638	1/1999
2004/0203387	A1	10/2004	Grannan	KR	10-2001-0073392	8/2001
2005/0018534	A1	1/2005	Nikkah	KR	10-2013-0085276	7/2013
2005/0061821	A1*	3/2005	Smith	WO	WO9615706	5/1996
			B65D 1/265	WO	WO03001954	1/2003
			220/675	WO	WO2005031952	4/2005
2005/0099884	A1	5/2005	Lee	WO	WO2006104651	10/2006
2005/0133514	A1	6/2005	Schutz	WO	WO2006124051	11/2006
2005/0229795	A1	10/2005	Stuckey	WO	WO2007061967	5/2007
2005/0258197	A1	11/2005	Rukavina			
2006/0086843	A1	4/2006	Lin et al.			
2006/0108372	A1	5/2006	Aiken			
2006/0169715	A1	8/2006	Emmendorfer et al.			
2006/0176765	A1	8/2006	Pryor			
2006/0203610	A1	9/2006	Bohannon, Jr. et al.			
2006/0214765	A1	9/2006	Pitchers et al.			
2006/0261066	A1	11/2006	Boozer			
2007/0165484	A1	7/2007	Branson			
2007/0210194	A1	9/2007	Carnevale			
2007/0221668	A1	9/2007	Baarman et al.			
2008/0170465	A1	7/2008	Bohannon			
2009/0032551	A1	2/2009	Mcginley			
2009/0045229	A1	2/2009	Mcginley			
2009/0078594	A1	3/2009	Lookholder			
2009/0129200	A1	5/2009	Breviere			
2009/0238034	A1	9/2009	Ulanski			
2011/0046786	A1	2/2011	Wulf			
2011/0189358	A1	8/2011	Herbert			
2011/0199852	A1	8/2011	Martin			
2011/0210195	A1	9/2011	Garcia			
2011/0240624	A1	10/2011	Zhang			
2011/0248108	A1	10/2011	Carriere			
2012/0206995	A1	8/2012	Wu			
2013/0074706	A1	3/2013	Fevre			
2013/0153572	A1	6/2013	Gillette			
2013/0192477	A1	8/2013	Hoare			
2014/0144804	A1	5/2014	Roodnat			
2014/0233344	A1	8/2014	Aliberti			
2014/0247686	A1	9/2014	Arnett			
2015/0008255	A1	1/2015	Lin			
2015/0044344	A1	2/2015	Choi			
2015/0258514	A1	9/2015	Boozer			
2015/0265983	A1	9/2015	Fleming et al.			
2015/0272394	A1	10/2015	Lin			
2015/0366385	A1	12/2015	Wang			
2017/0224169	A1	8/2017	Kolar			
2017/0274332	A1	9/2017	Gandhi			
2017/0283149	A1	10/2017	Rhue			

OTHER PUBLICATIONS

Copenheaver, Blaine, International Search Report and Written Opinion, PCT/US2014/029134, dated Aug. 1, 2014, International Search Authority/USA.
 Young, Lee W., International Search Report and Written Opinion, PCT/US2014/029384, dated Aug. 11, 2014, International Search Authority/USA.
 Gaggia Espanola, S.A., ipanerma, brochure, undated.
 Gaggia Espanola, S.A., Copacabana, brochure, undated.
 Gaggia Espanola, S.A., ipanema Space-Saving High Technology, brochure, undated.
 Young, Lee, International Search Report and Written Opinion, PCT/US2015/020769, dated Jun. 17, 2015, ISA/US, Alexandria, Virginia.
 International Search Report for PCT/US2015/021663 dated Jun. 25, 2015.
 Annex to Form PCT/ISA/206 Communication Relating to the Results of the Partial International Search (International Application No. PCT/US2009/001077—1 page from communication dated Jun. 29, 2009).

* cited by examiner

Primary Examiner — Ricky Pham
 (74) Attorney, Agent, or Firm — McDonald Hopkins LLC

(57) CLAIM

The ornamental design for a container, as shown and described.

DESCRIPTION

FIG. 1 is a perspective view of a container showing our new design;
 FIG. 2 is a front side view thereof;
 FIG. 3 is a back side view thereof;
 FIG. 4 is a first side view thereof;
 FIG. 5 is a second side view thereof;
 FIG. 6 is a top view thereof; and,
 FIG. 7 is a bottom view thereof.
 The broken lines shown in the drawings are for illustrative purposes only and form no part of the claimed design.

1 Claim, 3 Drawing Sheets

FOREIGN PATENT DOCUMENTS

CN	200939970	8/2007
CN	200973620	11/2007
CN	101194807	6/2008
CN	201899991	7/2011
CN	202312540	7/2012
DE	19539382	1/1997
EP	0963726	12/1999
FR	2585676	2/1987
GB	3013649	7/2003
GB	2398733	9/2004
JP	401145030	6/1989
JP	H1145031	6/1989

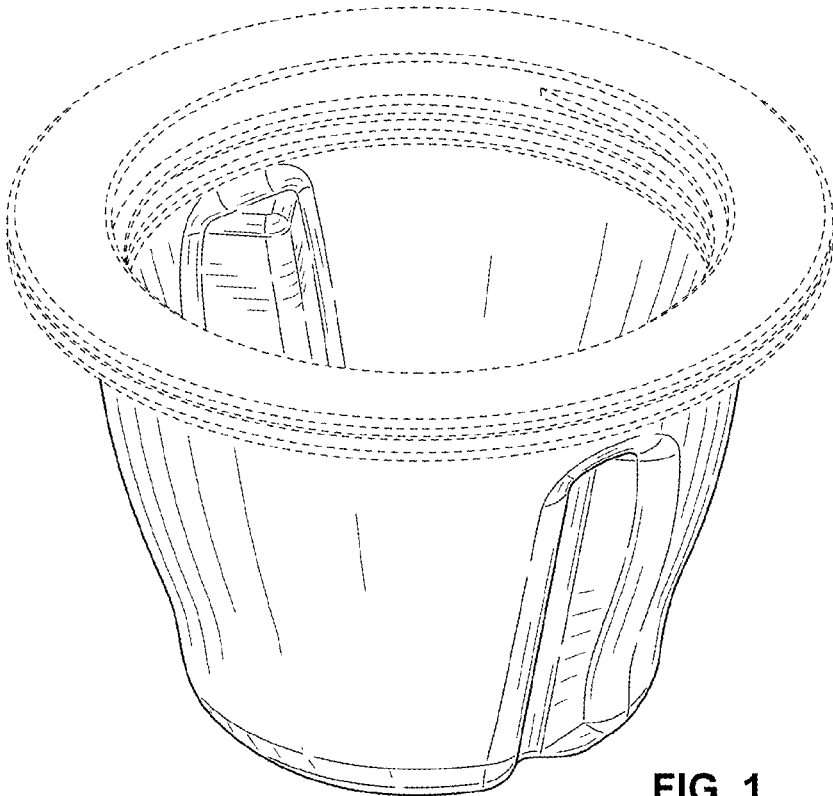


FIG. 1

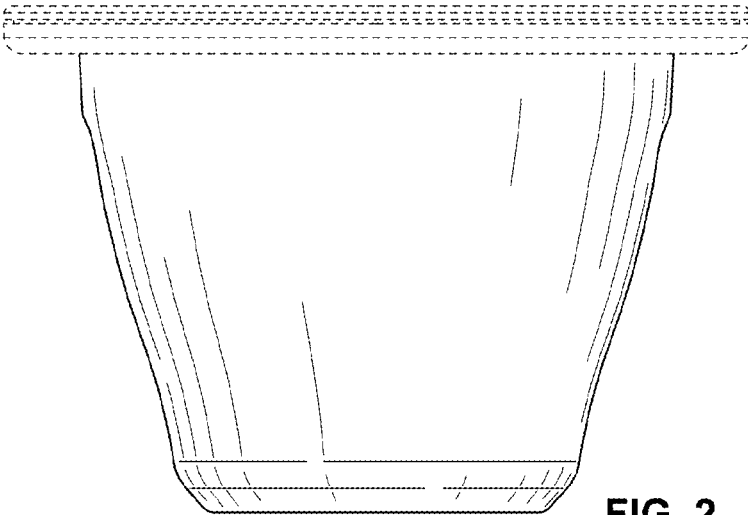


FIG. 2

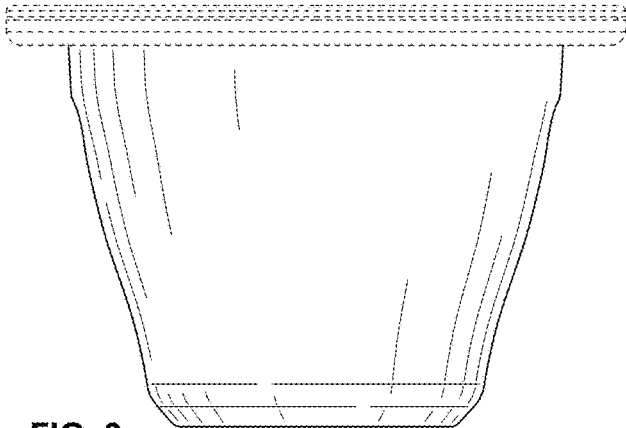


FIG. 3

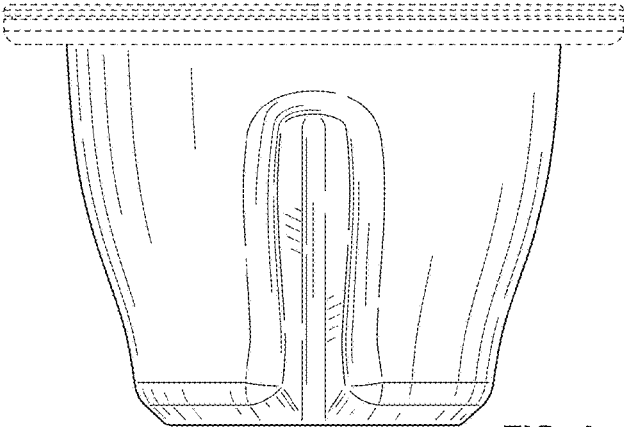


FIG. 4

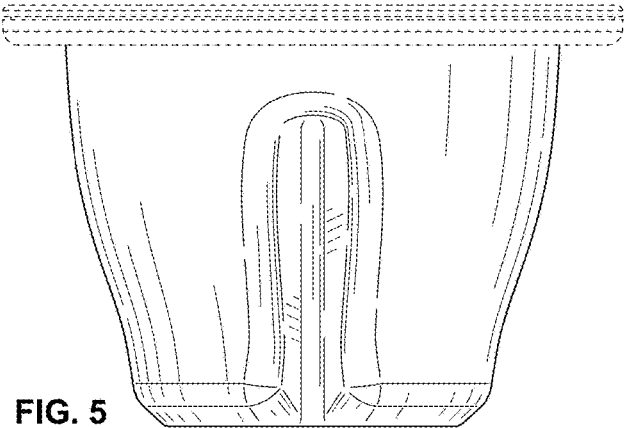


FIG. 5

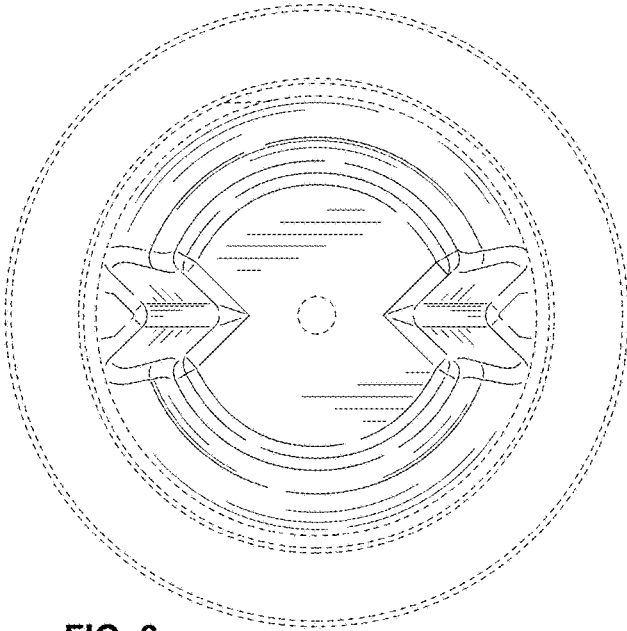


FIG. 6

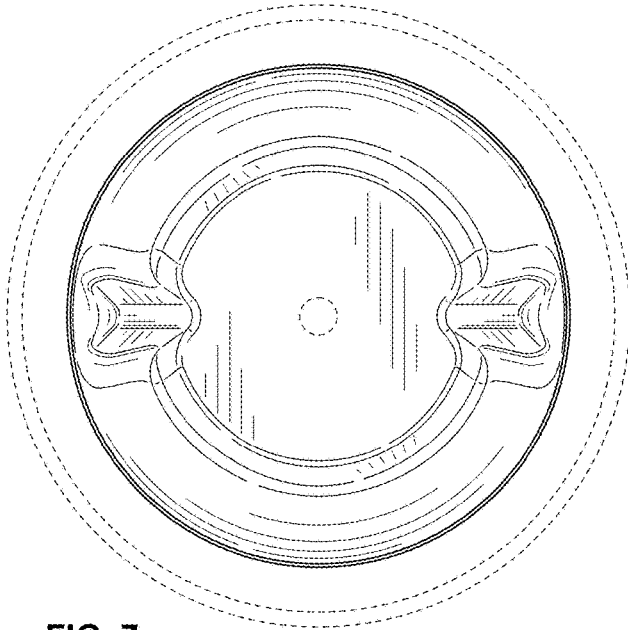


FIG. 7