



US00D623701S

(12) **United States Design Patent**
Dalgaard et al.

(10) **Patent No.:** **US D623,701 S**

(45) **Date of Patent:** **** Sep. 14, 2010**

(54) **CASTER SCOOTER**

(75) Inventors: **Martin Dalgaard**, Topanga, CA (US);
James Ibon, Porter Ranch, CA (US)

(73) Assignee: **Jason Weiner**, Laguna Beach, CA (US)

(**) Term: **14 Years**

(21) Appl. No.: **29/345,596**

(22) Filed: **Oct. 19, 2009**

(51) **LOC (9) Cl.** **21-01**

(52) **U.S. Cl.** **D21/423; D21/771**

(58) **Field of Classification Search** D21/419,
D21/421, 423, 426, 769, 760, 765, 771, 803;
D12/1, 8; 280/14.21, 14.25, 14.26, 87.041,
280/87.042, 263, 288.1, 288.2, 288.4, 200,
280/214, 809; 180/180, 181

See application file for complete search history.

(56) **References Cited**

U.S. PATENT DOCUMENTS

- 4,082,306 A * 4/1978 Sheldon 280/87.042
- D261,544 S * 10/1981 Cramer D21/765
- D418,567 S * 1/2000 Robinette D21/760
- 6,481,913 B2 11/2002 Chen
- D470,898 S * 2/2003 Chen D21/423
- D479,734 S * 9/2003 Schaffer et al. D21/423
- 6,834,867 B2 * 12/2004 Smith 280/14.21
- D516,132 S 2/2006 Sramek
- D552,201 S * 10/2007 Kwak D21/765
- 7,338,056 B2 * 3/2008 Chen et al. 280/87.042
- 7,347,431 B2 * 3/2008 Hill et al. 280/87.042
- D569,448 S 5/2008 Sramek et al.
- 7,367,572 B2 * 5/2008 Jiang 280/87.042
- D572,332 S 7/2008 Sramek et al.
- D575,352 S 8/2008 Sramek et al.
- D577,789 S * 9/2008 Mazur D21/765
- D583,006 S * 12/2008 Hennings, III D21/803
- 7,484,742 B2 * 2/2009 Choi 280/87.042
- 7,600,768 B2 10/2009 Chen et al.

- 2002/0067018 A1 6/2002 Shaw
- 2002/0105157 A1 * 8/2002 Chen 280/87.041
- 2004/0262872 A1 * 12/2004 Kang 280/87.042
- 2006/0055137 A1 * 3/2006 Jiang 280/87.042
- 2006/0163830 A1 * 7/2006 Kwak 280/87.042

(Continued)

OTHER PUBLICATIONS

Street Surfing LLC; The Wave Owner's Manual; 2005; 4 pages.

(Continued)

Primary Examiner—Cynthia M Chin
(74) *Attorney, Agent, or Firm*—Mind Law Firm, P.C.;
Jeromye V. Sartain; Justin G. Sanders

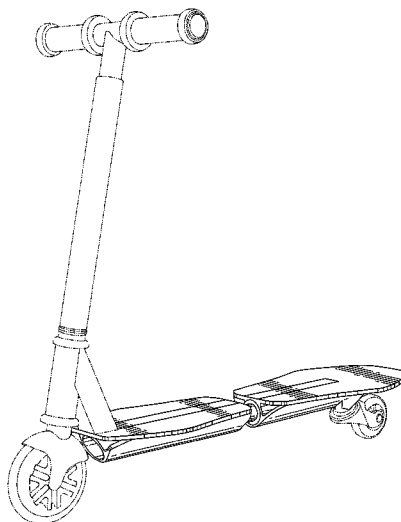
(57) **CLAIM**

The ornamental design for caster scooter, as shown and described.

DESCRIPTION

FIG. 1 is a perspective view of a scooter showing the new design;
FIG. 2 is a top plan view of the scooter of FIG. 1;
FIG. 3 is a bottom plan view of the scooter of FIG. 1;
FIG. 4 is a side elevational view of the scooter of FIG. 1;
FIG. 5 is a front elevational view of the scooter of FIG. 1; and,
FIG. 6 is a rear elevational view of the scooter of FIG. 1.
The broken lines represent portions of the design and the environment in which it resides and forms no part of the claim.

1 Claim, 5 Drawing Sheets



US D623,701 S

Page 2

U.S. PATENT DOCUMENTS

2007/0001414 A1* 1/2007 Kang 280/87.041
2007/0273118 A1* 11/2007 Conrad 280/87.042
2009/0058028 A1* 3/2009 Chen et al. 280/87.042
2009/0134591 A1* 5/2009 Chen et al. 280/87.042
2009/0200764 A1* 8/2009 Jang et al. 280/87.042

OTHER PUBLICATIONS

Razor USA LLC; Razor Kick Scooter Owner's Manual: A-Type, Cruiser & ProModel Scooter; 2007; 6 pages.
Razor USA LLC; Ripstick Caster Board Owner's Manual; Revision: Jan. 25, 2008; 4 pages.

* cited by examiner

FIG. 1

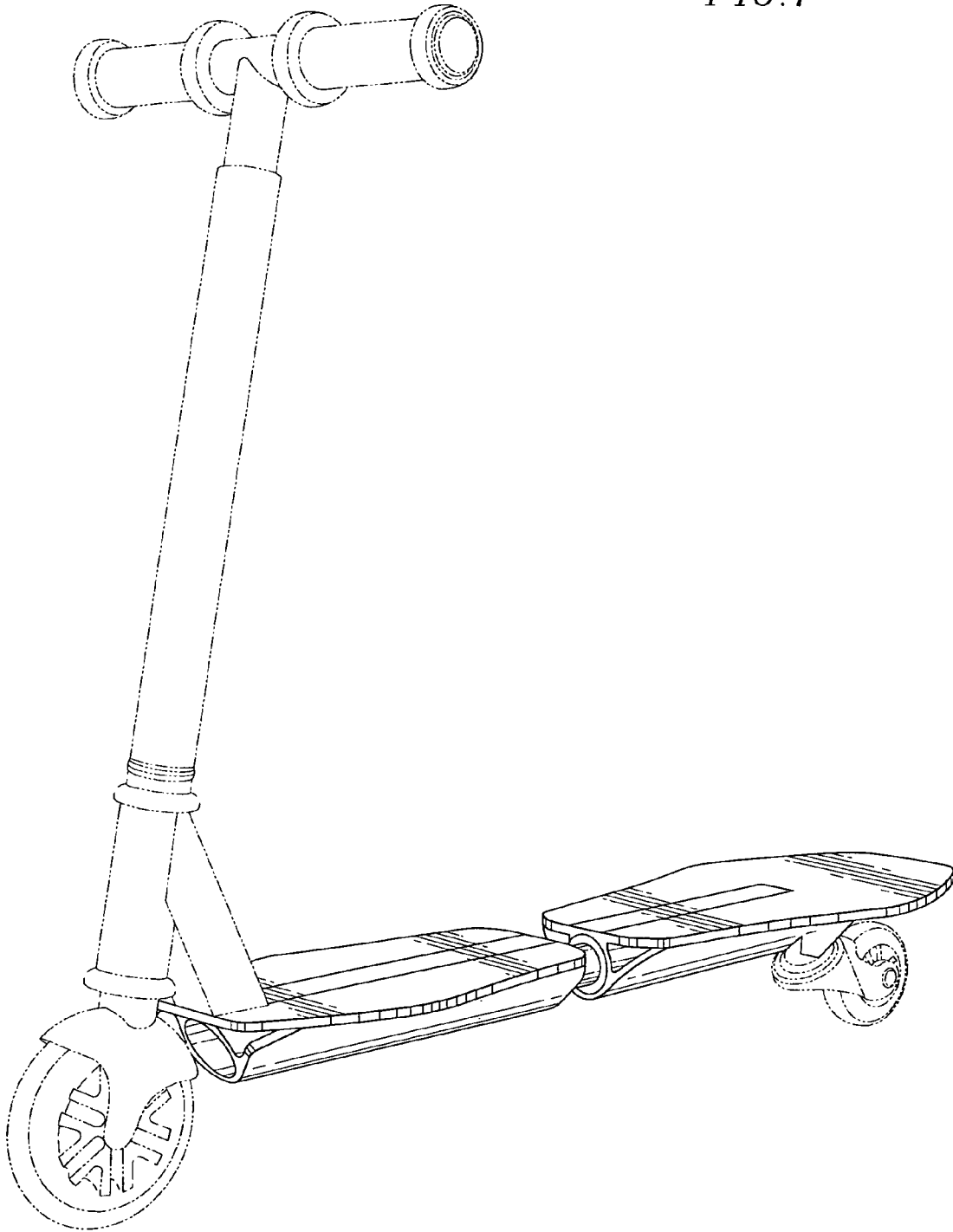


FIG. 2

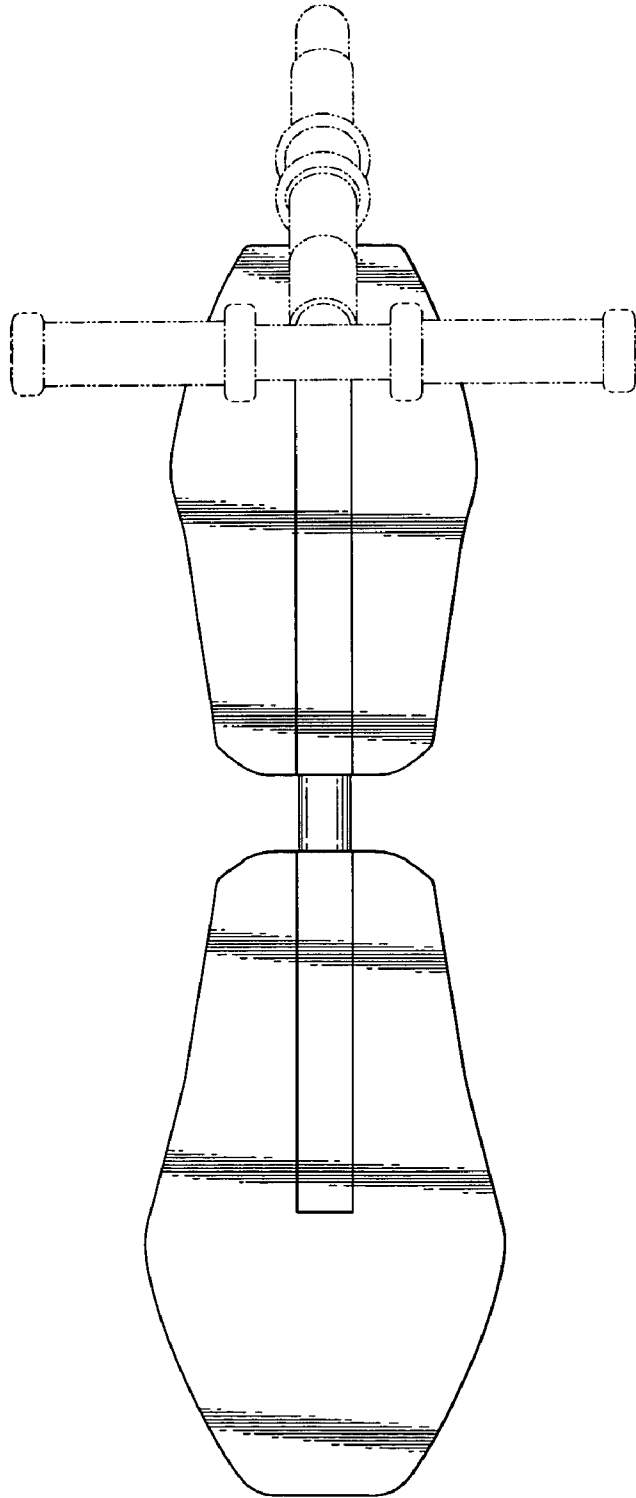
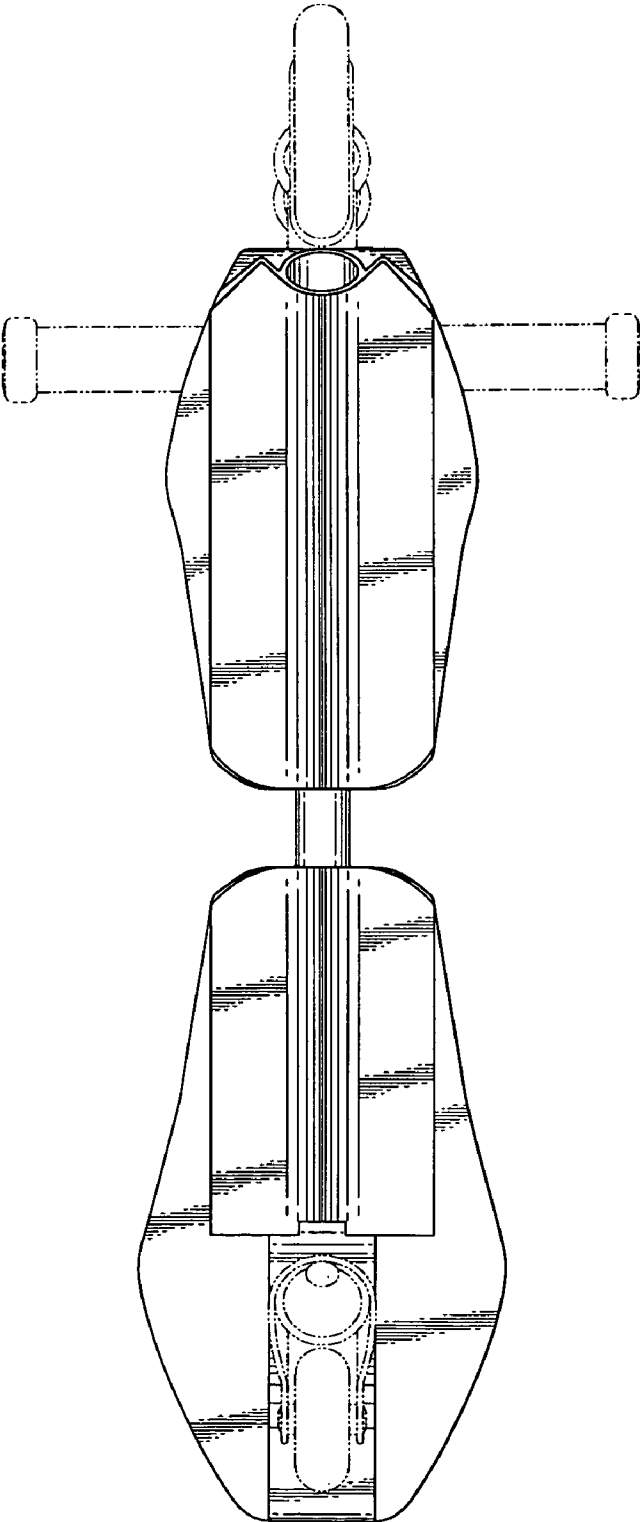


FIG. 3



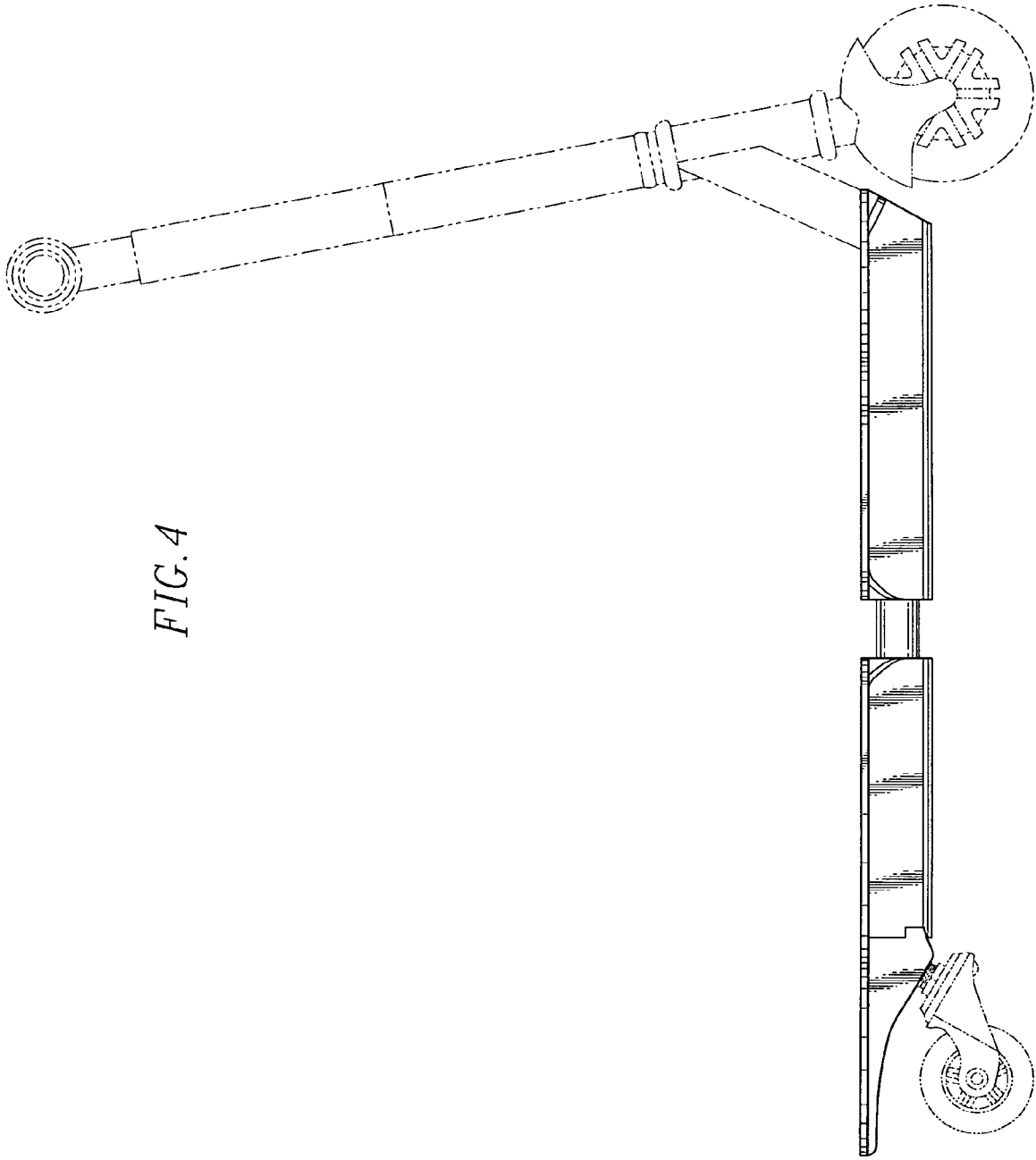


FIG. 4

