

[54] **WIRE CHANNEL**

[75] **Inventor:** David W. Bramwell, Prestatyn,
United Kingdom

[73] **Assignee:** EGA Limited, United Kingdom

[*] **Notice:** The portion of the term of this patent
subsequent to May 5, 2001 has been
disclaimed.

[**] **Term:** 14 Years

[21] **Appl. No.:** 641,494

[22] **Filed:** Aug. 15, 1984

[30] **Foreign Application Priority Data**

Jun. 26, 1984 [GB] United Kingdom 1020639

[52] **U.S. Cl.** **D13/13**

[58] **Field of Search** D13/13, 24-26,
D13/28-31; 174/48, 68 R, 68 C, 72 A, 73 R, 74
A, 74 R, 76, 77, 82, 93, 98, 101; 138/151, 156,
157

[56]

References Cited

U.S. PATENT DOCUMENTS

D. 269,968	8/1983	Rodriguez Moura	D13/13
2,292,395	8/1942	O'Brien	174/101
3,403,220	9/1968	Riedel et al.	138/162 X
4,589,449	5/1986	Bramwell	138/162

FOREIGN PATENT DOCUMENTS

2406327	6/1979	France	138/166
1021871	3/1966	United Kingdom	174/101

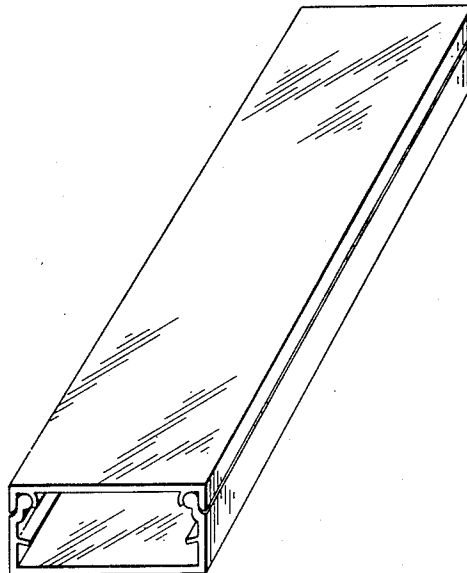
Primary Examiner—Susan J. Lucas
Assistant Examiner—C. E. Heflin
Attorney, Agent, or Firm—Andrus, Scales, Starke &
Sawall

CLAIM

[57] The ornamental design for a wire channel, as shown and described.

DESCRIPTION

FIG. 1 is a perspective view of the wire channel taken from the side and one end showing my new design; FIG. 2 is an opposite end elevational view thereof. The trunking comprises an elongate channel member and a snap-fit cover member. The channel is secured to a substrate such as a wall, and services, such as electric and telephone cable, laid therein before the cover is fitted thereof.



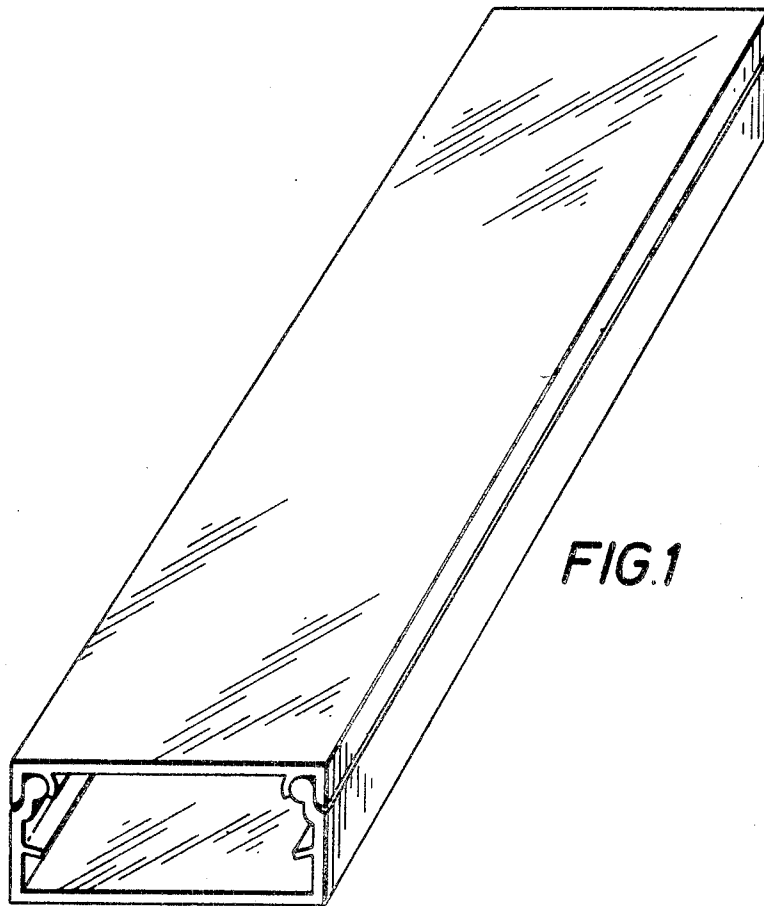


FIG. 1

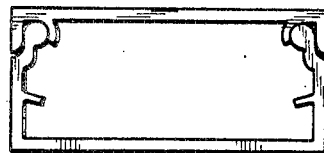


FIG. 2