

(19) World Intellectual Property Organization  
International Bureau



(43) International Publication Date  
14 February 2008 (14.02.2008)

PCT

(10) International Publication Number  
**WO 2008/017879 A3**

(51) International Patent Classification:  
G01R 33/28 (2006.01)

(21) International Application Number:  
PCT/GB2007/050376

(22) International Filing Date: 4 July 2007 (04.07.2007)

(25) Filing Language: English

(26) Publication Language: English

(30) Priority Data:  
0615600.4 7 August 2006 (07.08.2006) GB

(71) Applicant (for all designated States except US):  
**SIEMENS MAGNET TECHNOLOGY LIMITED**  
[GB/GB]; Wharf Road, Witney Oxfordshire OX29 4BP  
(GB).

(72) Inventors; and

(75) Inventors/Applicants (for US only): **TROWELL,**  
**Stephen Paul** [GB/GB]; Hepzibah Cottage, 2 Wards  
Lane, Finstock Oxfordshire OX7 3BP (GB). **TIGWELL,**  
**Neil Charles** [GB/GB]; 19 Davenport Road, Witney  
Oxfordshire OX28 6EL (GB).

(74) Agents: **FRENCH, Clive Harry** et al.; Siemens Aktiengesellschaft, Postfach 22 16 34, 80506 Munich (DE).

(81) Designated States (unless otherwise indicated, for every kind of national protection available): AE, AG, AL, AM, AT, AU, AZ, BA, BB, BG, BH, BR, BW, BY, BZ, CA, CH, CN, CO, CR, CU, CZ, DE, DK, DM, DO, DZ, EC, EE, EG, ES, FI, GB, GD, GE, GH, GM, GT, HN, HR, HU, ID, IL, IN, IS, JP, KE, KG, KM, KN, KP, KR, KZ, LA, LC, LK, LR, LS, LT, LU, LY, MA, MD, MG, MK, MN, MW, MX, MY, MZ, NA, NG, NI, NO, NZ, OM, PG, PH, PL, PT, RO, RS, RU, SC, SD, SE, SG, SK, SL, SM, SV, SY, TJ, TM, TN, TR, TT, TZ, UA, UG, US, UZ, VC, VN, ZA, ZM, ZW.

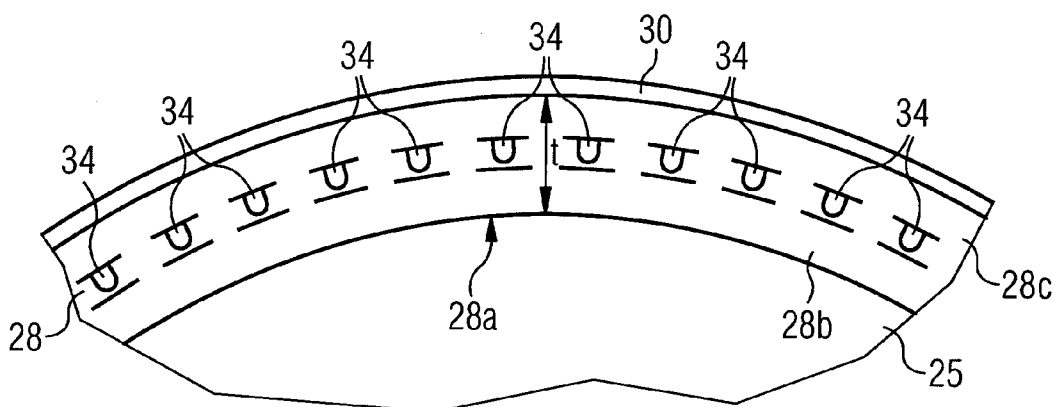
(84) Designated States (unless otherwise indicated, for every kind of regional protection available): ARIPO (BW, GH, GM, KE, LS, MW, MZ, NA, SD, SL, SZ, TZ, UG, ZM, ZW), Eurasian (AM, AZ, BY, KG, KZ, MD, RU, TJ, TM), European (AT, BE, BG, CH, CY, CZ, DE, DK, EE, ES, FI, FR, GB, GR, HU, IE, IS, IT, LT, LU, LV, MC, MT, NL, PL, PT, RO, SE, SI, SK, TR), OAPI (BF, BJ, CF, CG, CI, CM, GA, GN, GQ, GW, ML, MR, NE, SN, TD, TG).

Published:

- with international search report
- before the expiration of the time limit for amending the claims and to be republished in the event of receipt of amendments

(88) Date of publication of the international search report:  
3 April 2008

(54) Title: IMAGING MAGNET WITH ILLUMINATED BORE



(57) Abstract: An imaging magnet having a patient bore (25) for receiving a human or animal patient, comprising a body coil assembly (24) comprising a body coil former (28) and a body coil (30). The body coil assembly is provided with at least one source of light (34, 36) incorporated within the body coil assembly for providing light into the patient bore (25).



WO 2008/017879 A3

# INTERNATIONAL SEARCH REPORT

International application No  
PCT/GB2007/050376

<b>A. CLASSIFICATION OF SUBJECT MATTER</b> INV. G01R33/28				
According to International Patent Classification (IPC) or to both national classification and IPC				
<b>B. FIELDS SEARCHED</b>				
Minimum documentation searched (classification system followed by classification symbols) G01R A61B				
Documentation searched other than minimum documentation to the extent that such documents are included in the fields searched				
Electronic data base consulted during the international search (name of data base and, where practical, search terms used) EPO-Internal, INSPEC, EMBASE, BIOSIS, COMPENDEX, PAJ, WPI Data				
<b>C. DOCUMENTS CONSIDERED TO BE RELEVANT</b>				
Category*	Citation of document, with indication, where appropriate, of the relevant passages	Relevant to claim No.		
Y	JP 08 131420 A (HITACHI MEDICAL CORP) 28 May 1996 (1996-05-28) paragraphs [0012], [0017]; figures 1,2 -----	1-10		
Y	US 5 990 681 A (RICHARD MARK A [US] ET AL) 23 November 1999 (1999-11-23) column 6, line 29 - line 35 -----	1-10		
Y	US 5 355 885 A (TSUDA MUNETAKA [JP] ET AL) 18 October 1994 (1994-10-18) cited in the application column 11, line 56 - line 59 -----	6-10		
A	JP 05 146423 A (SHIMADZU CORP) 15 June 1993 (1993-06-15) abstract; figures 1-3 -----	1,5		
-/--				
<input checked="" type="checkbox"/> Further documents are listed in the continuation of Box C.				
<input checked="" type="checkbox"/> See patent family annex.				
* Special categories of cited documents :				
<table style="width: 100%; border: none;"> <tr> <td style="width: 50%; vertical-align: top; padding: 5px;">                     *A* document defining the general state of the art which is not considered to be of particular relevance                      *E* earlier document but published on or after the international filing date                      *L* document which may throw doubts on priority claim(s) or which is cited to establish the publication date of another citation or other special reason (as specified)                      *O* document referring to an oral disclosure, use, exhibition or other means                      *P* document published prior to the international filing date but later than the priority date claimed                 </td> <td style="width: 50%; vertical-align: top; padding: 5px;">                     *T* later document published after the international filing date or priority date and not in conflict with the application but cited to understand the principle or theory underlying the invention                      *X* document of particular relevance; the claimed invention cannot be considered novel or cannot be considered to involve an inventive step when the document is taken alone                      *Y* document of particular relevance; the claimed invention cannot be considered to involve an inventive step when the document is combined with one or more other such documents, such combination being obvious to a person skilled in the art.                      *&amp;* document member of the same patent family                 </td> </tr> </table>			*A* document defining the general state of the art which is not considered to be of particular relevance *E* earlier document but published on or after the international filing date *L* document which may throw doubts on priority claim(s) or which is cited to establish the publication date of another citation or other special reason (as specified) *O* document referring to an oral disclosure, use, exhibition or other means *P* document published prior to the international filing date but later than the priority date claimed	*T* later document published after the international filing date or priority date and not in conflict with the application but cited to understand the principle or theory underlying the invention *X* document of particular relevance; the claimed invention cannot be considered novel or cannot be considered to involve an inventive step when the document is taken alone *Y* document of particular relevance; the claimed invention cannot be considered to involve an inventive step when the document is combined with one or more other such documents, such combination being obvious to a person skilled in the art. *&* document member of the same patent family
*A* document defining the general state of the art which is not considered to be of particular relevance *E* earlier document but published on or after the international filing date *L* document which may throw doubts on priority claim(s) or which is cited to establish the publication date of another citation or other special reason (as specified) *O* document referring to an oral disclosure, use, exhibition or other means *P* document published prior to the international filing date but later than the priority date claimed	*T* later document published after the international filing date or priority date and not in conflict with the application but cited to understand the principle or theory underlying the invention *X* document of particular relevance; the claimed invention cannot be considered novel or cannot be considered to involve an inventive step when the document is taken alone *Y* document of particular relevance; the claimed invention cannot be considered to involve an inventive step when the document is combined with one or more other such documents, such combination being obvious to a person skilled in the art. *&* document member of the same patent family			
Date of the actual completion of the international search  <div style="text-align: center; font-weight: bold;">31 January 2008</div>		Date of mailing of the international search report  <div style="text-align: center; font-weight: bold;">07/02/2008</div>		
Name and mailing address of the ISA/ European Patent Office, P.B. 5818 Patentlaan 2 NL - 2280 HV Rijswijk Tel. (+31-70) 340-2040, Tx. 31 651 epo nl, Fax: (+31-70) 340-3016		Authorized officer  <div style="text-align: center; font-weight: bold;">Skalla, Jörg</div>		

## INTERNATIONAL SEARCH REPORT

International application No  
PCT/GB2007/050376

C(Continuation). DOCUMENTS CONSIDERED TO BE RELEVANT		
Category*	Citation of document, with indication, where appropriate, of the relevant passages	Relevant to claim No.
A	JP 02 098003 A (TOKYO SHIBAURA ELECTRIC CO) 10 April 1990 (1990-04-10) abstract; figure 6 -----	1,5
A	JP 06 030910 A (TOKYO SHIBAURA ELECTRIC CO) 8 February 1994 (1994-02-08) abstract; figures 1,2 -----	1,5

# INTERNATIONAL SEARCH REPORT

Information on patent family members

International application No PCT/GB2007/050376
---

Patent document cited in search report	A	Publication date	Patent family member(s)	Publication date
JP 8131420	A	28-05-1996	NONE	
US 5990681	A	23-11-1999	NONE	
US 5355885	A	18-10-1994	JP 3192453 B2 JP 5161626 A	30-07-2001 29-06-1993
JP 5146423	A	15-06-1993	NONE	
JP 2098003	A	10-04-1990	NONE	
JP 6030910	A	08-02-1994	NONE	