



US00D567022S

(12) **United States Design Patent**  
**Spangrud**

(10) **Patent No.:** **US D567,022 S**

(45) **Date of Patent:** **\*\* Apr. 22, 2008**

(54) **WARMING TRAY FOR A BARBEQUE GRILL**

(75) Inventor: **Bruce D. Spangrud**, Las Vegas, NV  
(US)

(73) Assignee: **Outdoor Kitchen Concepts, Inc.**, Las Vegas, NV (US)

(\*\*) Term: **14 Years**

(21) Appl. No.: **29/289,929**

(22) Filed: **Aug. 6, 2007**

**Related U.S. Application Data**

(60) Continuation of application No. 11/285,709, filed on Nov. 22, 2005, which is a division of application No. 10/741,537, filed on Dec. 19, 2003, now Pat. No. 7,267,544.

(51) **LOC (8) Cl.** ..... **07-02**

(52) **U.S. Cl.** ..... **D7/409**

(58) **Field of Classification Search** ..... D7/323,  
D7/354-361, 402, 552.1, 409, 554.3; D6/462,  
D6/475; 99/422-427, 396, 421 A, 421 H,  
99/421 R, 444-450; 211/85.4; 220/573.1,  
220/485, 491-494, 752, 759, 769, 912

See application file for complete search history.

(56) **References Cited**

**U.S. PATENT DOCUMENTS**

- D192,036 S \* 1/1962 Raymond ..... D7/552.1
- 4,428,281 A \* 1/1984 Miller ..... 99/445
- D322,182 S \* 12/1991 Corsile ..... D6/419
- D370,595 S \* 6/1996 Koziol ..... D7/409
- D378,561 S \* 3/1997 Ferris et al. .... D7/554.3
- 5,678,531 A 10/1997 Byers et al.

- 5,839,361 A 11/1998 Richter
- 5,870,946 A \* 2/1999 Dudley ..... 99/426
- D417,124 S \* 11/1999 Chen ..... D7/409
- D446,683 S \* 8/2001 Pai ..... D7/402
- 6,279,469 B1 \* 8/2001 Bailey ..... 99/450
- 6,481,343 B1 \* 11/2002 Rigney et al. .... 99/396
- 7,267,544 B2 9/2007 Spangrud
- 2004/0065313 A1 4/2004 Thompson
- 2006/0070614 A1 4/2006 Spangrud

\* cited by examiner

*Primary Examiner*—Mimosa De

*Assistant Examiner*—Ricky Pham

(74) *Attorney, Agent, or Firm*—Weide & Miller, Ltd.

(57) **CLAIM**

The ornamental design for a warming tray for a barbecue grill, as shown and described.

**DESCRIPTION**

FIG. 1 is an isometric view of a warming tray for a barbecue grill in accordance with my new design;

FIG. 2 is a top view of the warming tray for a barbecue grill of FIG. 1;

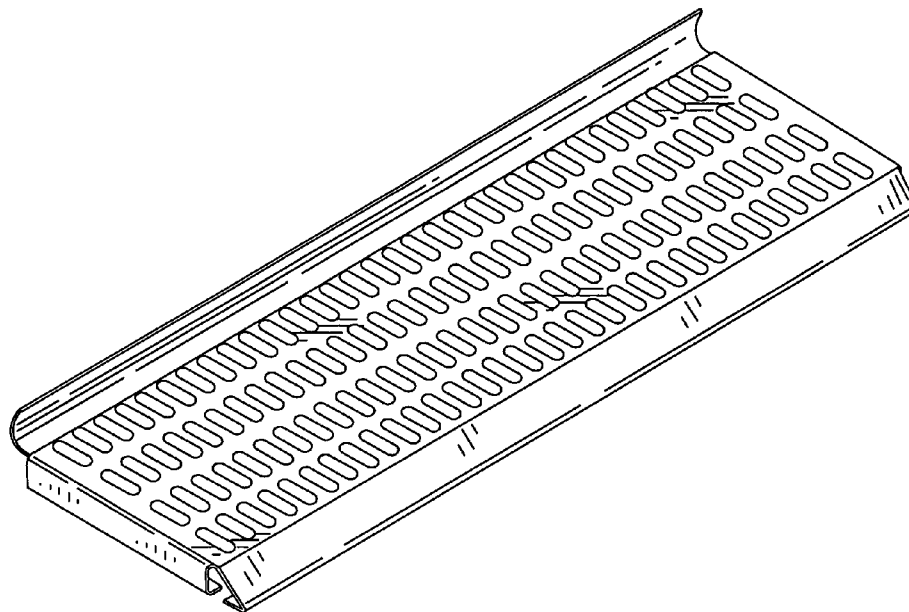
FIG. 3 is a front view of the warming tray for a barbecue grill of FIG. 1;

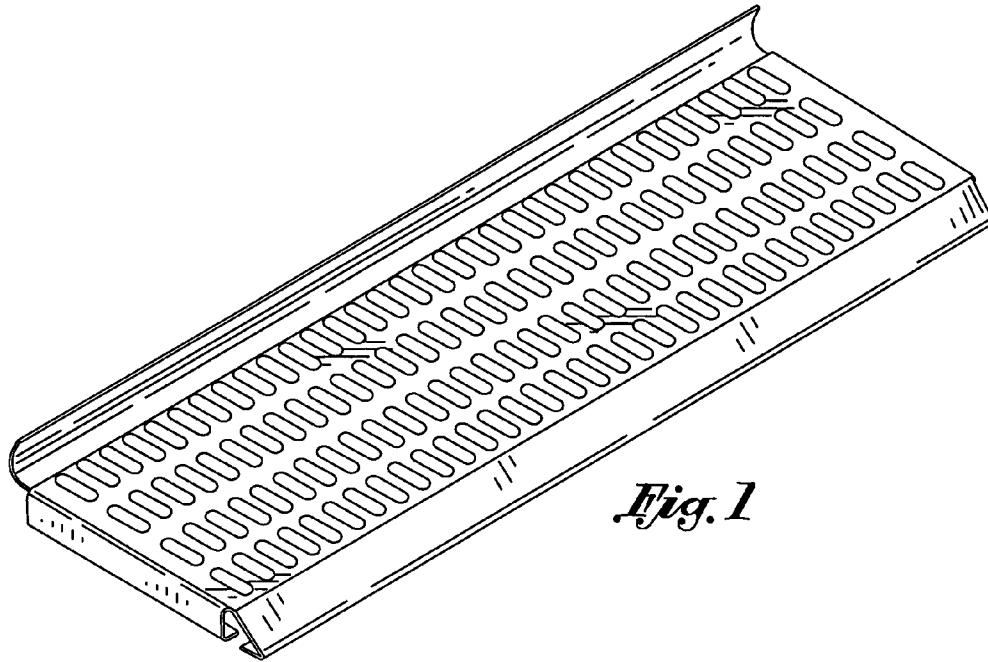
FIG. 4 is a right side view of the warming tray for a barbecue grill of FIG. 1;

FIG. 5 is a rear view of the warming tray for a barbecue grill of FIG. 1; and,

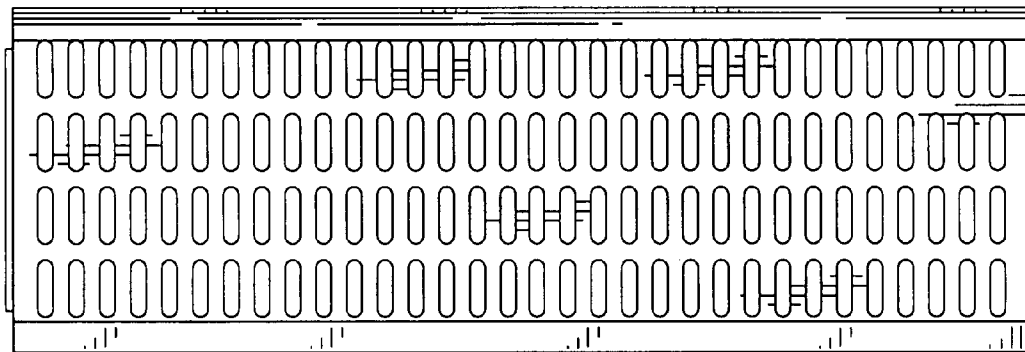
FIG. 6 is bottom view of the warming tray for a barbecue grill of FIG. 1.

**1 Claim, 2 Drawing Sheets**

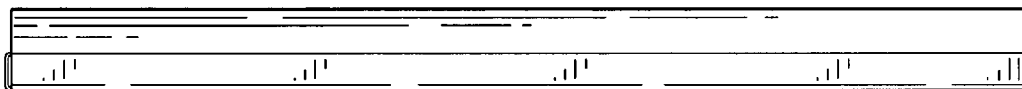




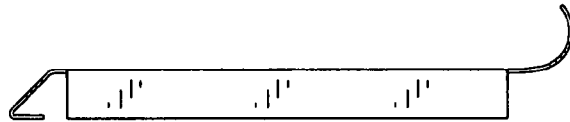
*Fig. 1*



*Fig. 2*



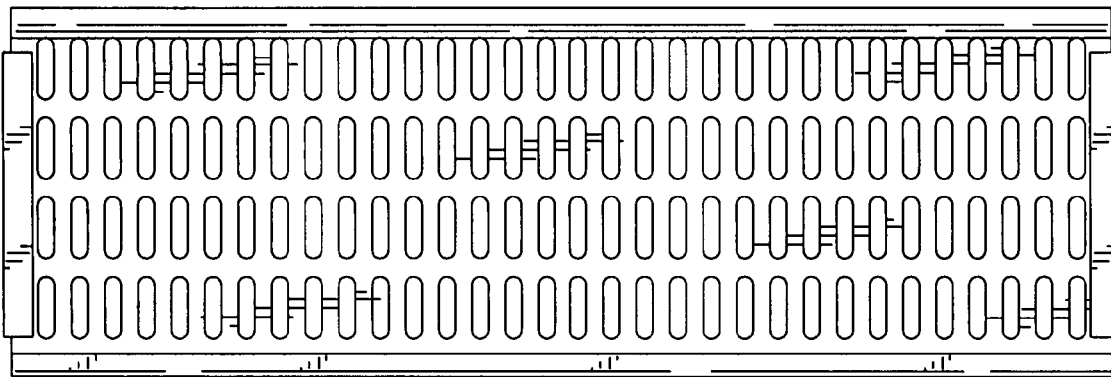
*Fig. 3*



*Fig. 4*



*Fig. 5*



*Fig. 6*