



US00D434361S

# United States Patent [19]

[11] Patent Number: Des. 434,361

Block et al.

[45] Date of Patent: \*\* Nov. 28, 2000

[54] RIGID TONNEAU COVER WITH INTEGRAL TOOL BOX

Attorney, Agent, or Firm—Knobbe Martens Olson & Bear, LLP

[75] Inventors: David C. Block, Redlands; Gerald B. Block, Hemet, both of Calif.

### [57] CLAIM

The ornamental design for a rigid tonneau cover with integral tool box, as shown as described.

[73] Assignee: Vista Consolidated, Inc., San Bernardino, Calif.

### DESCRIPTION

[\*\*] Term: 14 Years

FIG. 1 is a perspective view of a rigid tonneau cover with integral tool box showing our new design, shown in its position of use;

[21] Appl. No.: 29/124,371

FIG. 2 is a perspective view of the rigid tonneau cover with integral tool box of FIG. 1 with the cover of the tool box portion shown in open position;

[22] Filed: Jun. 5, 2000

FIG. 3 is a top view of the rigid tonneau cover with integral tool box of FIG. 1;

[51] LOC (7) Cl. .... 12-16

[52] U.S. Cl. .... D12/401

[58] Field of Search ..... D12/400, 401, D12/412, 406, 415, 423; 296/98-100, 100.1-101; 160/26, 33, 133, 32, 36

FIG. 4 is a left side view of the rigid tonneau cover with integral tool box of FIG. 1, the right side being a mirror image thereof;

### [56] References Cited

#### U.S. PATENT DOCUMENTS

D. 329,998	10/1992	Sutton et al.	.....	D12/401
D. 335,850	5/1993	Cyrson	.....	D12/401
D. 365,080	12/1995	Loughlin	.....	D12/401
D. 403,292	12/1998	Bogard	.....	D12/401
D. 421,736	3/2000	Bogard	.....	D12/401
3,489,456	1/1970	Klanke	.....	D12/401 X
4,615,557	10/1986	Robinson	.....	296/100
4,789,197	12/1988	Lewis	.....	296/100
5,595,417	1/1997	Thoman et al.	.....	296/100
5,620,040	4/1997	Swanner	.....	296/100 X

FIG. 5 is a bottom view of the rigid tonneau cover with integral tool box of FIG. 1;

FIG. 6 is a front view of the rigid tonneau cover with integral tool box of FIG. 1;

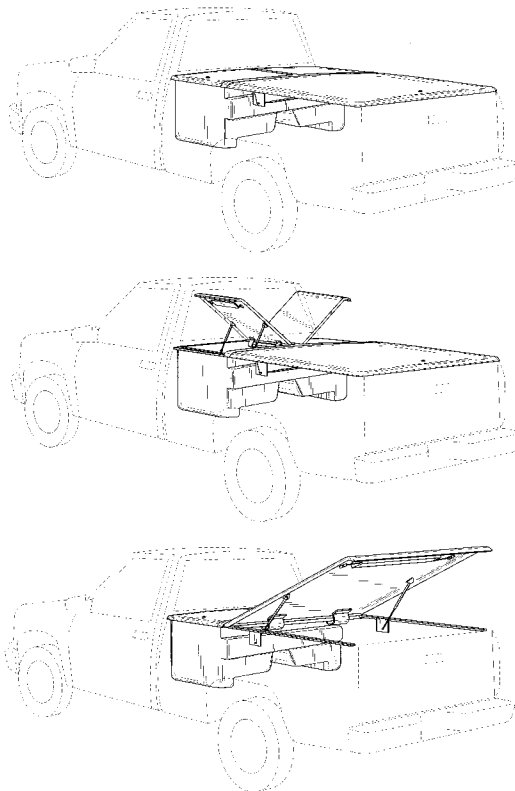
FIG. 7 is a back view of the rigid tonneau cover with integral tool box of FIG. 1; and,

FIG. 8 is a perspective view of the rigid tonneau cover with integral tool box of FIG. 1 with the back cover portion shown in open position.

The broken line showing of environment is for illustrative purposes only and forms no part of the claimed design.

Primary Examiner—Stacia Cadmus

1 Claim, 5 Drawing Sheets



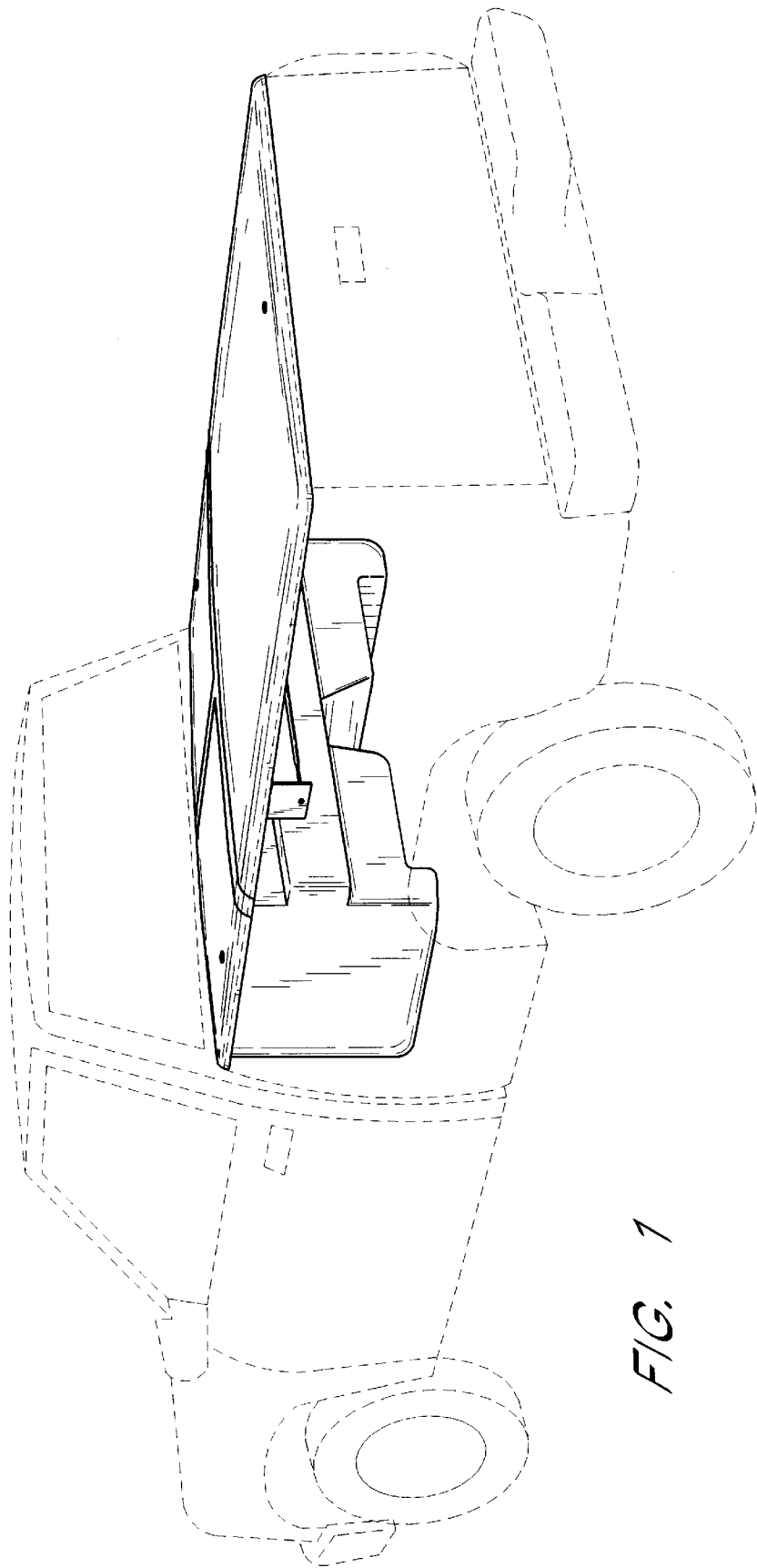


FIG. 1

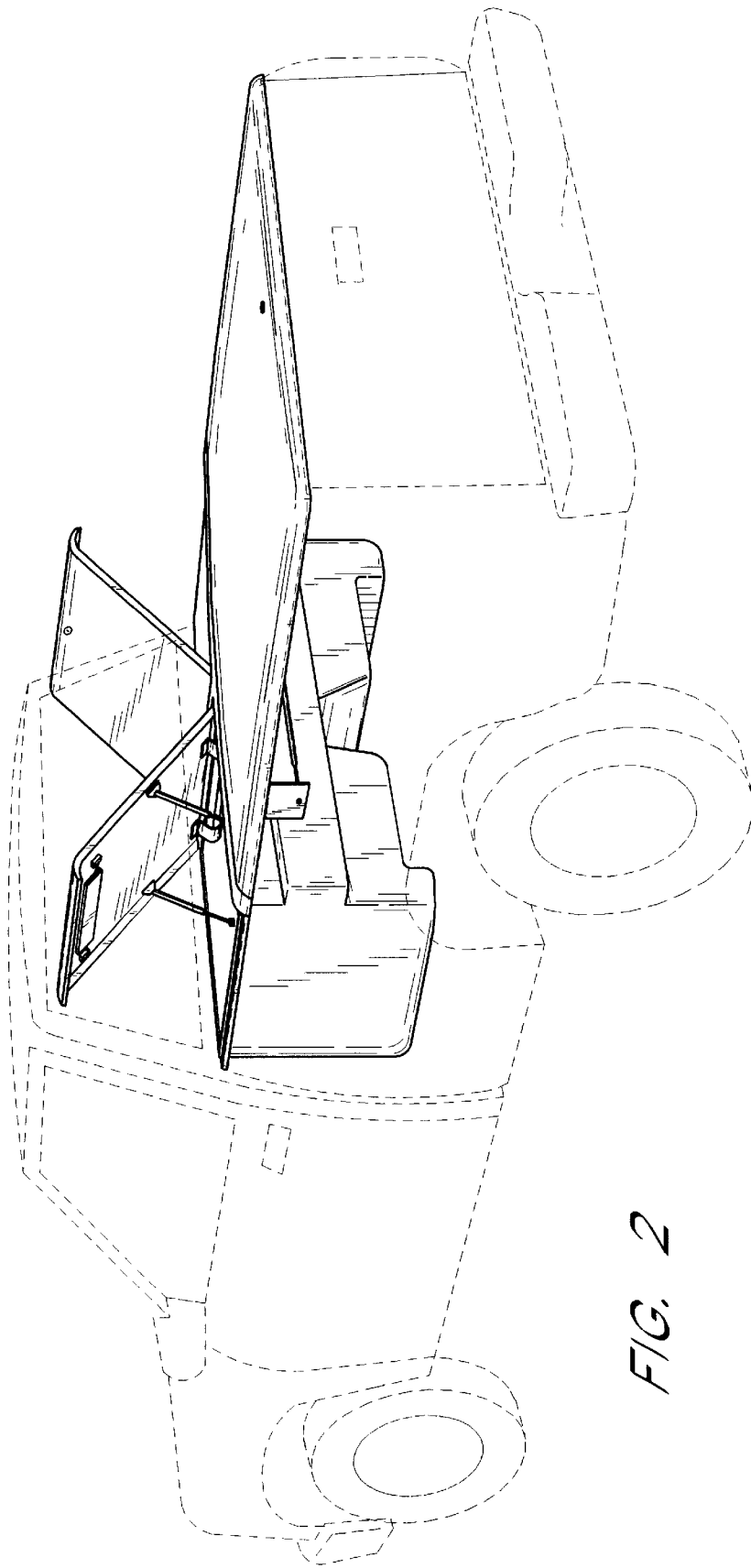


FIG. 2

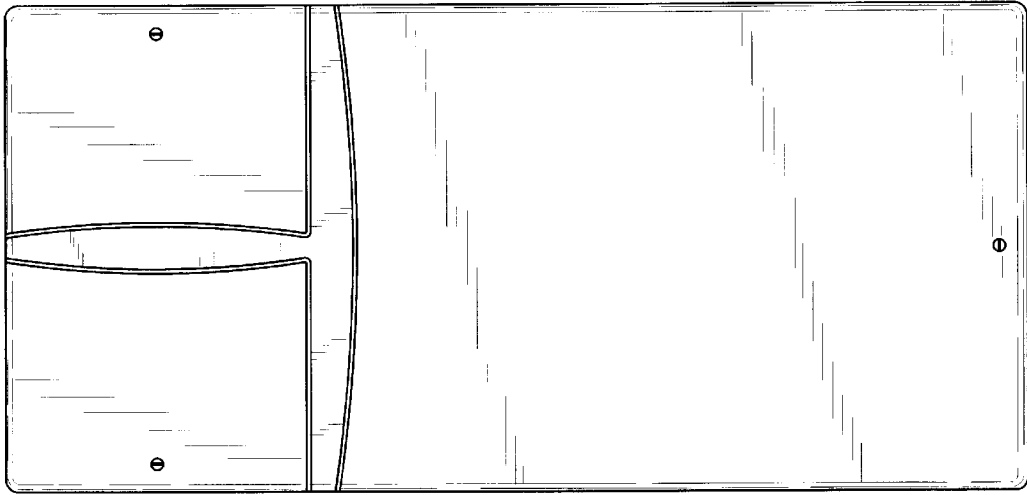


FIG. 3

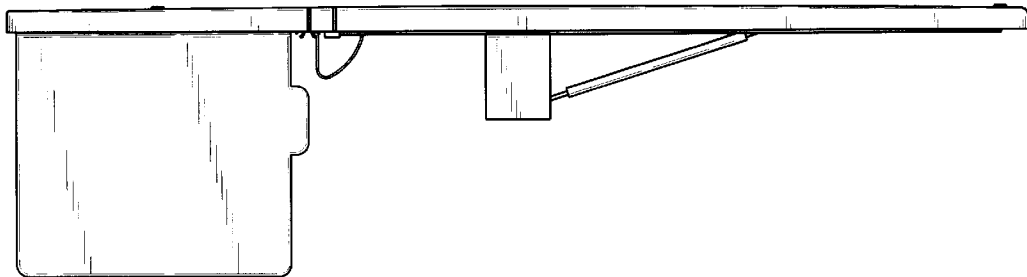


FIG. 4

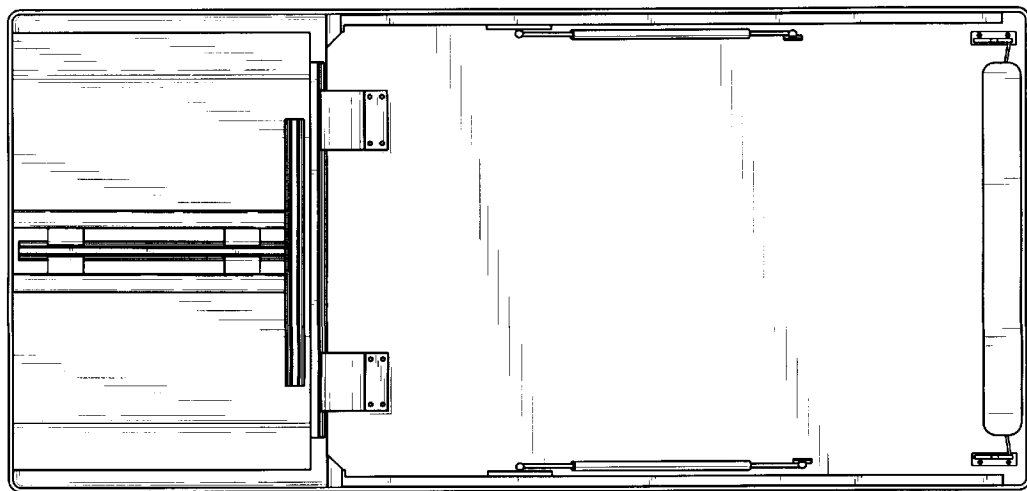
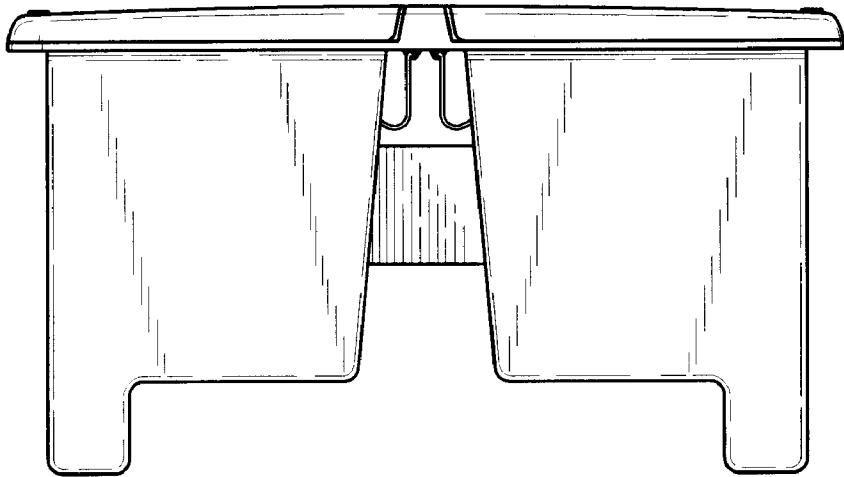
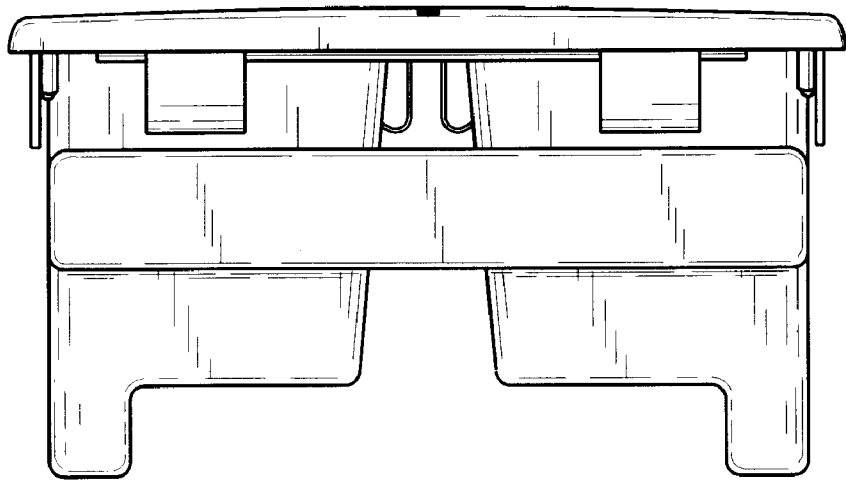


FIG. 5



*FIG. 6*



*FIG. 7*

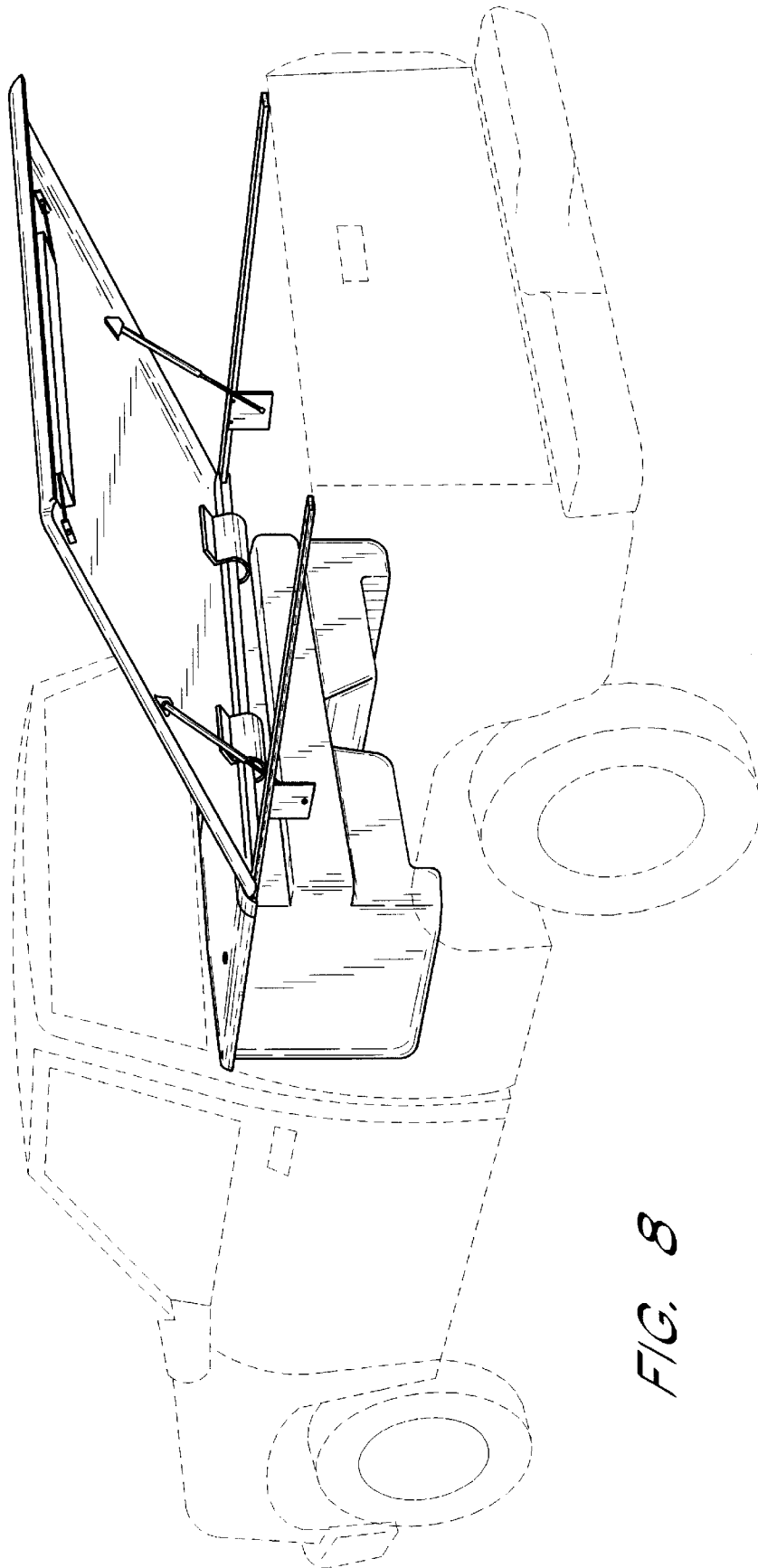


FIG. 8