



US00D375996S

United States Patent [19]

[11] Patent Number: **Des. 375,996**

Weatherman

[45] Date of Patent: ****Nov. 26, 1996**

[54] **FISHING ROD HOLDER WITH STRIKE SIGNAL**

5,058,308	10/1991	Girard	43/21.2 X
5,185,949	2/1993	Patterson	43/17
5,239,769	8/1993	Anderson	43/43.11

[76] Inventor: **Darold L. Weatherman**, 1603 Tenth St., #26, Nevada, Iowa 50201

Primary Examiner—Doris V. Coles

[**] Term: **14 Years**

[57] CLAIM

[21] Appl. No.: **27,839**

The ornamental design for a fishing rod holder with strike signal, as shown and described.

[22] Filed: **Aug. 30, 1994**

DESCRIPTION

[52] U.S. Cl. **D22/148; D22/147**

[58] **Field of Search** D22/148, 147; D26/67-70; 43/16, 17, 17.5, 21.2; 248/511, 514, 530, 533, 534, 538, 539, 540

FIG. 1 is a front and top perspective view of a fishing rod holder with strike signal showing my new design; FIG. 2 is a front elevational view thereof; FIG. 3 is a rear elevational view thereof; FIG. 4 is a top plan view thereof; FIG. 5 is a right side elevational view thereof, with the left side elevation being a mirror image; FIG. 6 is a bottom plan view thereof; FIG. 7 is a front and top perspective view of a second embodiment thereof; FIG. 8 is a front elevational view of the embodiment of FIG. 6; FIG. 9 is a bottom plan view of the embodiment of FIG. 6; FIG. 10 is a top plan view of the embodiment of FIG. 6; FIG. 11 is a right side elevational view of the embodiment of FIG. 6, with the left side elevational view being a mirror image; and, FIG. 12 is a rear elevational view of the embodiment of FIG. 6.

[56] References Cited

U.S. PATENT DOCUMENTS

D. 151,629	11/1948	Lamb et al.	D26/68
D. 282,389	1/1986	Hill	D22/148
D. 338,978	8/1993	Ewing et al.	D26/67
1,545,711	7/1925	Townsend	D26/68 X
3,076,557	2/1963	Husted et al.	D26/69 X
3,546,805	12/1970	Schaeffer	43/21.2
3,628,275	12/1971	Howard	43/17
3,874,107	4/1975	Wheaton	43/17
3,903,633	9/1975	Hutcherson	43/17
4,202,125	5/1980	Kovacs	43/17
4,581,838	4/1986	Moon	43/17
4,586,284	5/1986	Westwood, III	43/17
4,660,316	4/1987	Gamelin	43/17
5,025,583	6/1991	Langley	43/17

1 Claim, 8 Drawing Sheets

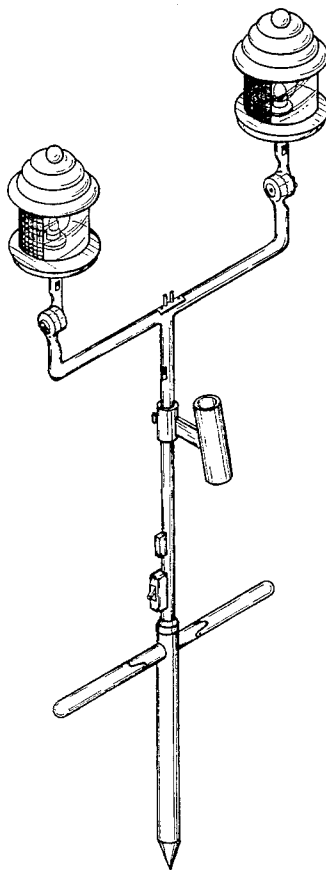
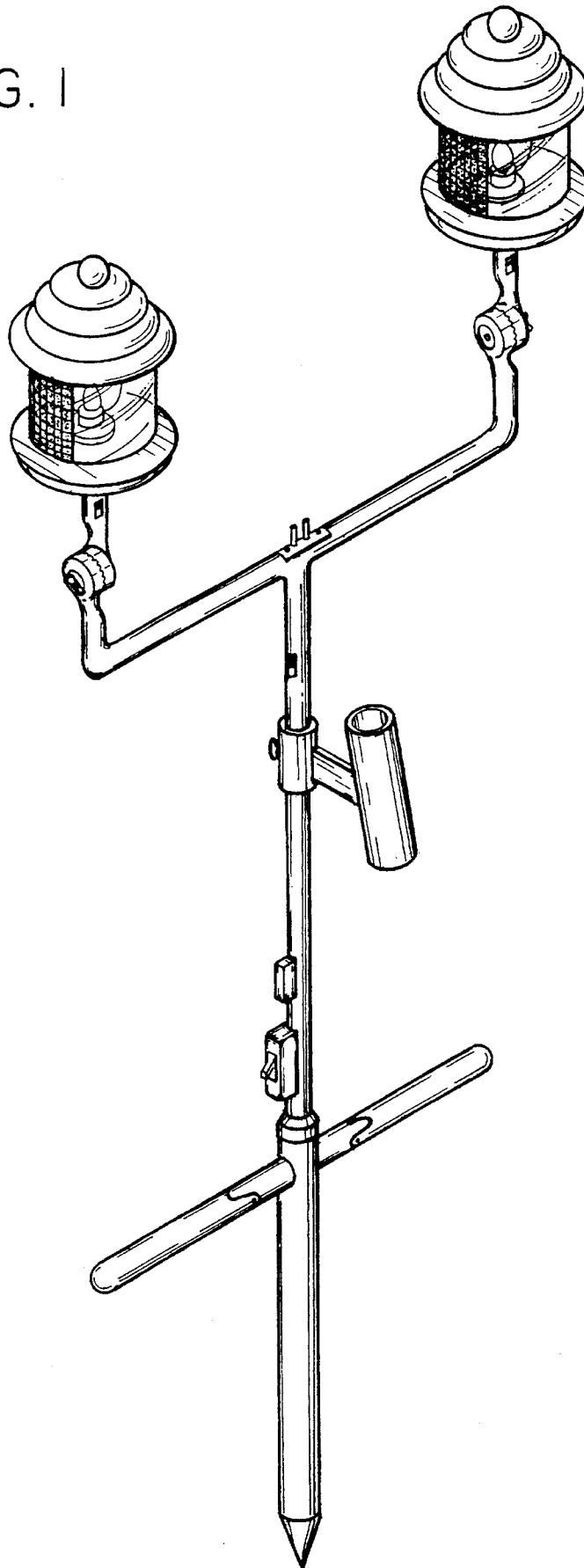


FIG. 1



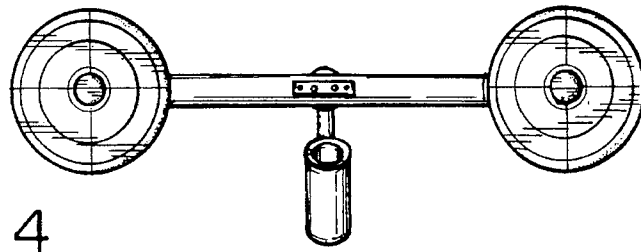


FIG. 4

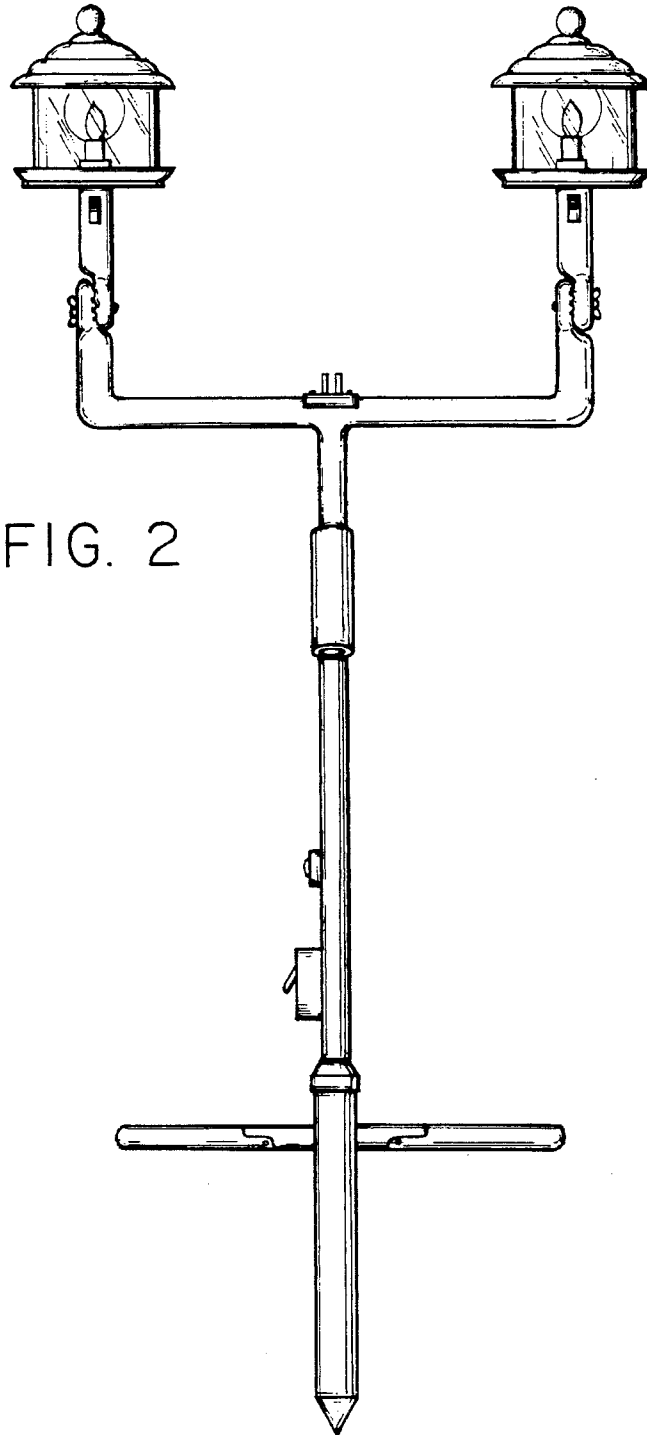
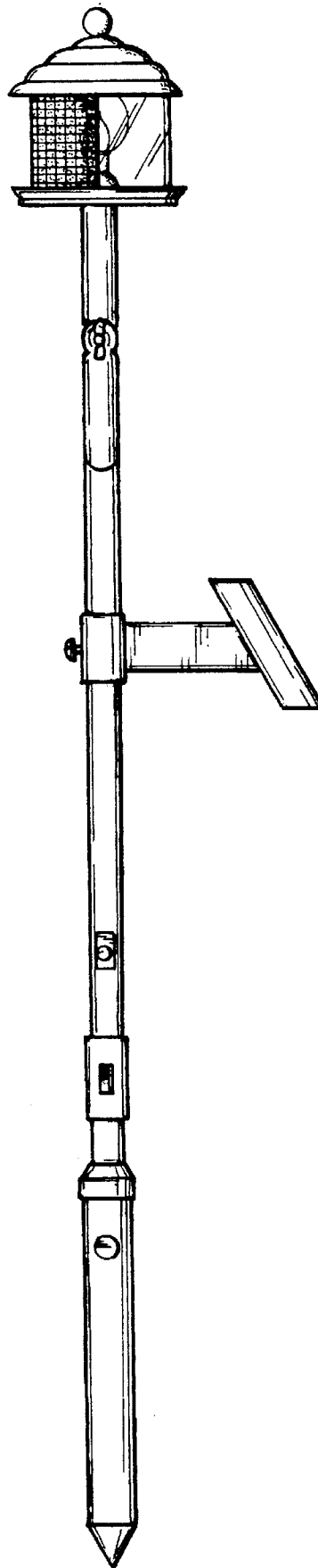


FIG. 2

FIG. 5



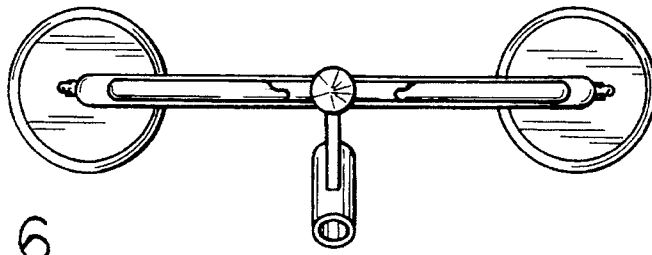


FIG. 6

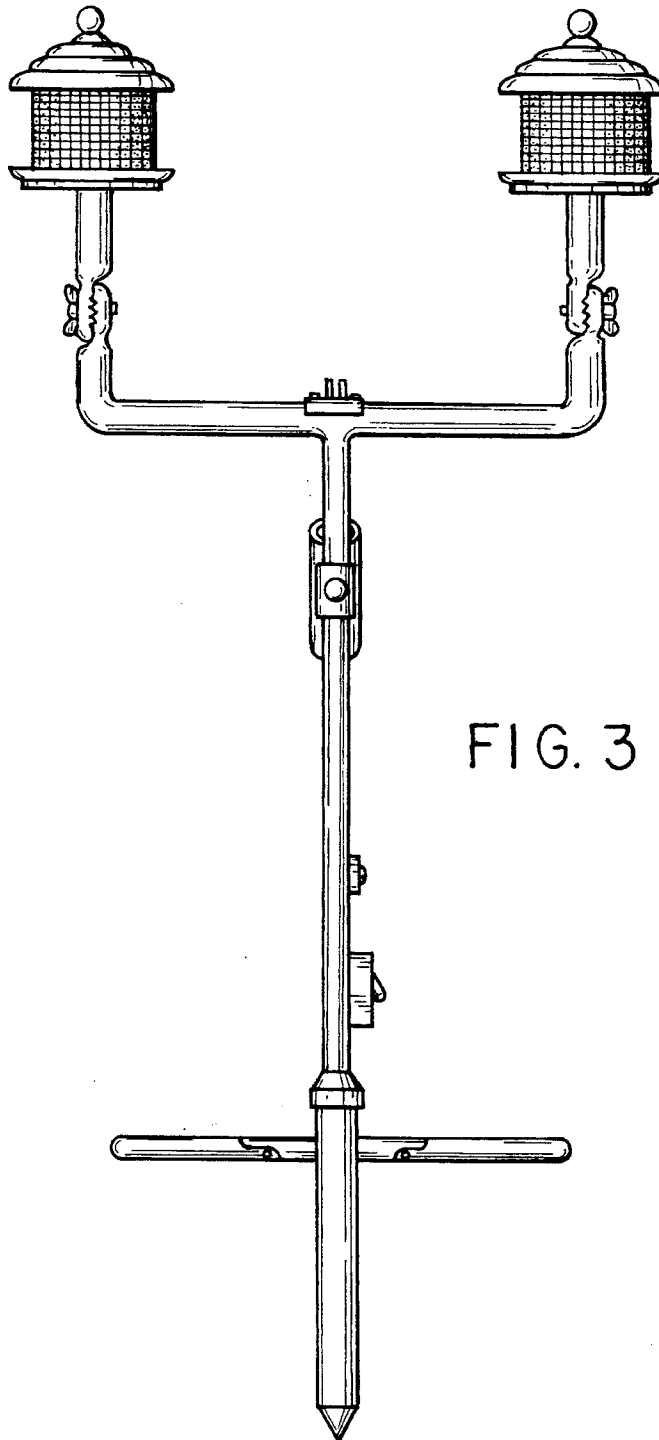
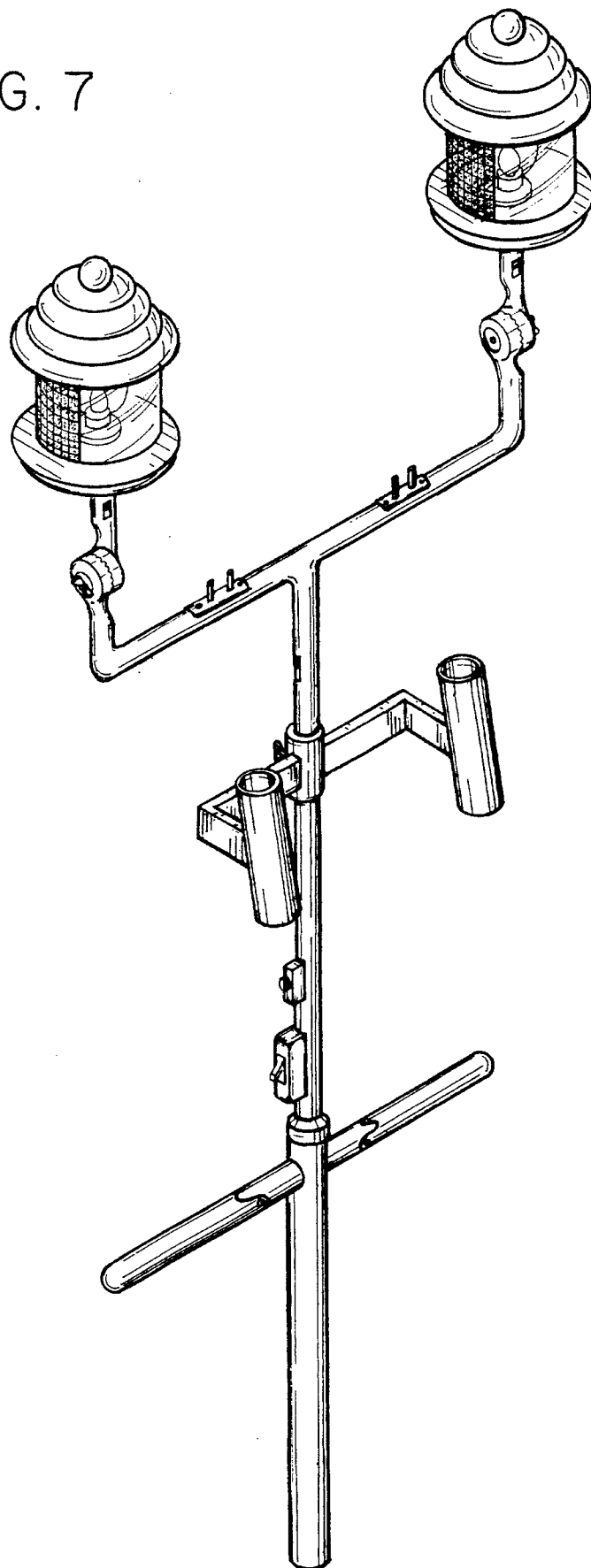


FIG. 3

FIG. 7



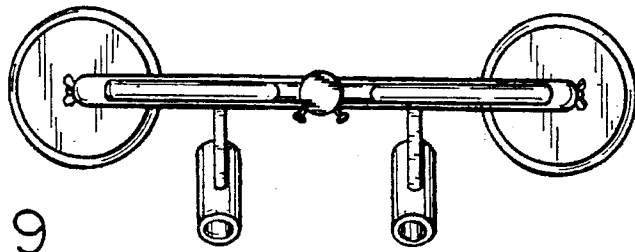


FIG. 9

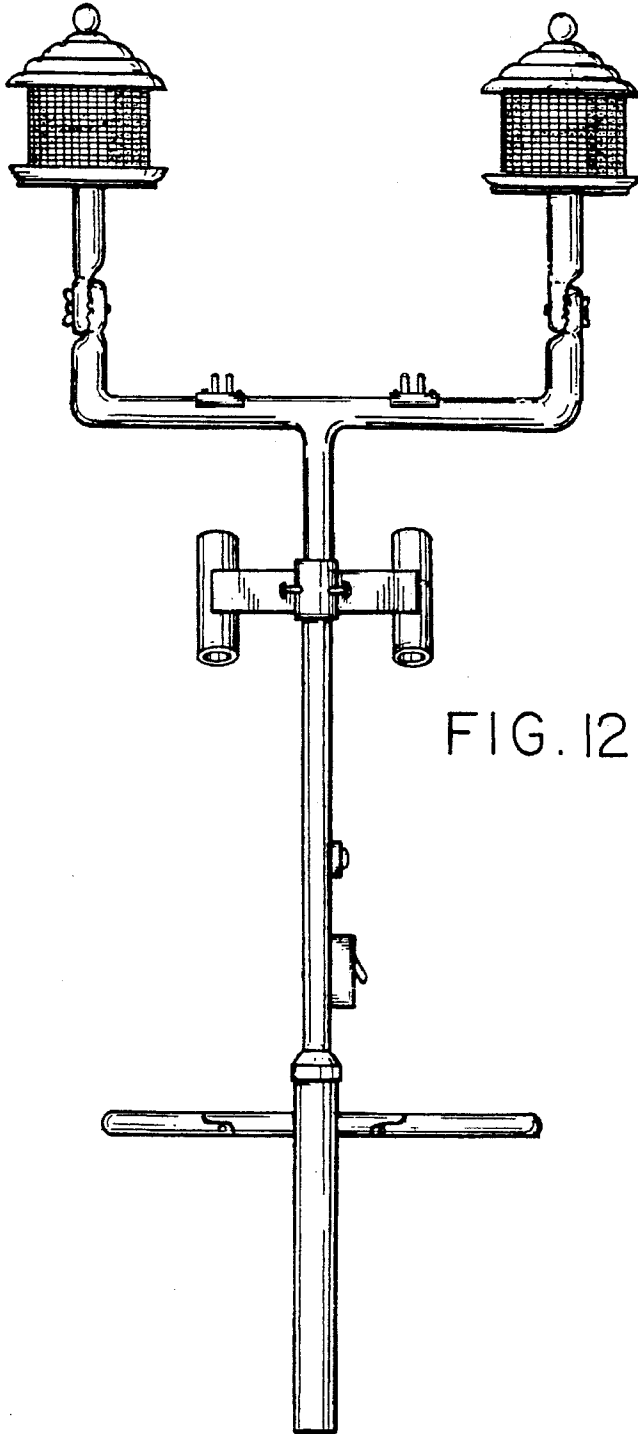


FIG. 12

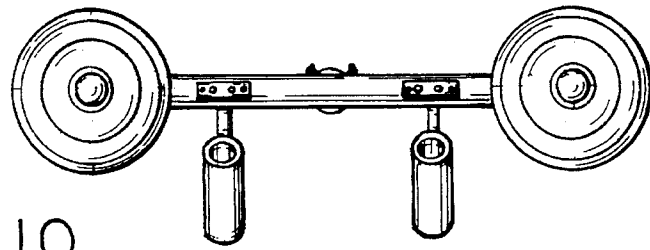


FIG. 10

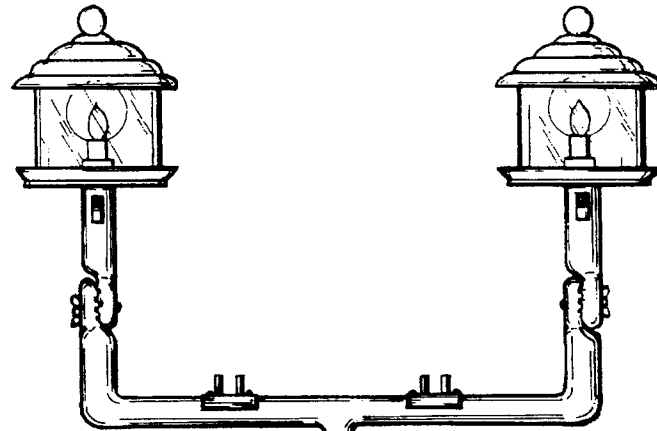


FIG. 8

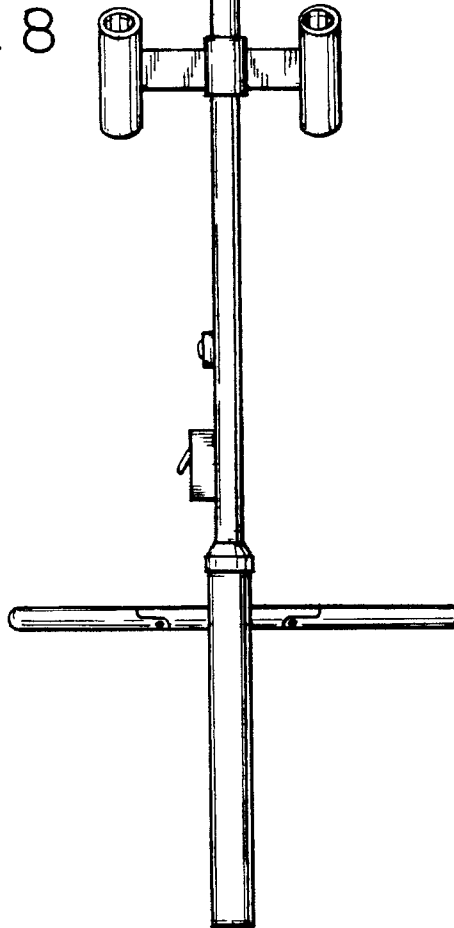


FIG. II

