



US00D483860S

(12) **United States Design Patent** (10) **Patent No.:** **US D483,860 S**  
**Knoch** (45) **Date of Patent:** **\*\* Dec. 16, 2003**

(54) **ELECTRONIC INHALER AND CONTROL UNIT**

*Primary Examiner*—Ian Simmons  
(74) *Attorney, Agent, or Firm*—McGuire Woods LLP

(75) **Inventor:** **Martin Knoch**, Starnberg (DE)

(57) **CLAIM**

(73) **Assignee:** **Pari GmbH Spezialisten fur Effektive Inhalation**, Starnberg (DE)

I claim the ornamental design for an electronic inhaler and control unit, as shown and described.

(\*\*) **Term:** **14 Years**

**DESCRIPTION**

(21) **Appl. No.:** **29/170,808**

FIG. 1 is a front elevation view of the electronic inhaler and control unit in accordance with an embodiment of the present invention;

(22) **Filed:** **Nov. 12, 2002**

FIG. 2 is a rear elevation view thereof;

(51) **LOC (7) Cl.** ..... **29-02**

FIG. 3 is a left side elevation view thereof;

(52) **U.S. Cl.** ..... **D24/110**

FIG. 4 is a right side elevation view thereof;

(58) **Field of Search** ..... D24/110, 164;  
128/203.27, 200.14, 200.16, 203.12, 204.21,  
200.23

FIG. 5 is a top plan view thereof;

FIG. 6 is a bottom plan view thereof;

(56) **References Cited**

**U.S. PATENT DOCUMENTS**

D259,954	S	*	7/1981	Reichl	.....	D24/110
D260,933	S	*	9/1981	Reichl	.....	D24/110
D266,701	S	*	10/1982	Marloth	.....	D24/110
5,551,416	A	*	9/1996	Stimpson et al.	.....	128/200.16
5,809,997	A	*	9/1998	Wolf	.....	128/200.23
2003/0062038	A1	*	4/2003	Tanaka et al.	.....	128/200.14
2003/0150445	A1	*	8/2003	Power et al.	.....	128/200.14

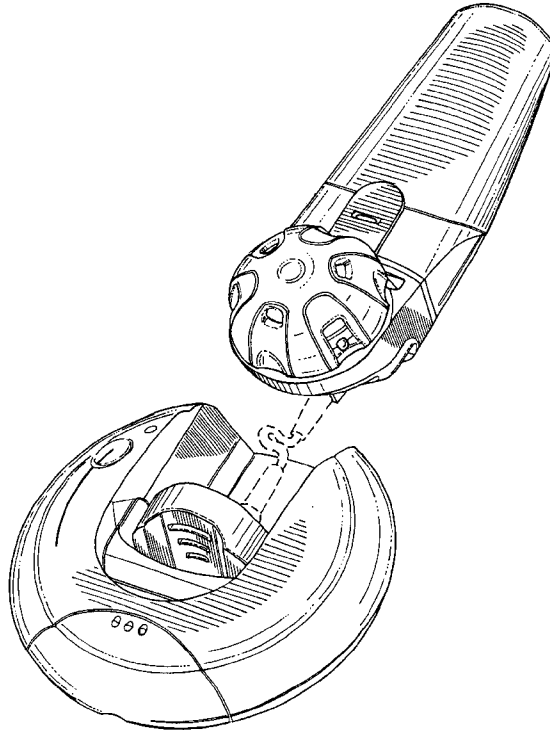
FIG. 7 is a top-rear perspective view thereof; and,

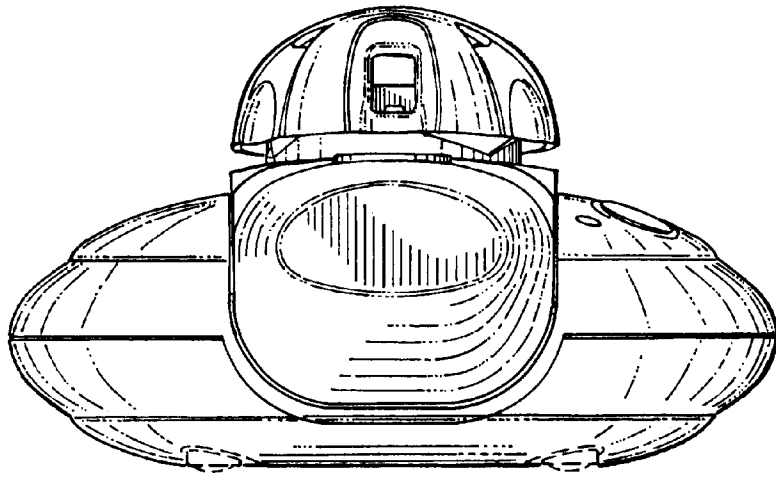
FIG. 8 is a top-rear perspective view depicting the control unit and the inhaler separated, it being understood that the cable attachment between the control unit and the underside of the inhaler forms no part of the claimed design.

The portions of these drawings shown in broken lines are for illustrative purposes only and form no part of the claimed design.

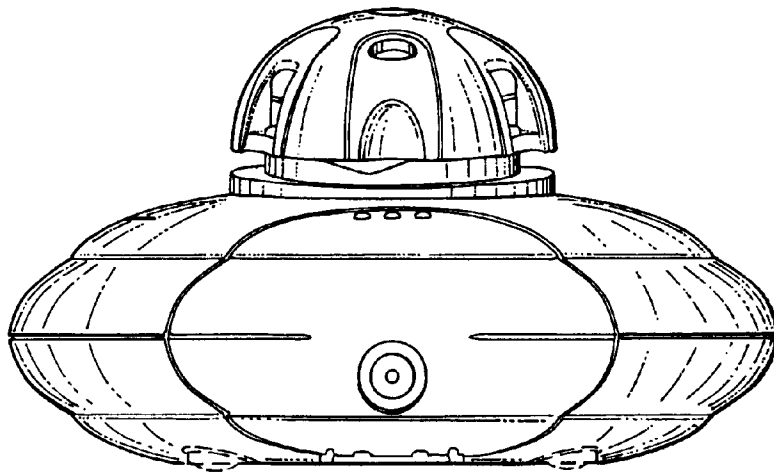
\* cited by examiner

**1 Claim, 5 Drawing Sheets**

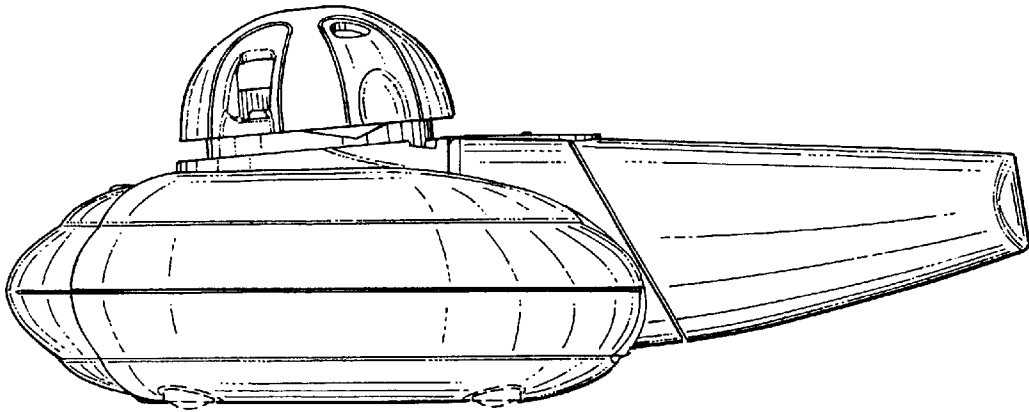




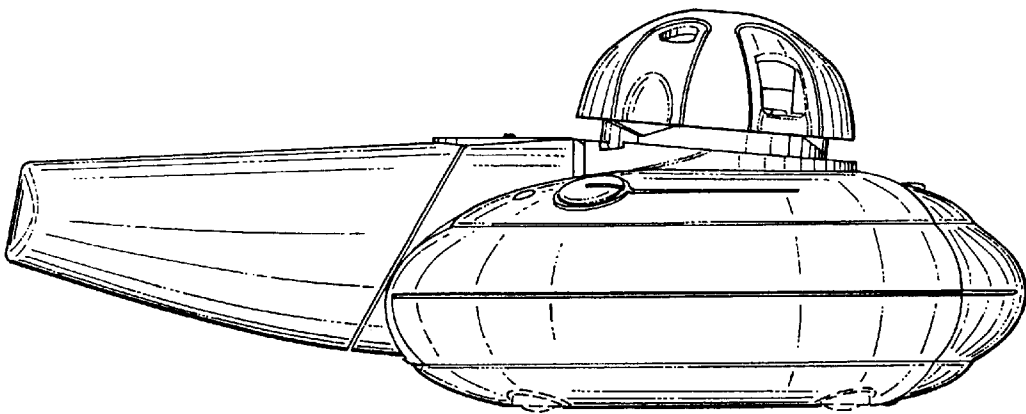
*Fig. 1*



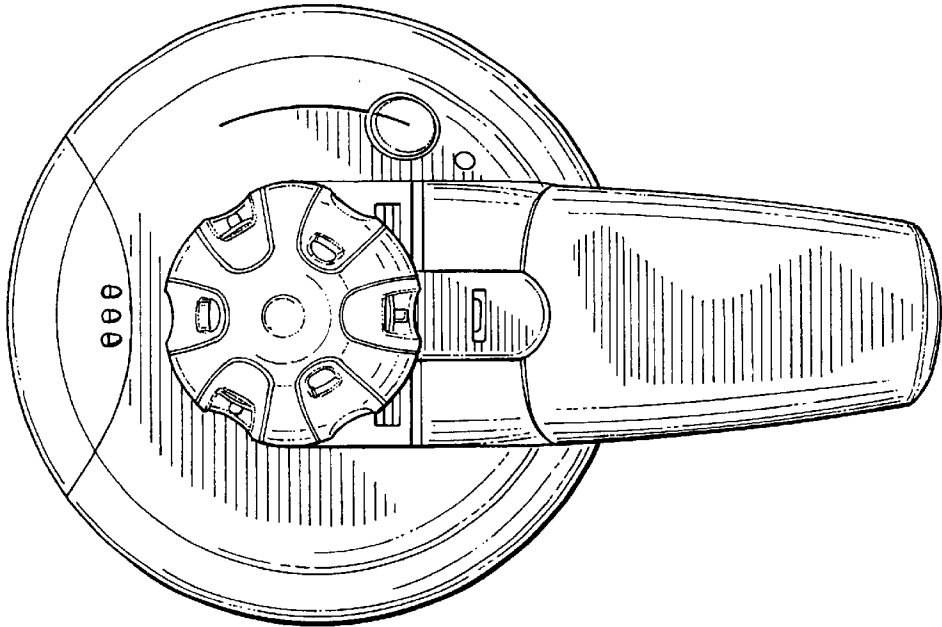
*Fig. 2*



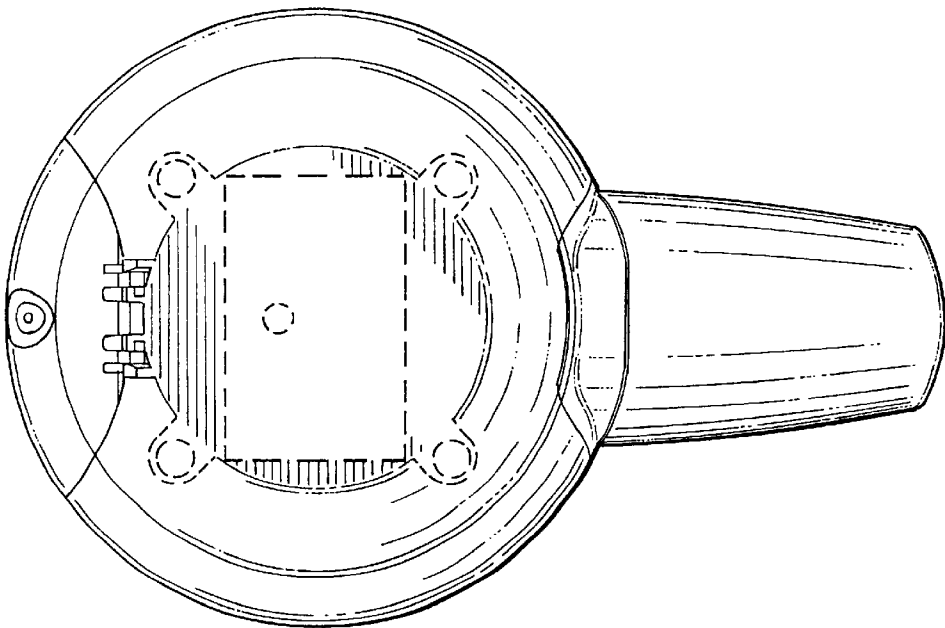
*Fig. 3*



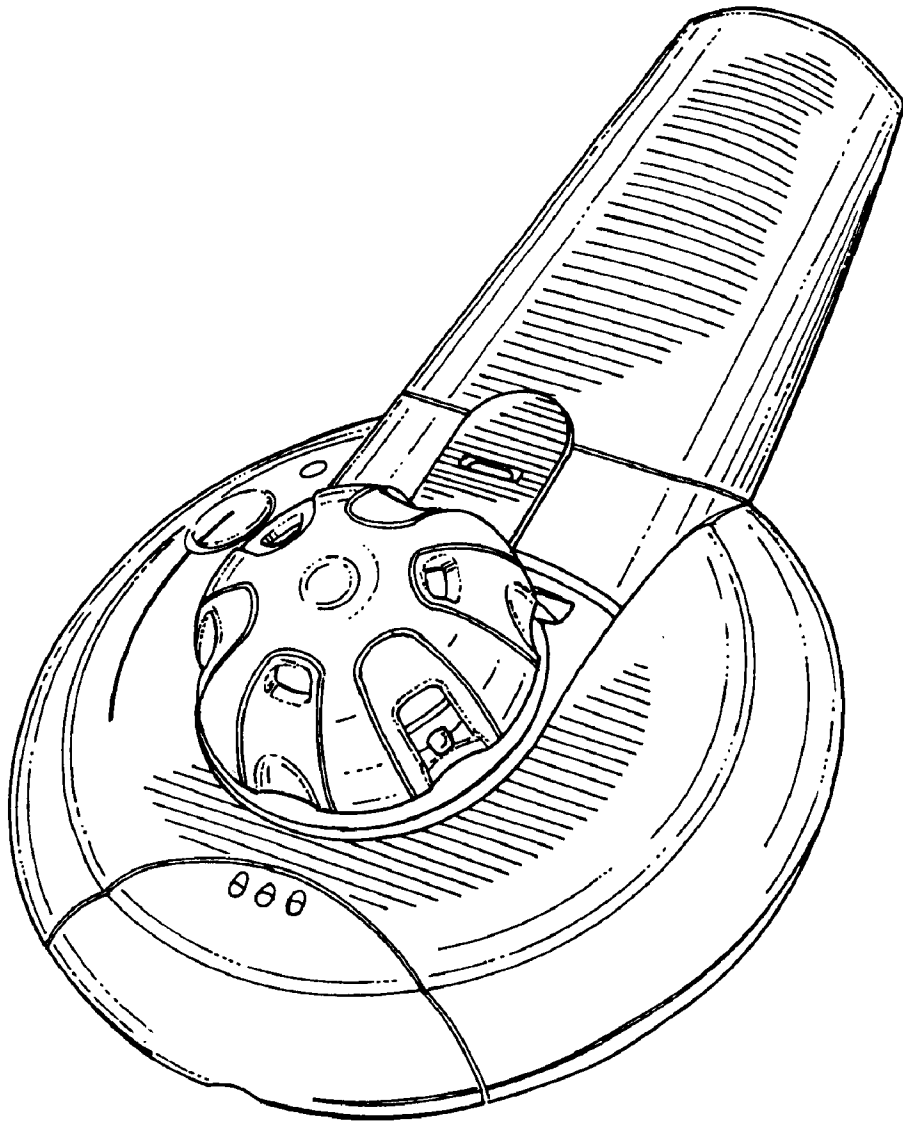
*Fig. 4*



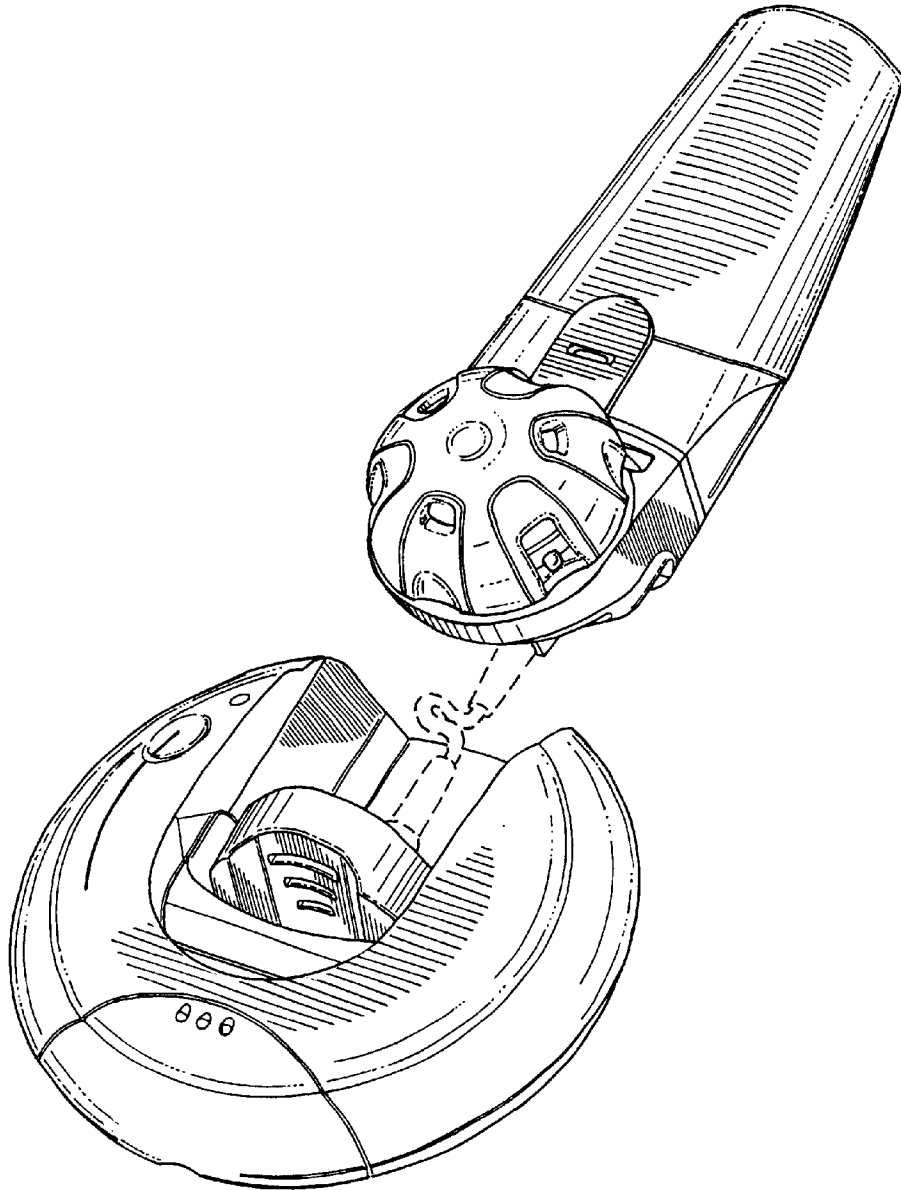
*Fig. 5*



*Fig. 6*



*Fig. 7*



*Fig. 8*