



(12) **United States Design Patent**
Bornholdt et al.

(10) **Patent No.:** **US D870,266 S**
(45) **Date of Patent:** **** Dec. 17, 2019**

- (54) **HEADGEAR FOR A PATIENT INTERFACE**
- (71) Applicant: **Fisher & Paykel Healthcare Limited**,
Auckland (NZ)
- (72) Inventors: **Melissa Catherine Bornholdt**,
Auckland (NZ); **Simon Mittermeier**,
Auckland (NZ); **Dana Willfroth**,
Auckland (NZ); **Bruce Michael Walls**,
Auckland (NZ)
- (73) Assignee: **Fisher & Paykel Healthcare Limited**,
Auckland (NZ)

(**) Term: **15 Years**

(21) Appl. No.: **29/602,682**

(22) Filed: **May 2, 2017**

(51) **LOC (12) Cl.** **29-02**

(52) **U.S. Cl.**

USPC **D24/110.1**

(58) **Field of Classification Search**

USPC D24/110.1–110.5, 127–128; D29/108,
D29/122

CPC A61M 16/0622; A61M 16/0616; A61M
16/0605; A61M 16/0644; A61M 16/0633;
A61M 16/06; A61M 16/0683

See application file for complete search history.

(56) **References Cited**

U.S. PATENT DOCUMENTS

D693,459	S *	11/2013	Prentice	D24/110.1
D695,887	S	12/2013	Ozolins et al.		
D706,413	S *	6/2014	Veliss	D24/110.1
D740,934	S	10/2015	Formica et al.		
D769,440	S	10/2016	Amarasinghe et al.		
9,539,403	B2	1/2017	Eves et al.		
D782,030	S *	3/2017	Prentice	D24/110.4
D782,655	S	3/2017	Blanch et al.		
D784,515	S *	4/2017	Prentice	D24/110.1

9,744,385	B2	8/2017	Henry et al.		
D797,277	S	9/2017	Blanch et al.		
D810,277	S	2/2018	Amarasinghe et al.		
D837,971	S *	1/2019	Prentice	D24/110.1
10,207,072	B2 *	2/2019	Dunn	A61M 16/0683
10,335,568	B2 *	7/2019	Amarasinghe	A61M 16/0666
2014/0096774	A1 *	4/2014	Olsen	A61M 16/06 128/205.25
2015/0000671	A1	1/2015	Frerichs et al.		
2016/0250436	A1 *	9/2016	Brown	A61M 16/0683 128/206.21

(Continued)

Primary Examiner — Lilyana Bekic

(74) *Attorney, Agent, or Firm* — Knobbe, Martens, Olson & Bear, LLP

(57) **CLAIM**

The ornamental design for a headgear for a patient interface, as shown and described.

DESCRIPTION

FIG. 1 is a front, top and right side perspective view of the headgear for a patient interface in a laid flat non-use configuration.

FIG. 2 is a rear view thereof.

FIG. 3 is a front view thereof.

FIG. 4 is a top view thereof.

FIG. 5 is a bottom view thereof.

FIG. 6 is a left side view thereof.

FIG. 7 is a right side view thereof.

FIG. 8 is a front, top and right side perspective view of the headgear for a patient interface of FIGS. 1 to 7 arranged in an in use configuration to wrap around a user's head.

FIG. 9 is a front view thereof.

FIG. 10 is a rear view thereof.

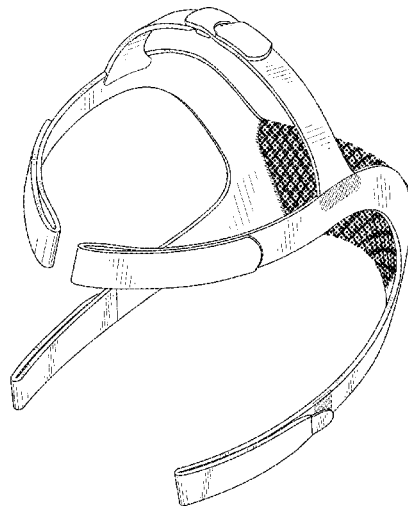
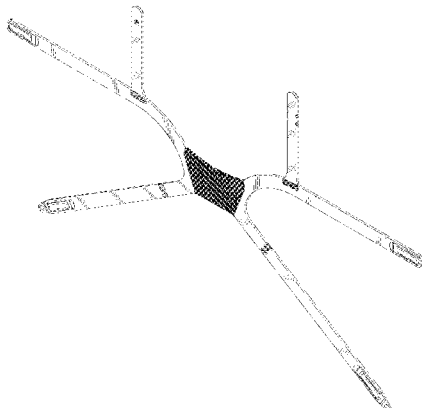
FIG. 11 is a top view thereof.

FIG. 12 is a bottom view thereof.

FIG. 13 is a left side view thereof; and,

FIG. 14 is a right side view thereof.

1 Claim, 14 Drawing Sheets



(56)

References Cited

U.S. PATENT DOCUMENTS

2016/0325067	A1	11/2016	Harwood et al.	
2016/0354572	A1*	12/2016	Lim	A61M 16/0616
2017/0065786	A1*	3/2017	Stephenson	A61M 16/06
2017/0157353	A1	6/2017	Olsen et al.	
2018/0008794	A1	1/2018	Salmon et al.	
2018/0036505	A1*	2/2018	Bornholdt	A61M 16/0683
2019/0143072	A1*	5/2019	Arrowsmith	A61M 16/208

* cited by examiner

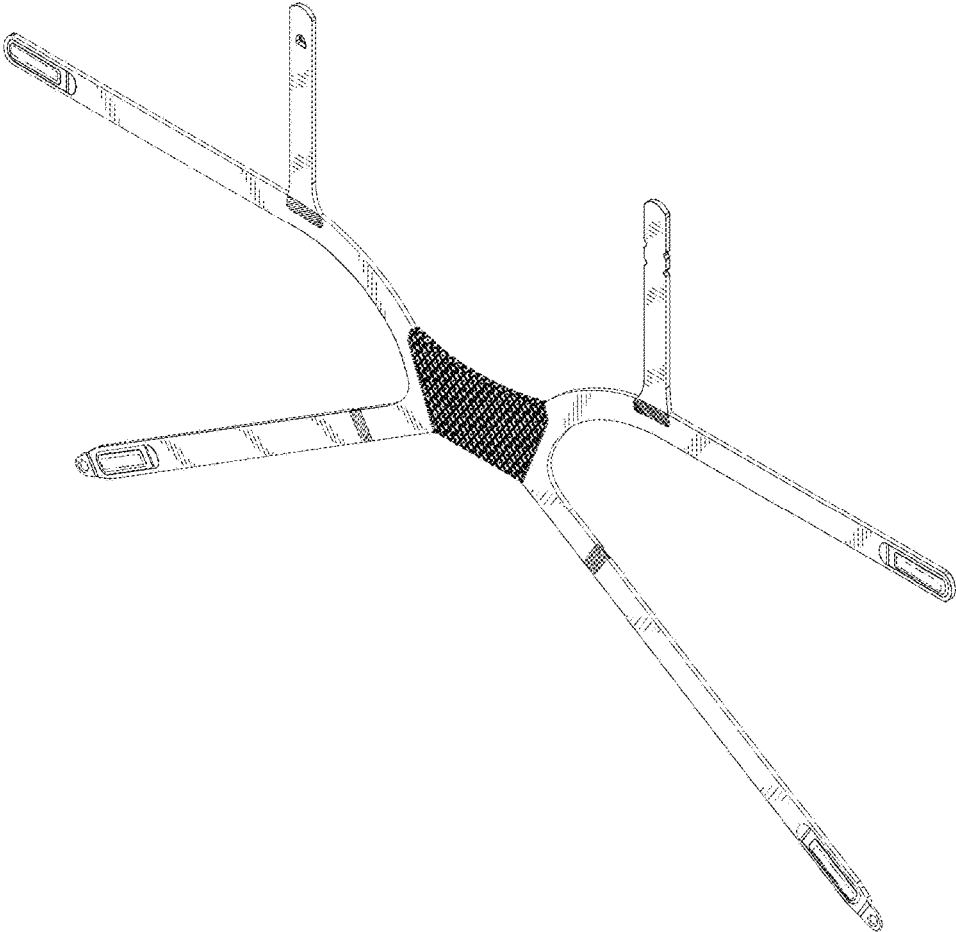


FIG. 1

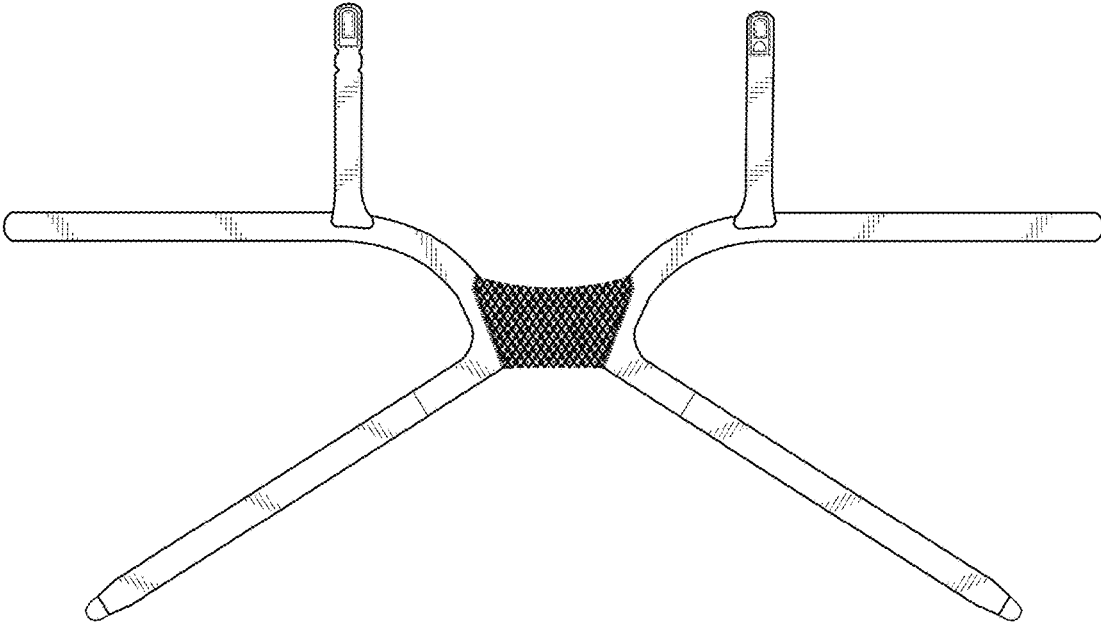


FIG. 2

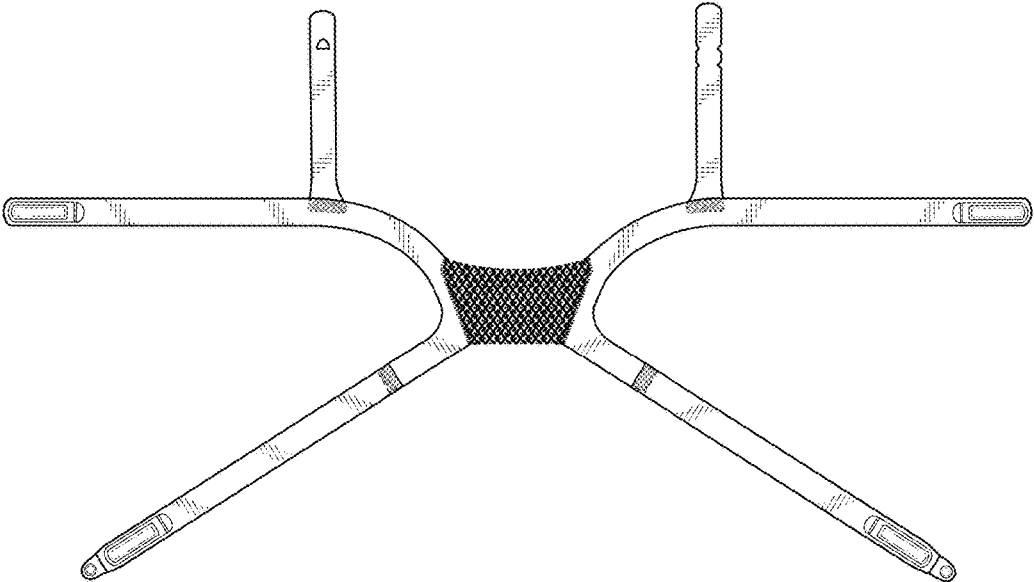


FIG. 3



FIG. 4



FIG. 5



FIG. 6



FIG. 7

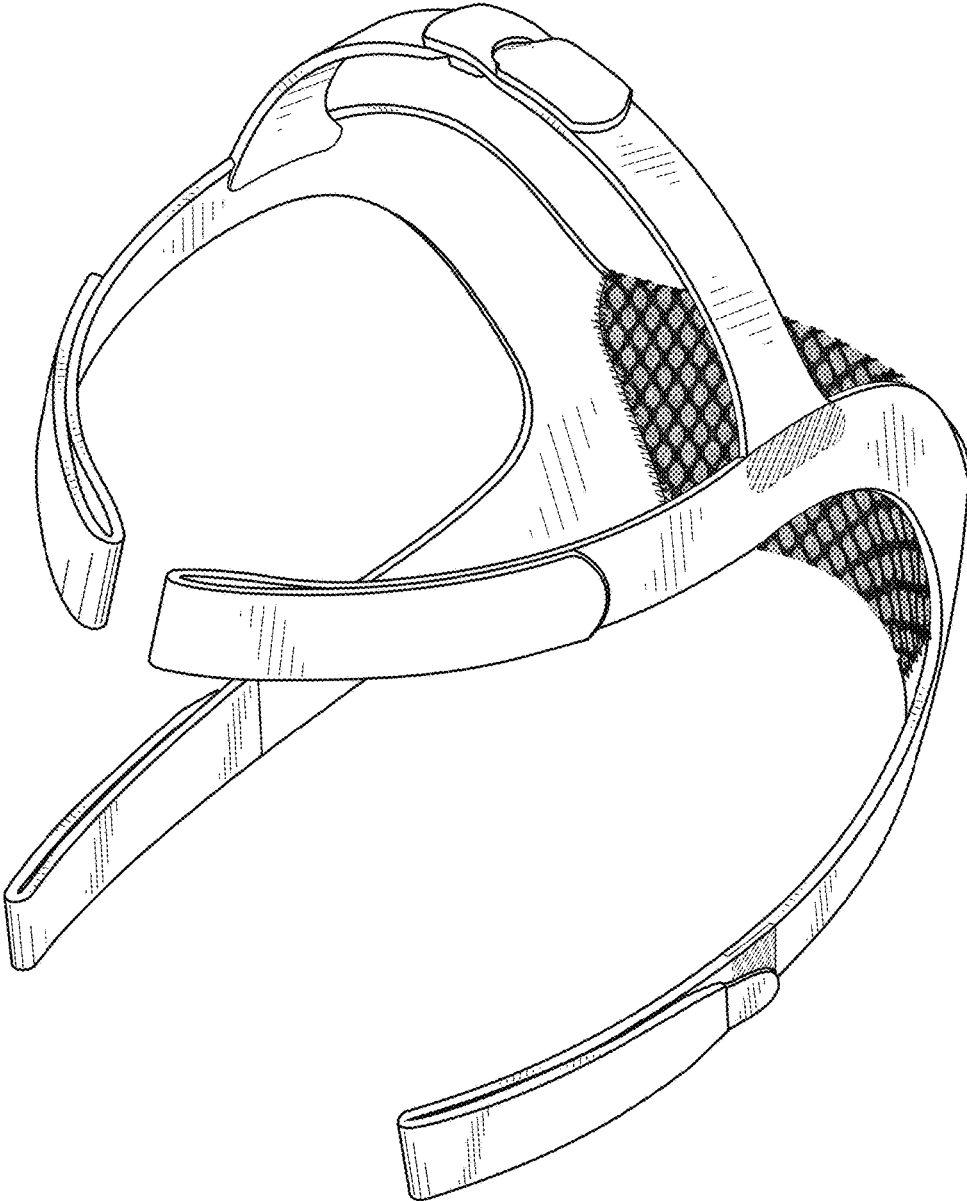


FIG. 8

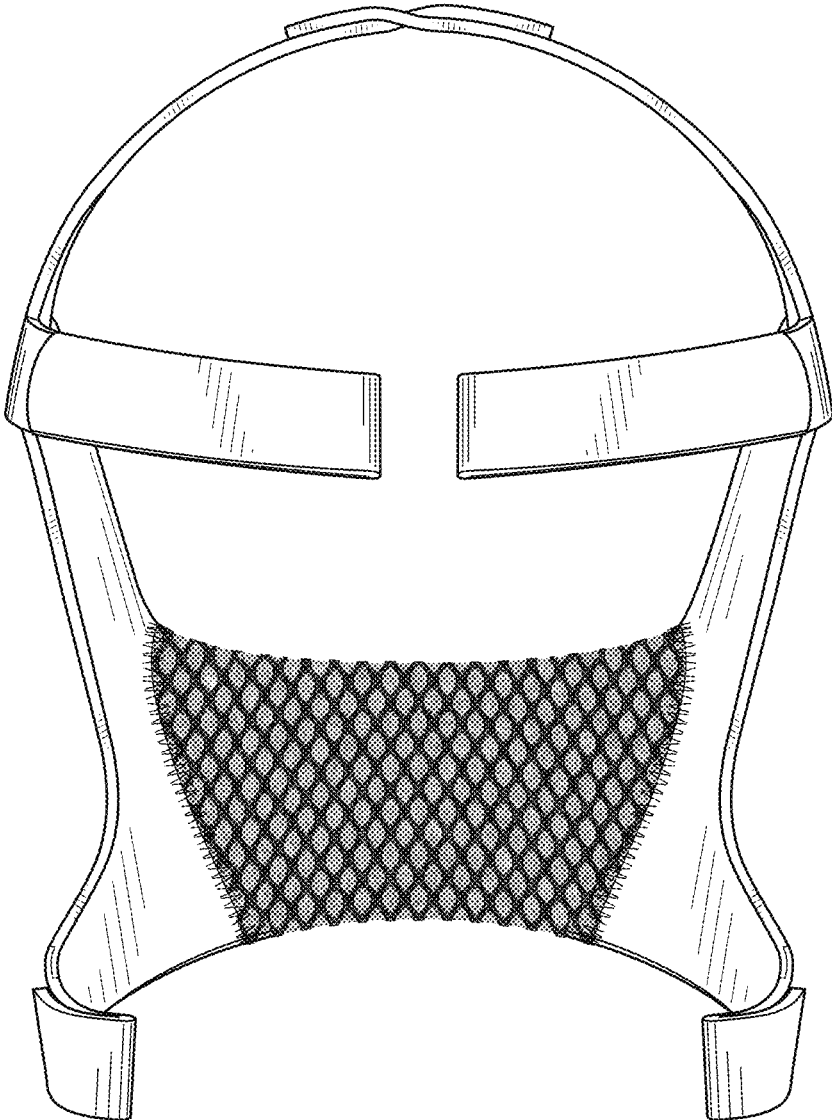


FIG. 9

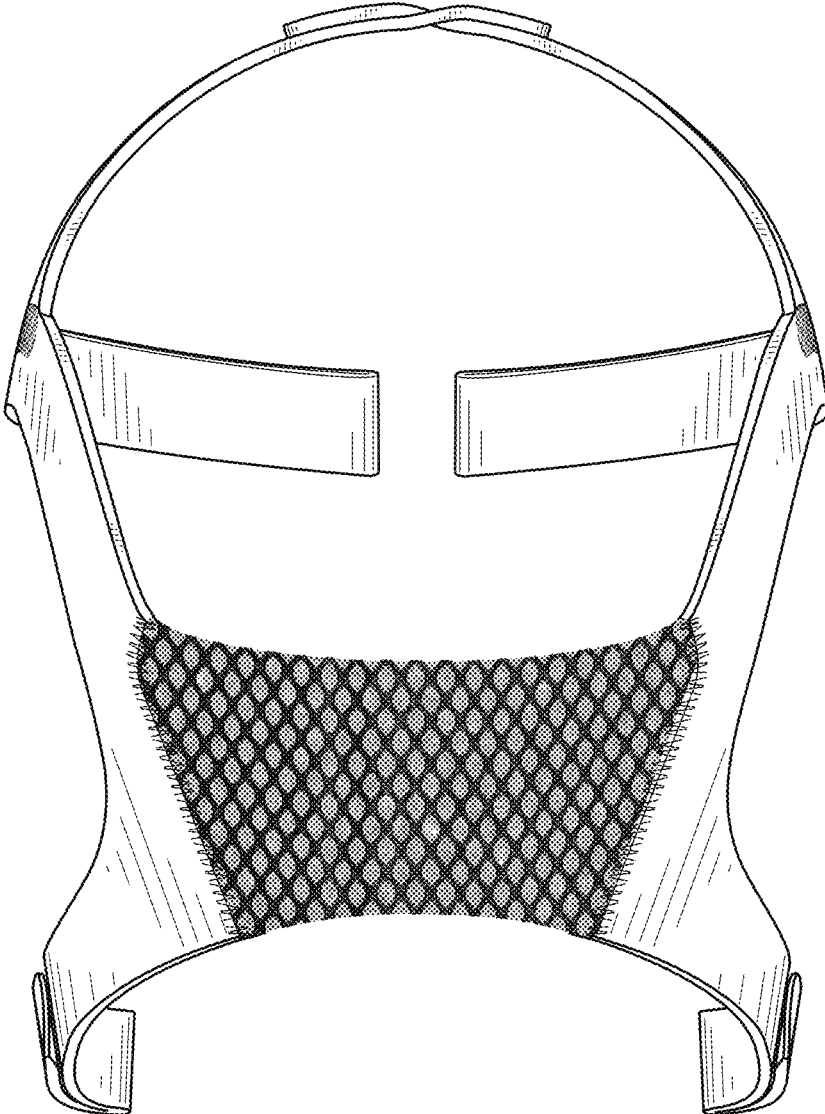


FIG. 10

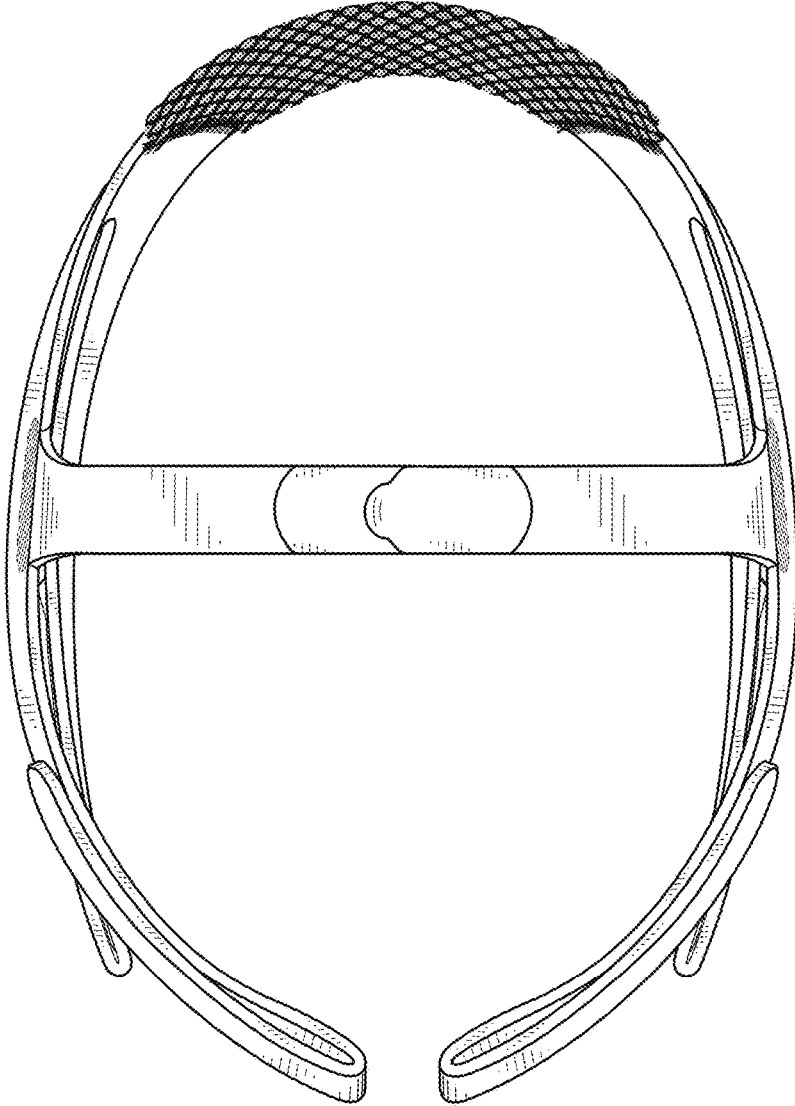


FIG. 11

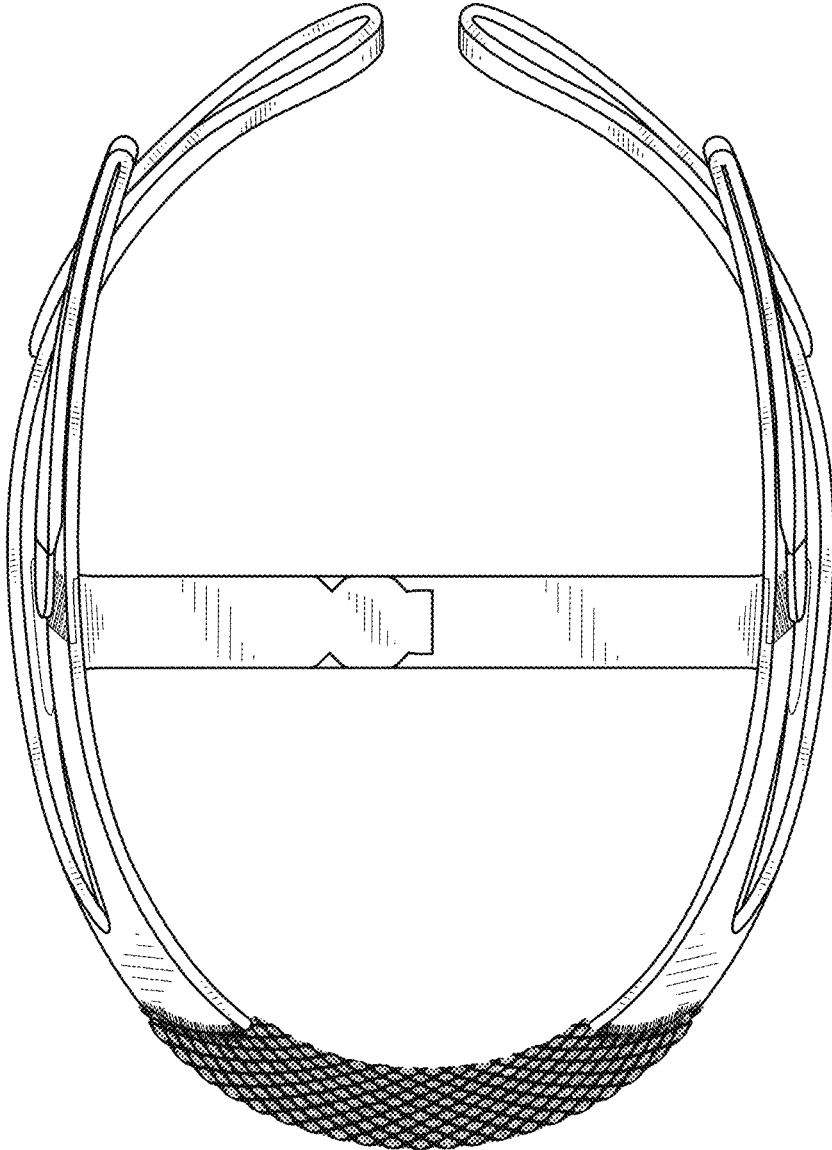


FIG. 12

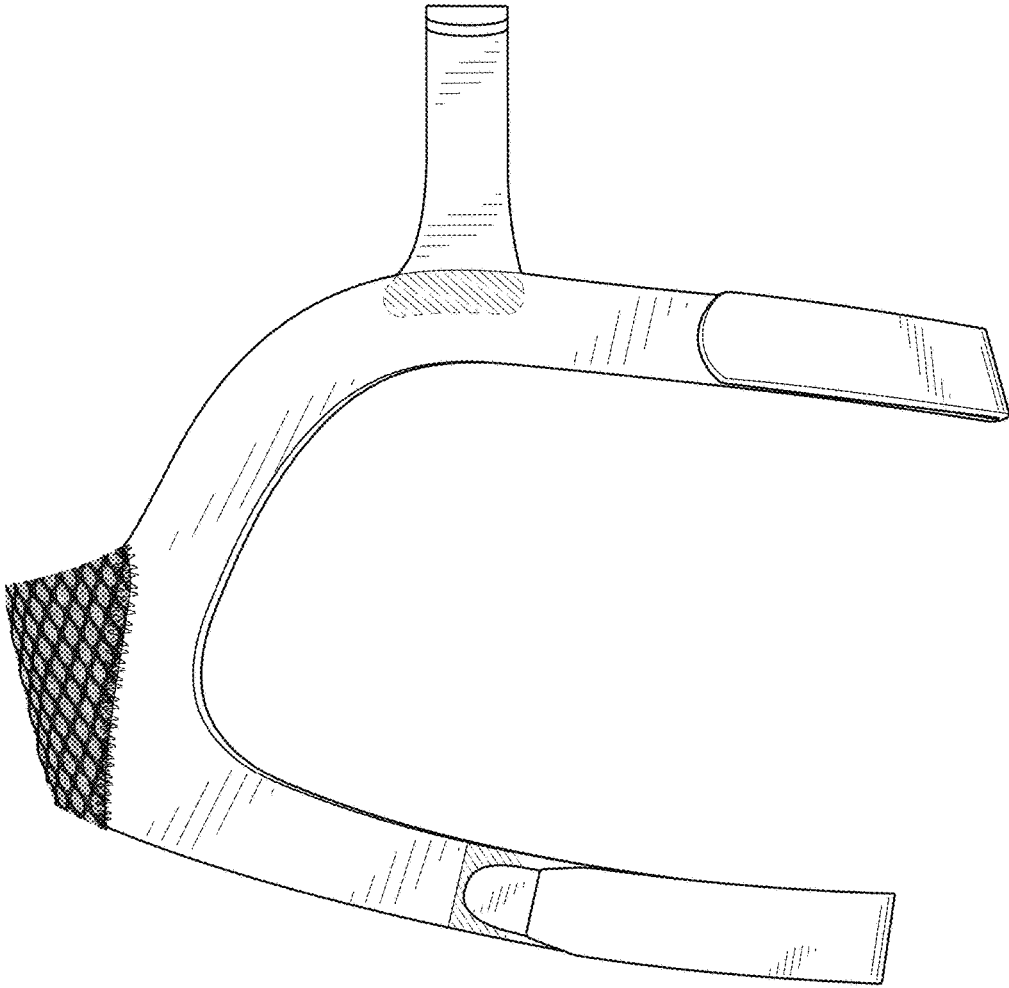


FIG. 13

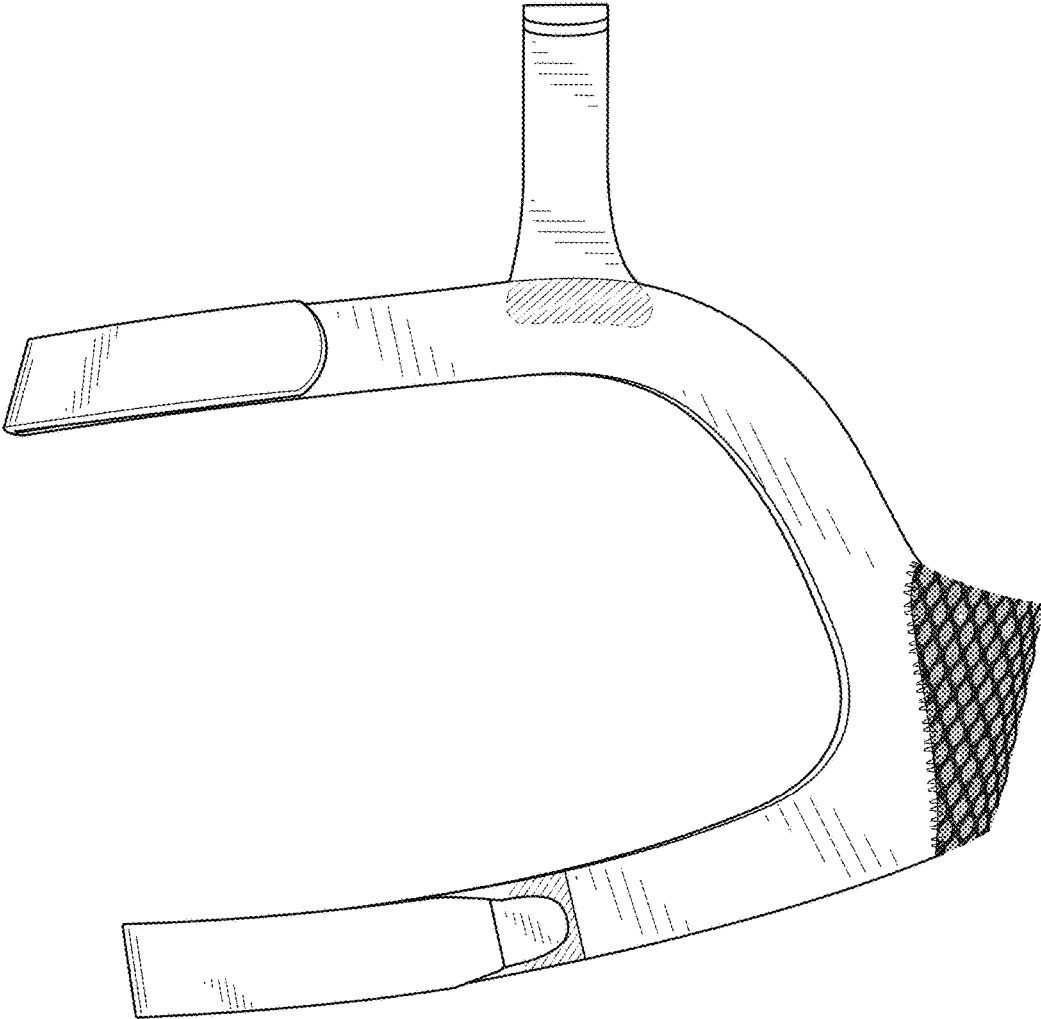


FIG. 14