

(12) **United States Design Patent** (10) **Patent No.:** **US D892,412 S**  
**Guo** (45) **Date of Patent:** **\*\* Aug. 4, 2020**

(54) **DOG CUP**  
 (71) Applicant: **Zehang Guo**, Shantou (CN)  
 (72) Inventor: **Zehang Guo**, Shantou (CN)  
 (\*\*) Term: **15 Years**  
 (21) Appl. No.: **29/674,715**  
 (22) Filed: **Dec. 24, 2018**  
 (51) **LOC (12) Cl.** ..... **30-07**  
 (52) **U.S. Cl.**  
 USPC ..... **D30/121; D30/132**  
 (58) **Field of Classification Search**  
 USPC ..... D30/121, 122, 129-133; D3/202;  
                   D9/435, 440, 443, 516, 522, 528, 531,  
                   D9/545, 549, 564, 715, 716, 719  
 CPC ..... A01K 5/00; A01K 9/00; A01K 5/0114;  
                   A01K 5/0121; A01K 5/0135; A01K  
                   7/005; A01K 7/00; A01K 39/04; A01K  
   39/0213  
 See application file for complete search history.

(56) **References Cited**

**U.S. PATENT DOCUMENTS**

D850,017 S *	5/2019	Brucato	.....	D30/132
D861,258 S *	9/2019	Liang	.....	D30/132
D863,694 S *	10/2019	Pan	.....	D30/132
2015/0298867 A1 *	10/2015	Sanderson	.....	A01K 7/00 215/6
2017/0127859 A1 *	5/2017	Hornung	.....	A45F 3/18
2018/0178969 A1 *	6/2018	Perlowitz	.....	A01K 5/00

**OTHER PUBLICATIONS**

“UPSKY Dog Water Bottle Portable Pet Water Bottle” available Sep. 30, 2019, [online], [site visited Oct. 23, 2019]. Retrieved from Internet, URL: [https://www.amazon.com/UPSKY-Portable-Activated-Dispenser-Lightweight/product-reviews/B07QKS7MM6/ref=cm\\_cr\\_getr\\_d\\_paging\\_btm\\_next\\_12](https://www.amazon.com/UPSKY-Portable-Activated-Dispenser-Lightweight/product-reviews/B07QKS7MM6/ref=cm_cr_getr_d_paging_btm_next_12) (Year: 2019).\*

“M&MKPET Dog Water Bottle” available May 2, 2018, [online], [site visited Oct. 23, 2019]. Retrieved from Internet, URL: [https://www.amazon.com/MKPET-Walking-Portable-Dispenser-Silicone/product-reviews/B07BVMJBPR/ref=cm\\_cr\\_getr\\_d\\_paging\\_btm\\_next\\_82](https://www.amazon.com/MKPET-Walking-Portable-Dispenser-Silicone/product-reviews/B07BVMJBPR/ref=cm_cr_getr_d_paging_btm_next_82) (Year: 2018).\*

“Quick Deal Box” available Apr. 10, 2018, [online], [site visited Oct. 23, 2019]. Retrieved from Internet, URL: <https://www.youtube.com/watch?v=v-uJqNpm8Gw> (Year: 2018).\*

“Glory Collections” available Jun. 25, 2018, [online], [site visited Oct. 23, 2019]. Retrieved from Internet, URL: <https://www.youtube.com/watch?v=yzRo794mrok> (Year: 2018).\*

“Dog Water Bottle” available Aug. 13, 2018, [online], [site visited Oct. 23, 2019]. Retrieved from Internet, URL: [https://www.amazon.com/Bottle-Dispenser-Antibacterial-Outdoor-Drinking/product-reviews/B07D6CC1RF/ref=cm\\_cr\\_getr\\_d\\_paging\\_btm\\_next\\_2](https://www.amazon.com/Bottle-Dispenser-Antibacterial-Outdoor-Drinking/product-reviews/B07D6CC1RF/ref=cm_cr_getr_d_paging_btm_next_2) (Year: 2018).\*

\* cited by examiner

*Primary Examiner* — Michael C Stout  
*Assistant Examiner* — Katrina N Gonzalez  
 (74) *Attorney, Agent, or Firm* — Law Offices of Steven W. Weinrieb

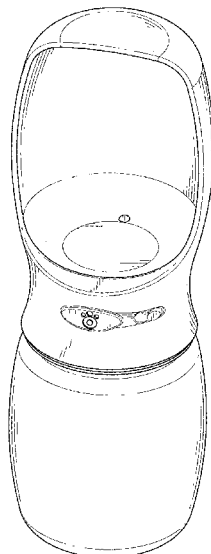
(57) **CLAIM**

The ornamental design for a dog cup, as shown and described.

**DESCRIPTION**

FIG. 1 is a front, right side, top perspective view of the dog cup showing my new design;  
 FIG. 2 is a rear, left side, bottom perspective view thereof;  
 FIG. 3 is a front elevational view thereof;  
 FIG. 4 is a rear elevational view thereof;  
 FIG. 5 is a left side elevational view thereof;  
 FIG. 6 is a right side elevational view thereof;  
 FIG. 7 is a top plan view thereof; and,  
 FIG. 8 is a bottom plan view thereof.  
 The broken lines illustrate environmental structure that forms no part of the claimed design.

**1 Claim, 8 Drawing Sheets**



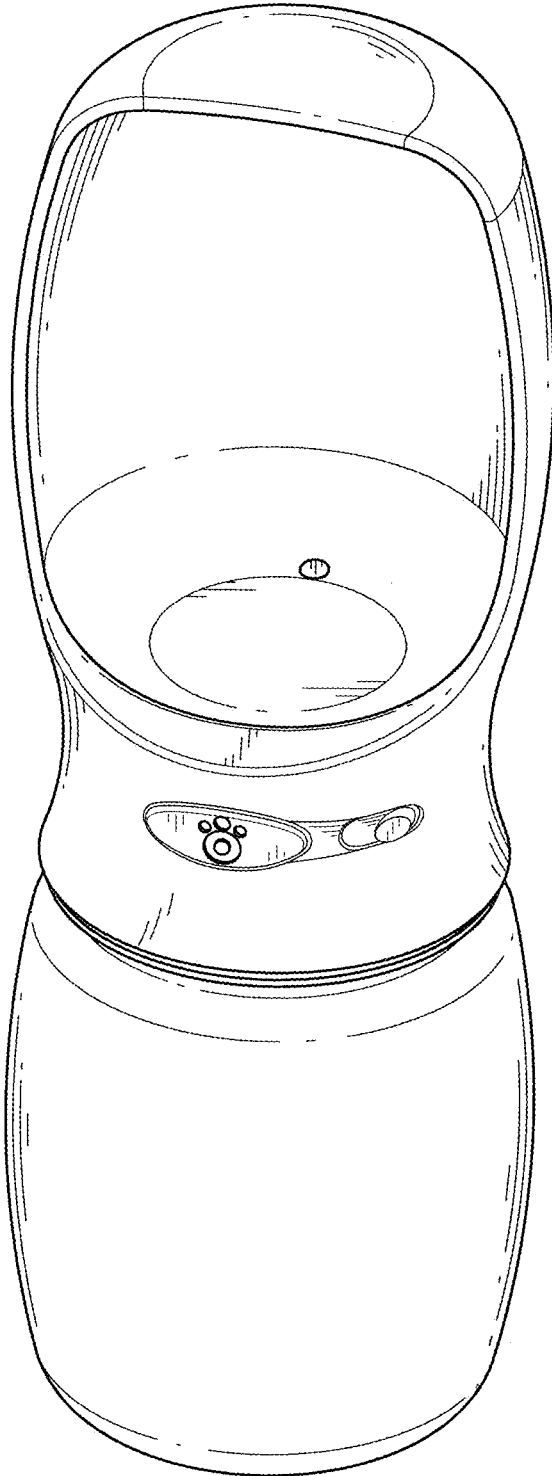


FIG. 1

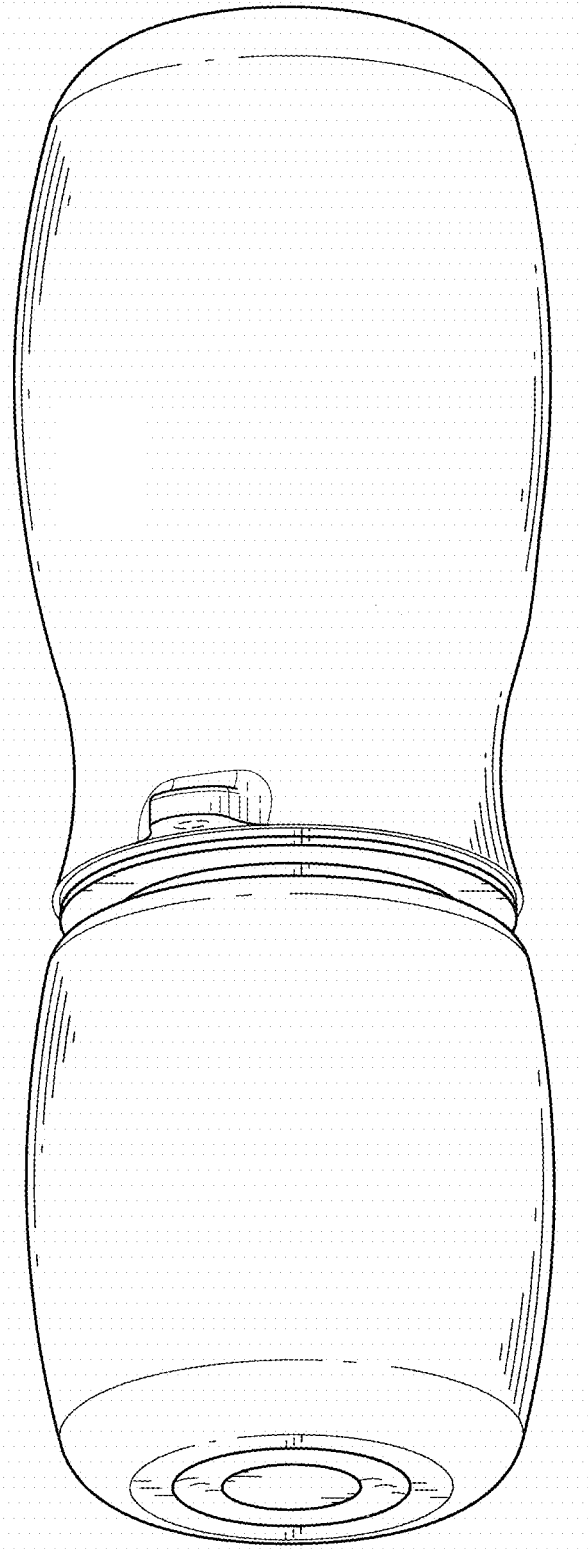


FIG. 2

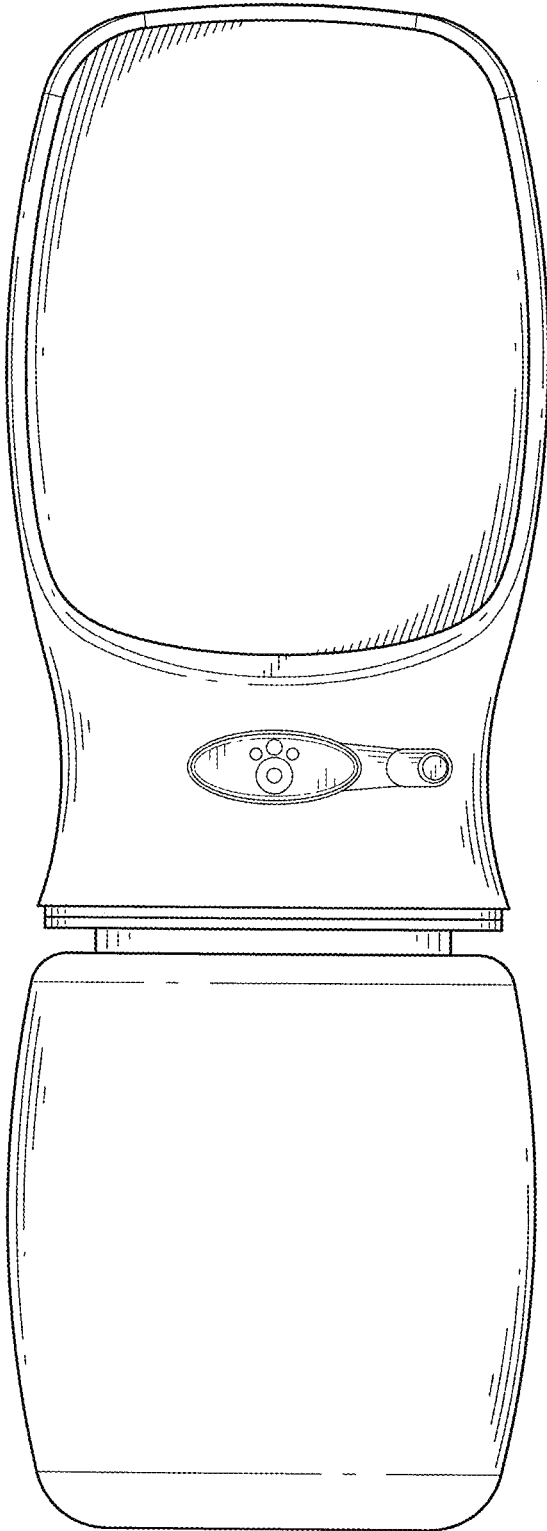


FIG. 3

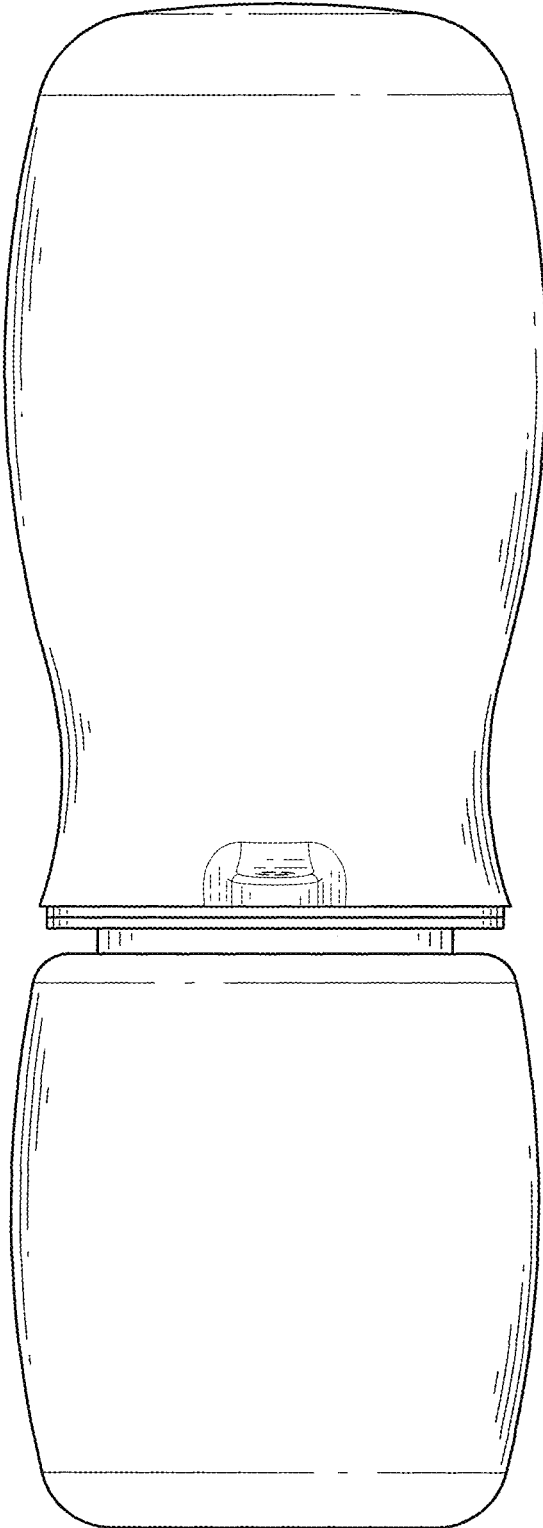


FIG. 4

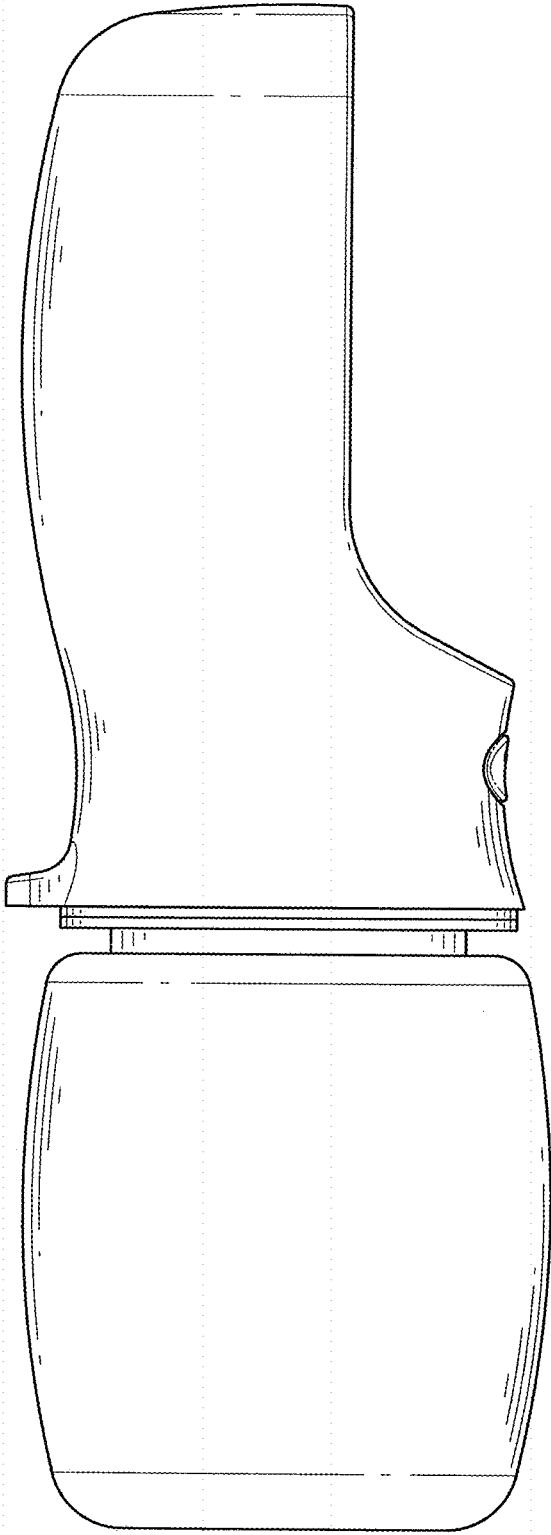


FIG. 5

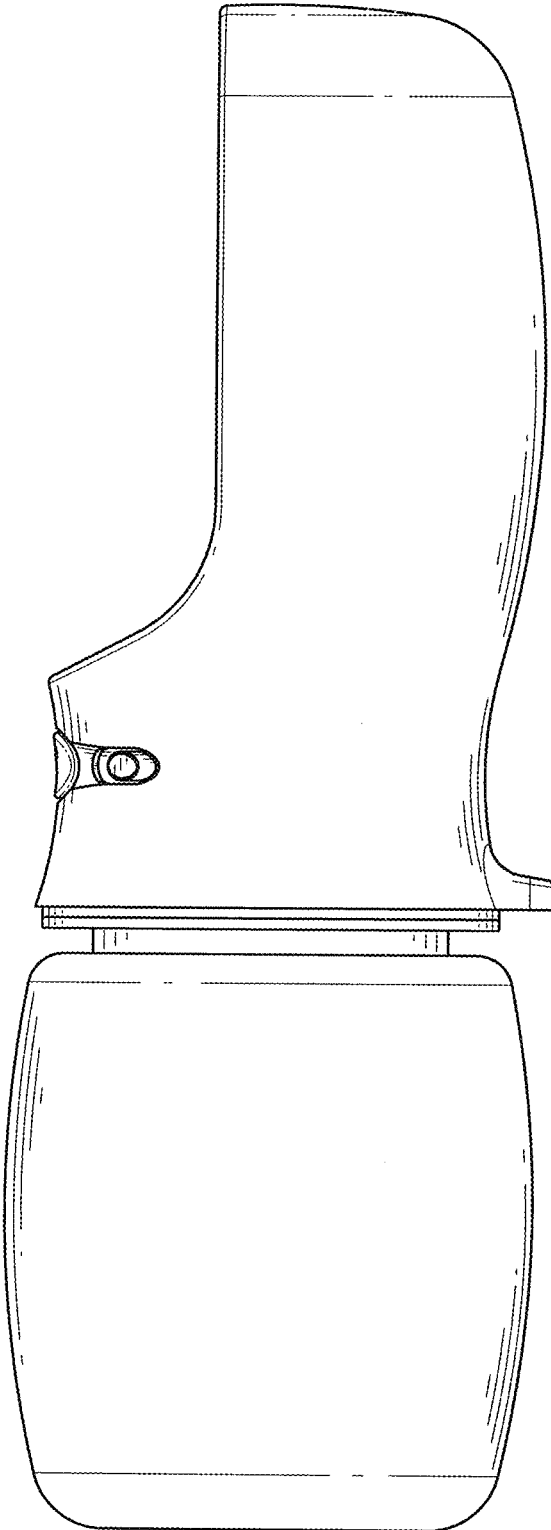


FIG. 6

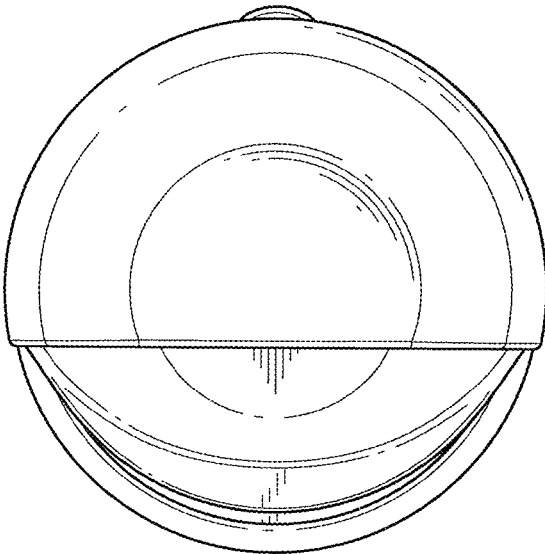


FIG. 7



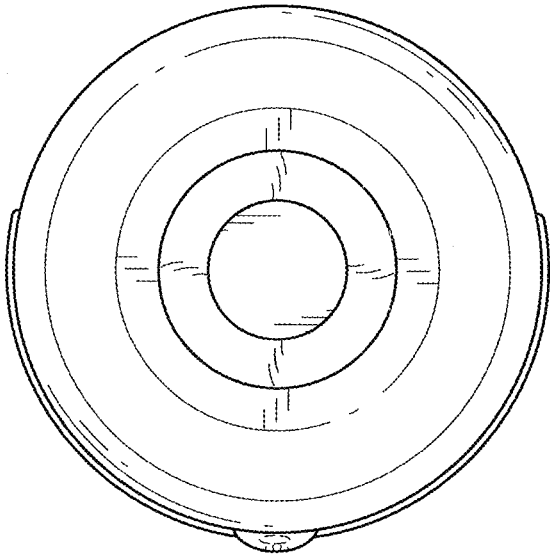


FIG. 8