



US00D418000S

# United States Patent [19]

[11] Patent Number: **Des. 418,000**

Mork et al.

[45] Date of Patent: **\*\* Dec. 28, 1999**

[54] **COFFEE MAKER**

[75] Inventors: **Steve O. Mork**, Lowell, Mich.; **Ronald J. Vish**, Somerville, Mass.

[73] Assignee: **Amway Corporation**, Ada, Mich.

[\*\*] Term: **14 Years**

[21] Appl. No.: **29/097,353**

[22] Filed: **Dec. 4, 1998**

[51] **LOC (6) Cl.** ..... **07-01**

[52] **U.S. Cl.** ..... **D7/309; D7/311**

[58] **Field of Search** ..... **D7/309, 310, 311, D7/305, 300; 99/295, 293, 290, 306**

[56] **References Cited**

**U.S. PATENT DOCUMENTS**

- D. 186,182 9/1959 Wickenberg .
- D. 228,053 8/1973 Knox .
- D. 266,978 11/1982 Huisman .
- D. 336,000 6/1993 Barrault ..... D7/309
- D. 340,833 11/1993 Del Frasco ..... D7/309
- D. 347,961 6/1994 Beeren ..... D7/309
- D. 356,712 3/1995 Brady .
- D. 369,268 4/1996 Assmann et al. .

- D. 371,271 7/1996 Seiffert et al. .
- D. 386,039 11/1997 Dingelstad ..... D7/309
- D. 387,946 12/1997 Hippen .
- D. 390,409 2/1998 Littman ..... D7/309
- D. 391,439 3/1998 Mork et al. .... D7/310 X
- D. 400,045 10/1998 Schade ..... D7/311 X
- 5,503,060 4/1996 Morecroft et al. .

*Primary Examiner*—M. N. Pandozzi  
*Attorney, Agent, or Firm*—Warner Norcross & Judd

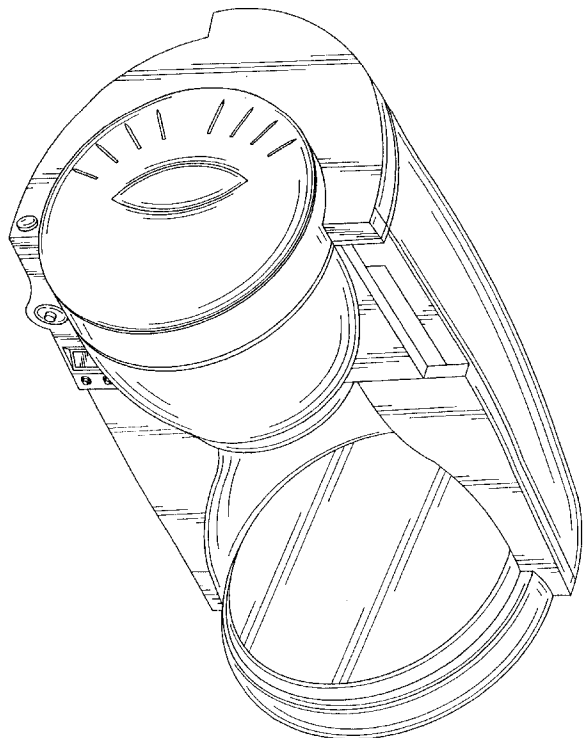
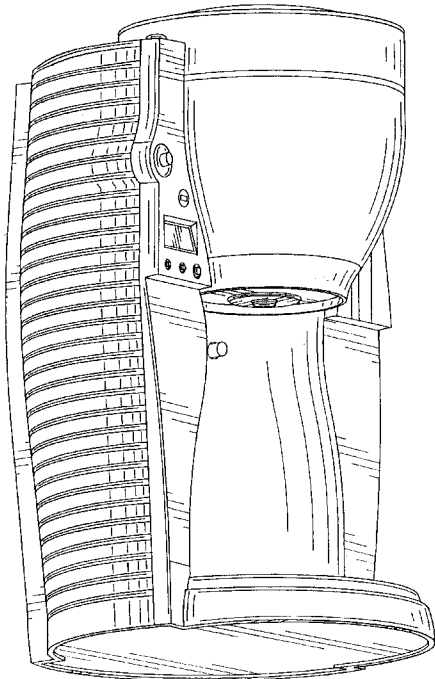
[57] **CLAIM**

The ornamental design for coffee maker, as shown and described.

**DESCRIPTION**

FIG. 1 is a bottom perspective view of the coffee maker embodying the new design;  
FIG. 2 is a top perspective view thereof;  
FIG. 3 is a front elevational view thereof;  
FIG. 4 is a left side elevational view thereof;  
FIG. 5 is a right side elevational view thereof;  
FIG. 6 is a rear elevational view thereof;  
FIG. 7 is a bottom plan view thereof; and,  
FIG. 8 is a top plan view thereof.

**1 Claim, 7 Drawing Sheets**



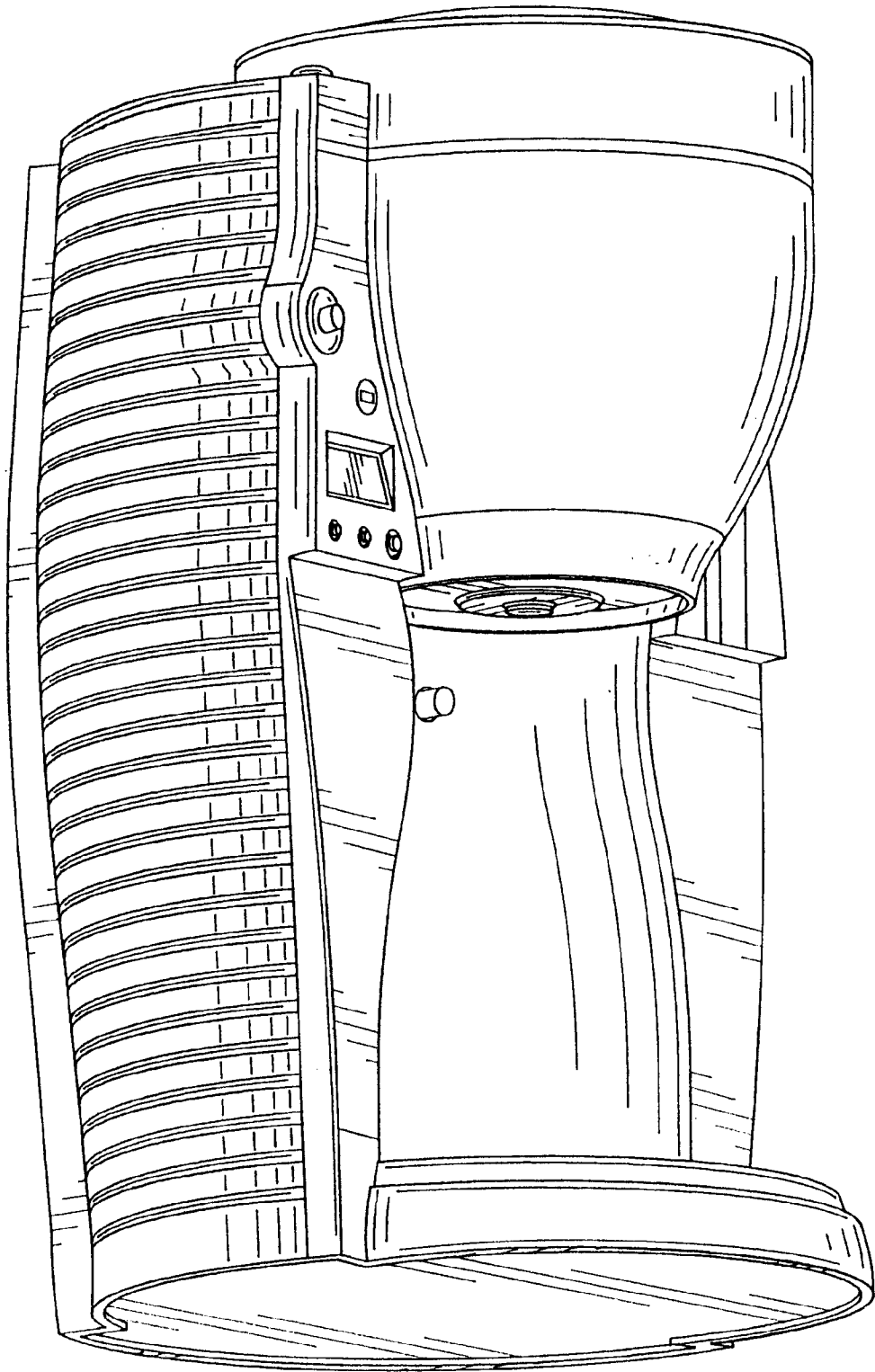


FIG. 1

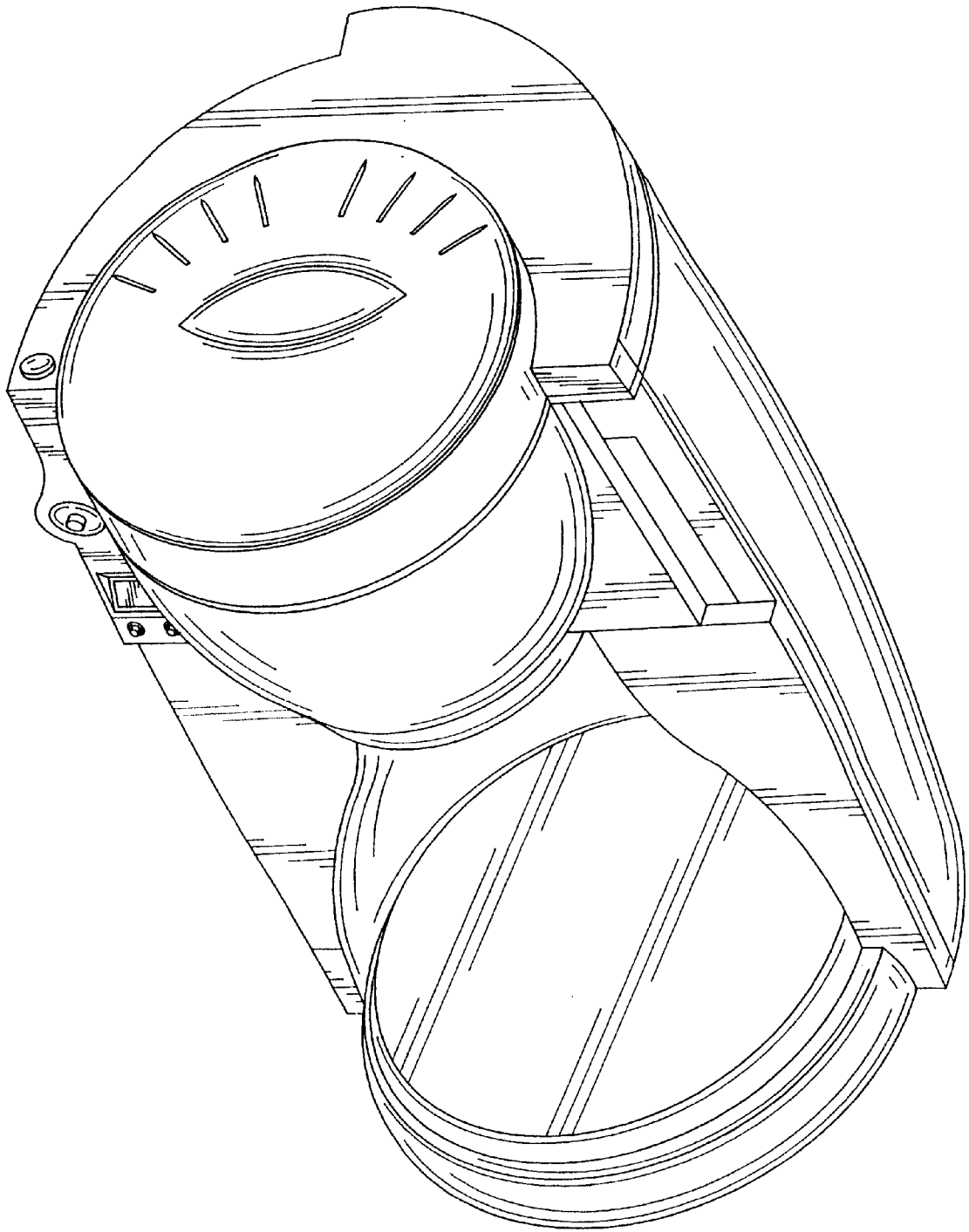


FIG. 2

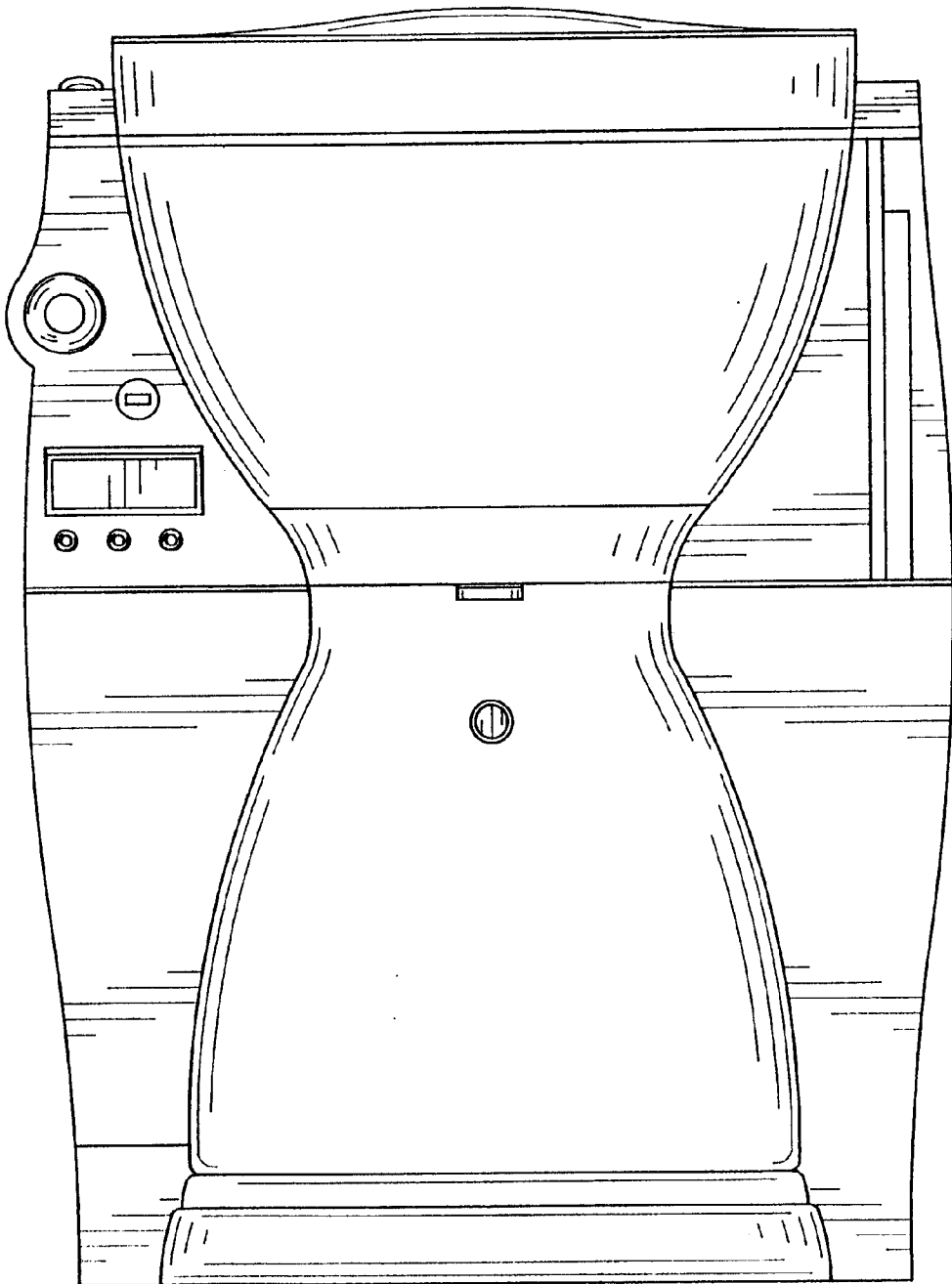


FIG. 3

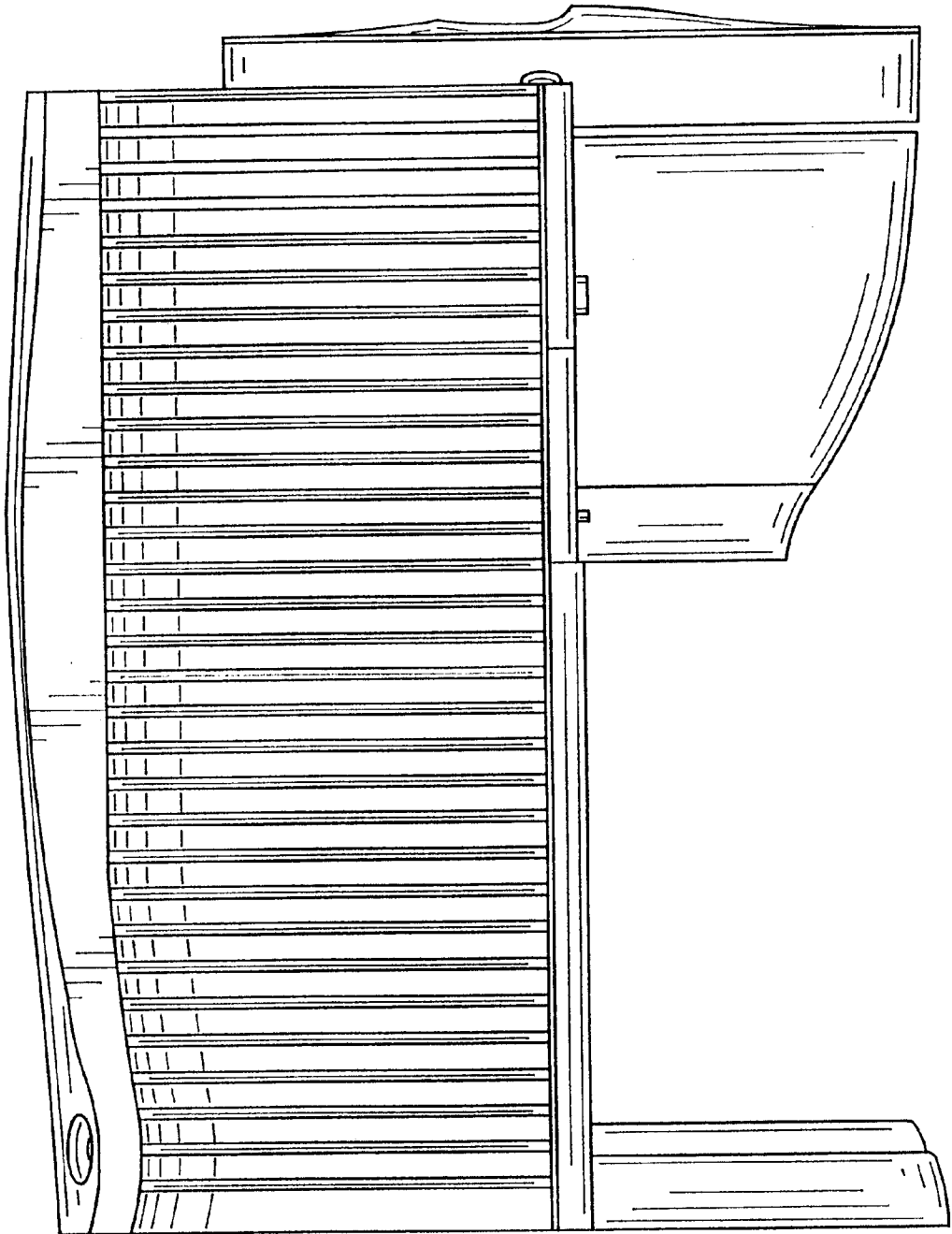


FIG. 4

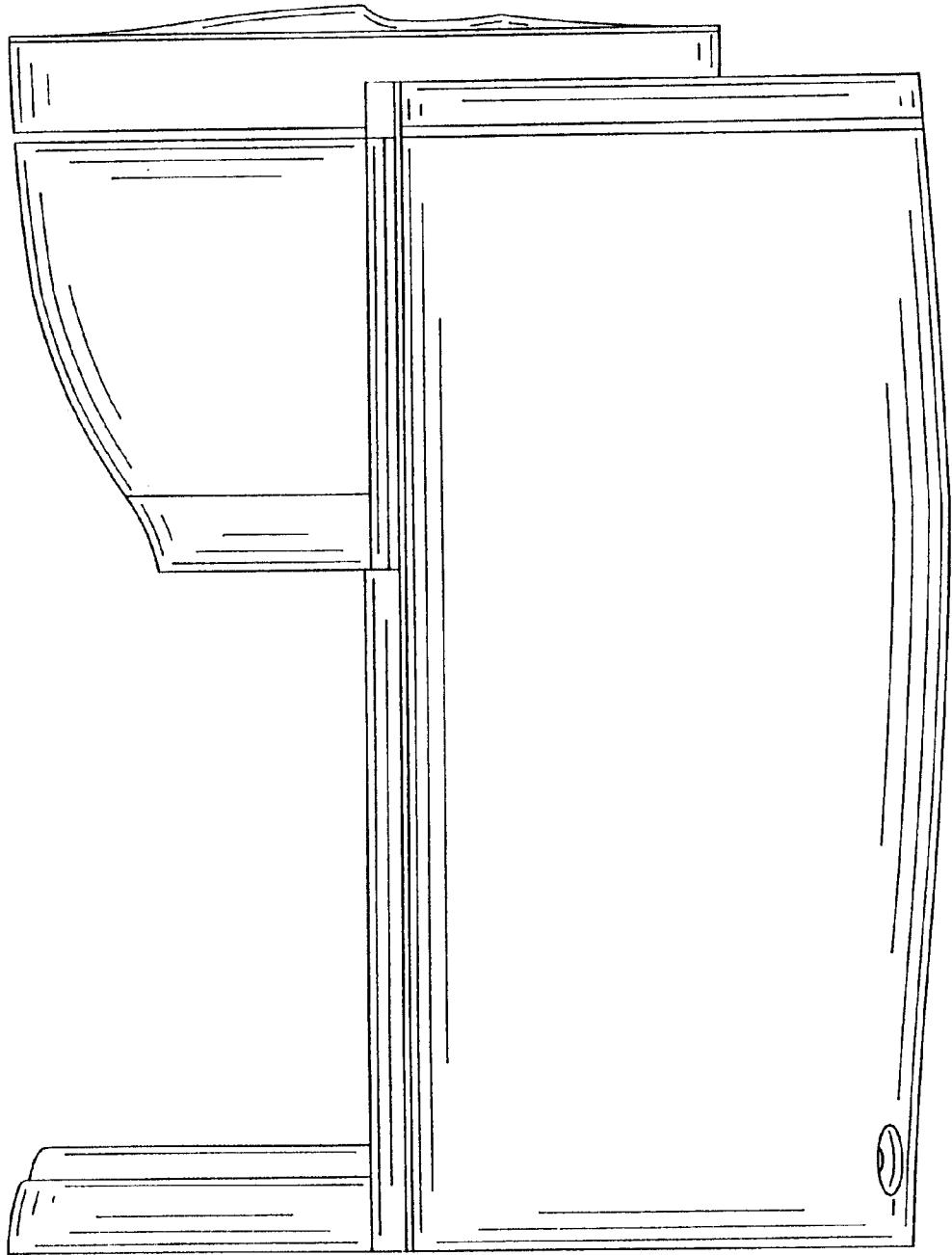


FIG. 5

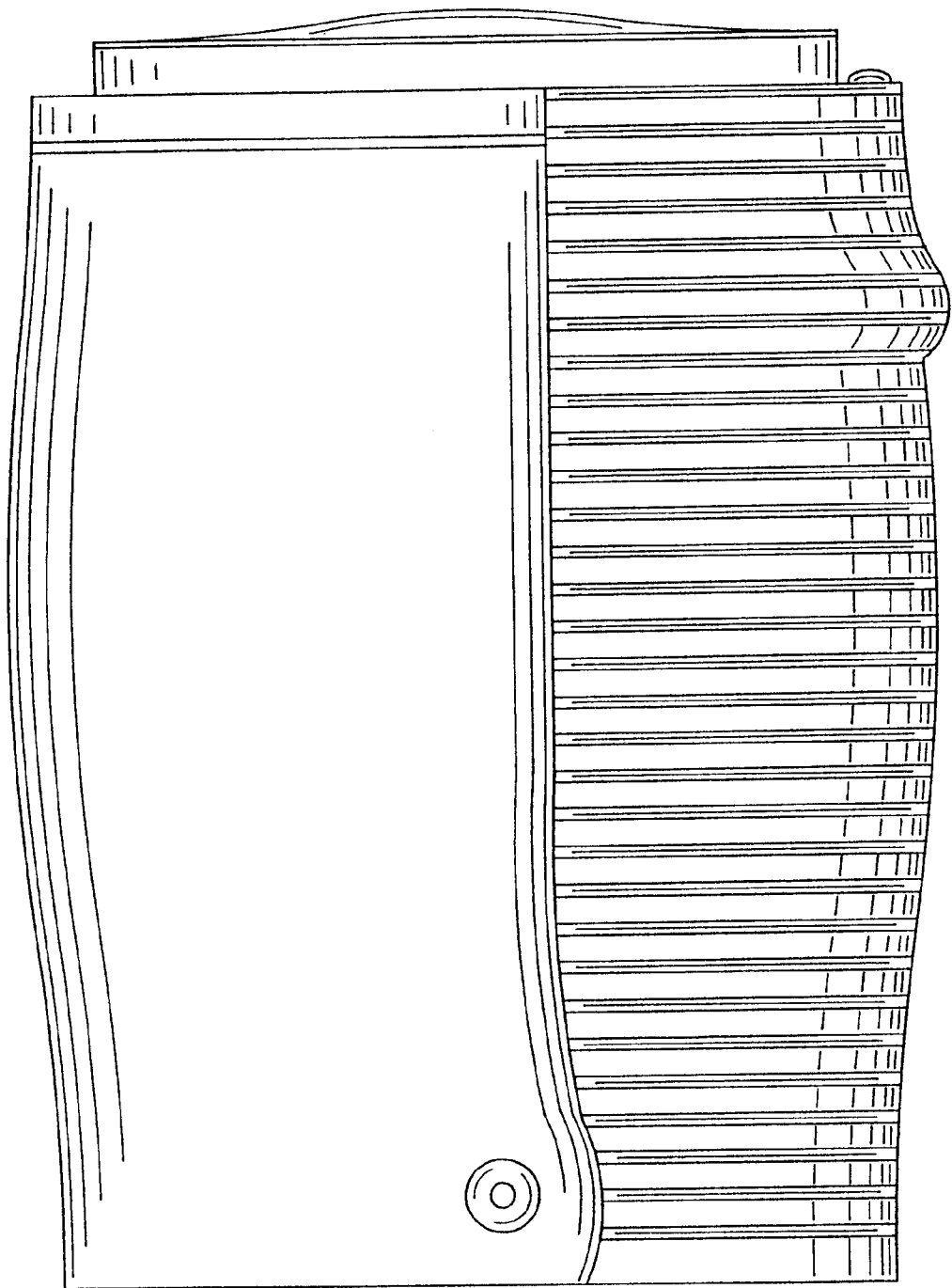


FIG. 6

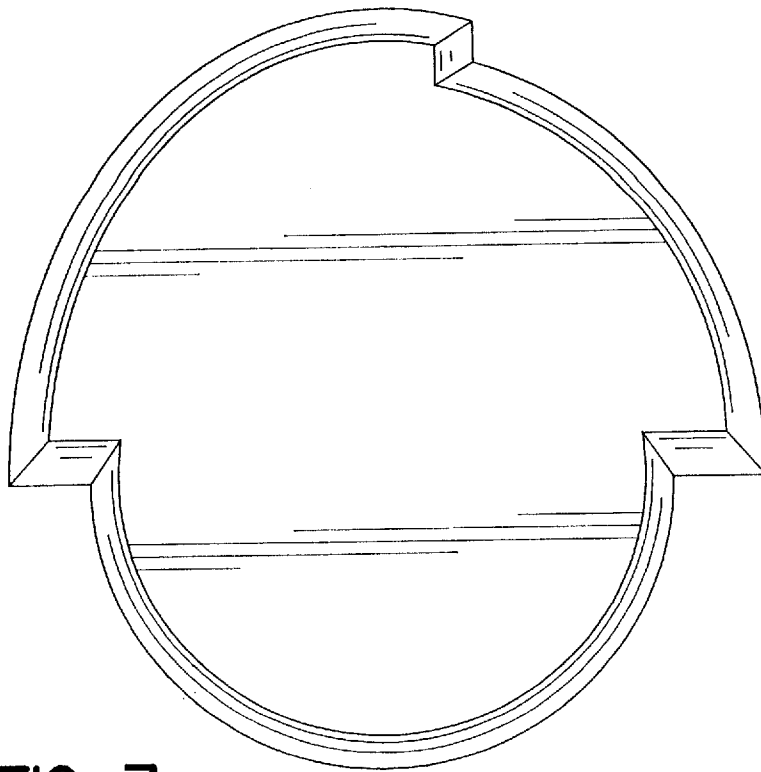


FIG. 7

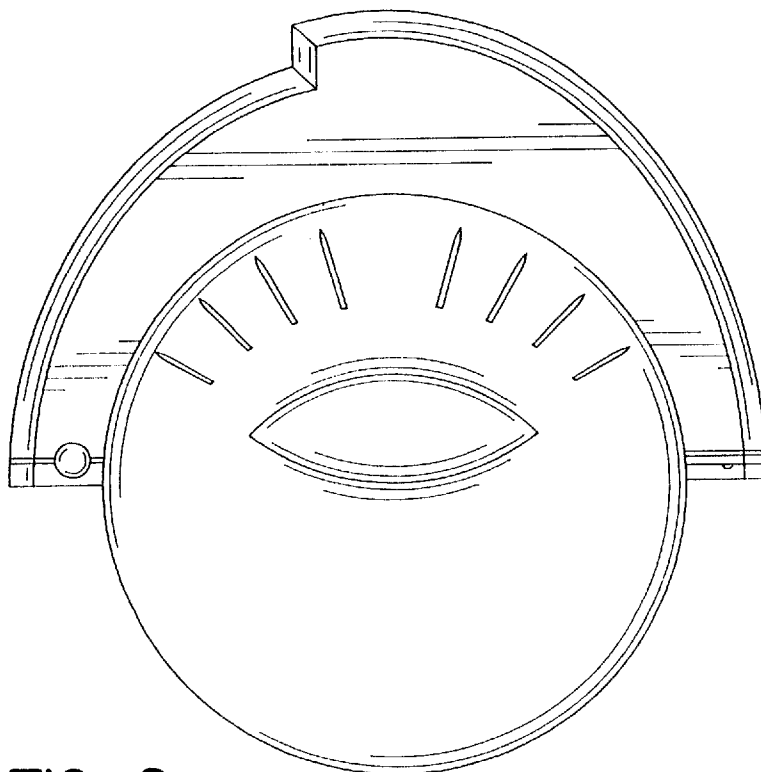


FIG. 8