

[54] HAIR DRYER

[75] Inventors: **Morison S. Cousins**, Plainview;  
**Michael A. Cousins**, Huntington,  
both of N.Y.

[73] Assignee: **The Gillette Company**, Boston, Mass.

[\*\*] Term: **14 Years**

[21] Appl. No.: **710,271**

[22] Filed: **Jul. 30, 1976**

[51] Int. Cl. .... **D28-03**

[52] U.S. Cl. .... **D28/13**

[58] Field of Search ..... **D28/9, 10, 12-16,**  
**D28/18, 24; D4/13, 14, 17; 34/96-101;**  
**219/222; 132/7, 9, 11 R, 11 A, 118; D8/77**

[56]

**References Cited**

**PUBLICATIONS**

Sears Supplement to the Washington Post, Wed. 6/12/1974, back cover - professional dryer a.  
The Washington Post, Wed. 12/18/1974, p. A25 - Gillette "Promax" at top left.  
Stile Industria, Dec. 1961, p. 26 - hair drier.

*Primary Examiner*—Joel Stearman  
*Assistant Examiner*—Louis S. Zarfes  
*Attorney, Agent, or Firm*—Richard A. Wise

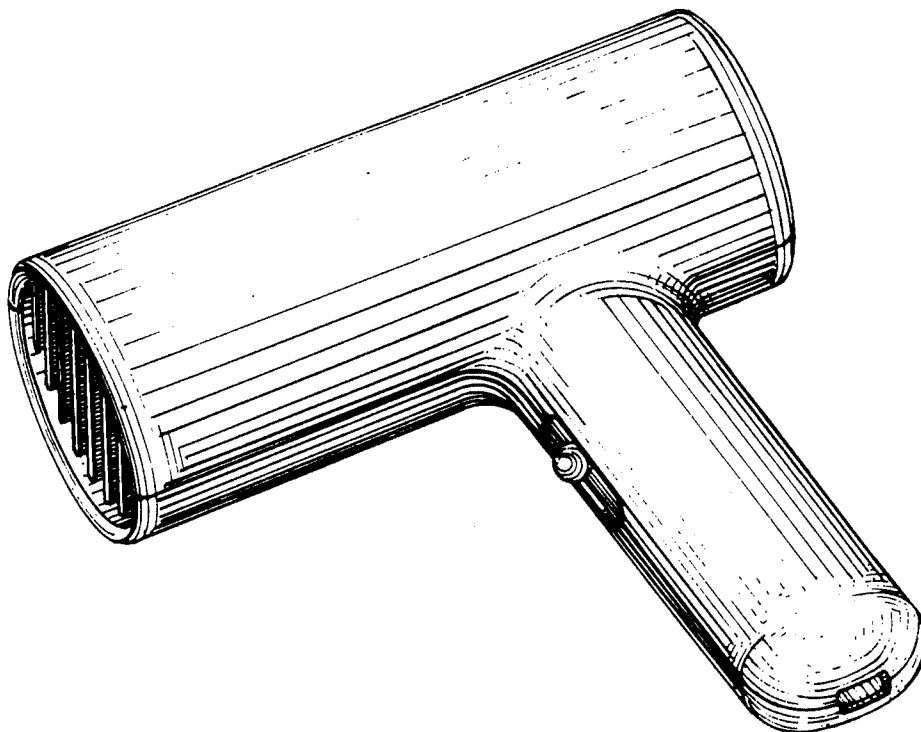
[57]

**CLAIM**

The ornamental design for a hair dryer, as shown and described.

**DESCRIPTION**

FIG. 1 is a perspective view of a hair dryer showing our new design;  
FIG. 2 is a rear elevational view thereof;  
FIG. 3 is a top plan view thereof;  
FIG. 4 is a bottom plan view thereof;  
FIG. 5 is a back end elevational view thereof; and  
FIG. 6 is a front end elevational view thereof.



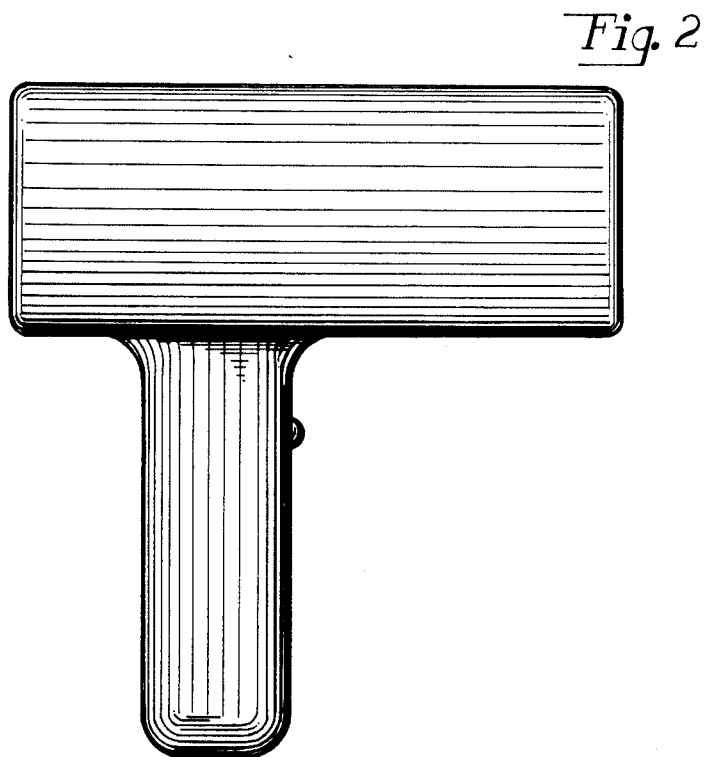
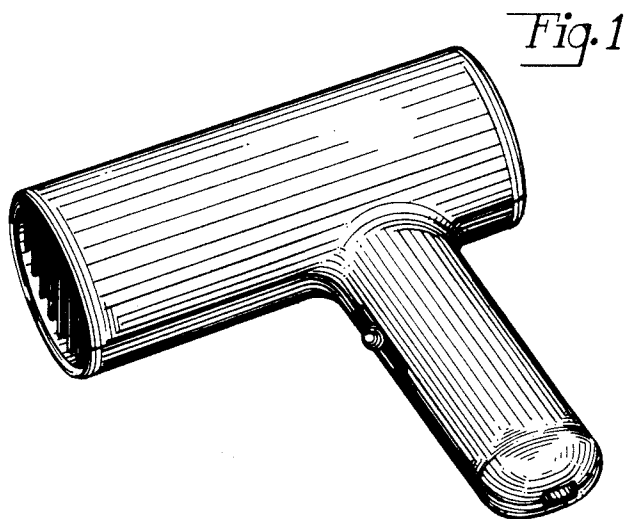


Fig. 3

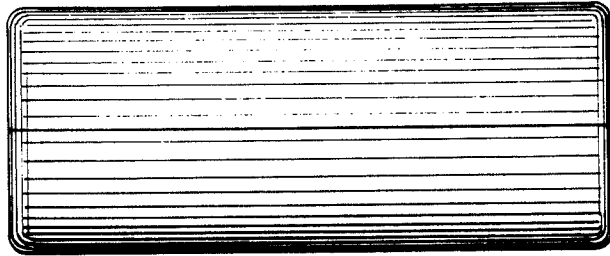


Fig. 4

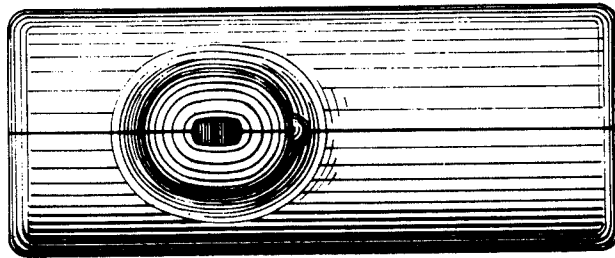


Fig. 5

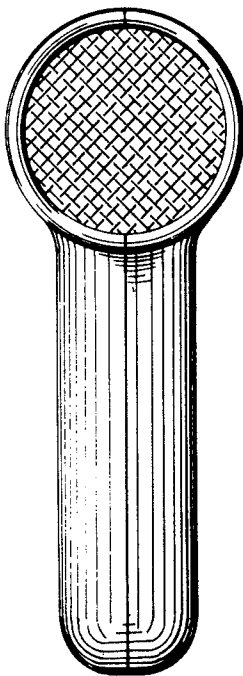


Fig. 6

