

[54] BROILER

[75] Inventor: Hideo Nishikawa, Higashi Osaka, Japan

[73] Assignee: Imanishi Kinzoku Kogyo Kabushiki Kaisha, Osaka, Japan

[**] Term: 14 Years

[21] Appl. No.: 661,840

[22] Filed: Oct. 17, 1984

[52] U.S. Cl. D7/337; D7/355

[58] Field of Search D7/355, 337, 332; 99/341, 447

[56] References Cited

U.S. PATENT DOCUMENTS

D. 221,816	9/1971	Bryan	D7/337
D. 229,277	11/1973	Ming-Kong	D7/337
241,035	5/1881	Lumbert	99/447 X
D. 256,763	9/1980	Vincent	D7/332
1,802,005	4/1931	Detwiler	99/447 X
2,397,478	4/1946	Drechsler et al.	99/447 X
2,417,266	3/1947	Petrakakis	99/447
3,386,433	6/1968	Copeland et al.	99/447 X
3,786,741	1/1974	Plumley et al.	99/447

FOREIGN PATENT DOCUMENTS

29070	7/1981	Japan	.
110713	7/1981	Japan	.
4644	2/1982	Japan	.
12039	3/1982	Japan	.
58-18038	2/1983	Japan	.
624080	1/1984	Japan	.
677627	1/1986	Japan	.
684119	5/1986	Japan	.

Primary Examiner—Winifred E. Herrmann
 Attorney, Agent, or Firm—Armstrong, Nikaido, Marmelstein & Kubovcik

[57] CLAIM

The ornamental design for a broiler, as shown and described.

DESCRIPTION

FIG. 1 is a top, front perspective view of a broiler showing my new design;
 FIG. 2 is a front elevational view thereof;
 FIG. 3 is a rear elevational view thereof;
 FIG. 4 is a right side elevational view thereof, the side opposite is a mirror image;
 FIG. 5 is a top plan view thereof; and,
 FIG. 6 is a bottom plan view thereof.

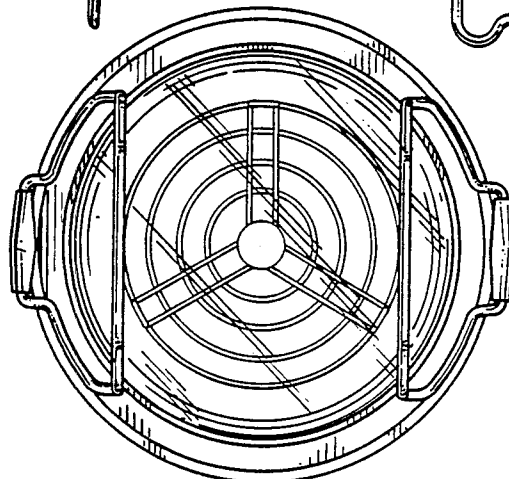
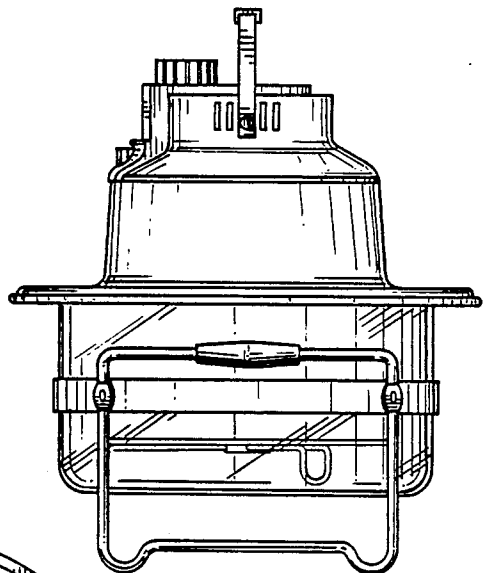
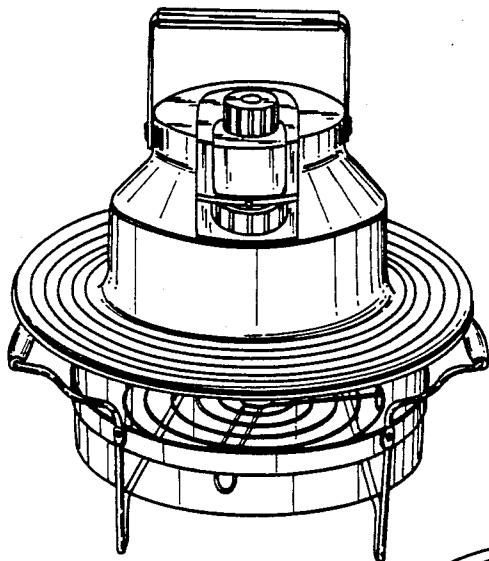


FIG. 1

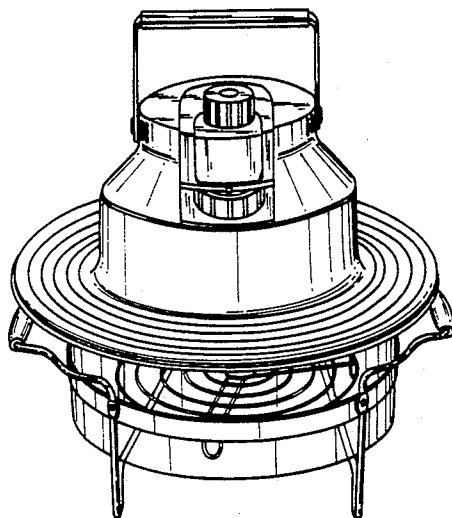


FIG. 2

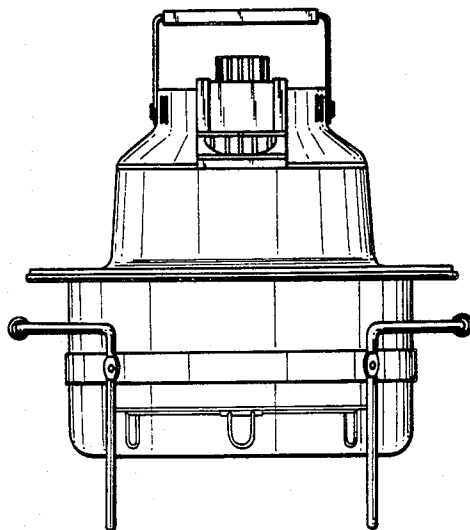


FIG. 3

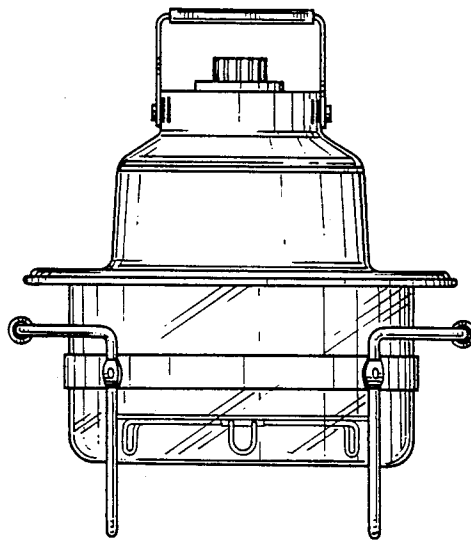


FIG. 4

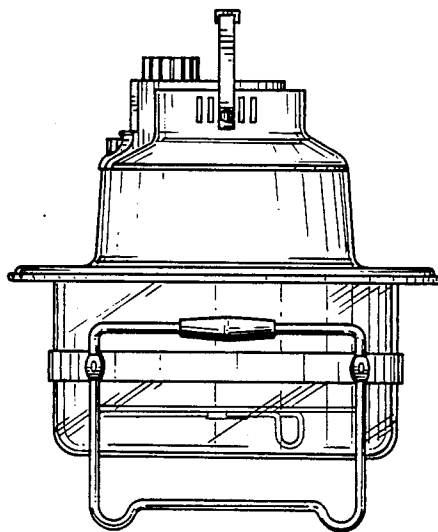


FIG. 5

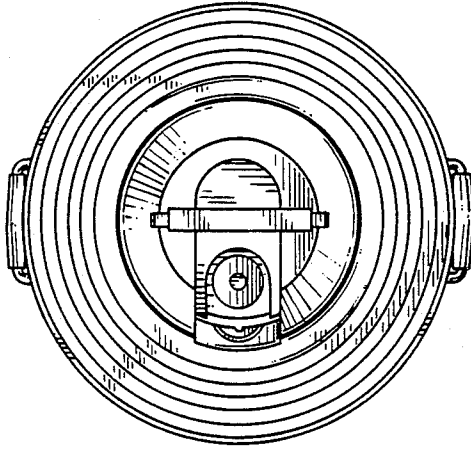


FIG. 6

