



US00D426316S

# United States Patent [19]

[11] Patent Number: Des. 426,316

Fisher

[45] Date of Patent: \*\* Jun. 6, 2000

[54] **ARCuate V-SHAPed FORMER FOR A STACKABLE TRUSS**

5,205,101 4/1993 Swan et al. .... 51/650.1

[75] Inventor: **Mark E. Fisher**, London, United Kingdom

### FOREIGN PATENT DOCUMENTS

859752 11/1956 United Kingdom .  
1088460 7/1965 United Kingdom .  
1320777 6/1969 United Kingdom .

[73] Assignee: **Tomcat Global Corporation**, Midland, Tex.

*Primary Examiner*—Doris Clark  
*Attorney, Agent, or Firm*—Jones, Day, Reavis & Pogue

[\*\*] Term: **14 Years**

### [57] CLAIM

[21] Appl. No.: **29/094,796**

I claim the ornamental design for an arcuate V-shaped former for a stackable truss, as shown and described.

[22] Filed: **Oct. 9, 1998**

### DESCRIPTION

[51] **LOC (7) Cl.** ..... **25-02**

[52] **U.S. Cl.** ..... **D25/61**

[58] **Field of Search** ..... 52/634, 638, 640, 52/643, 650.1; D25/61

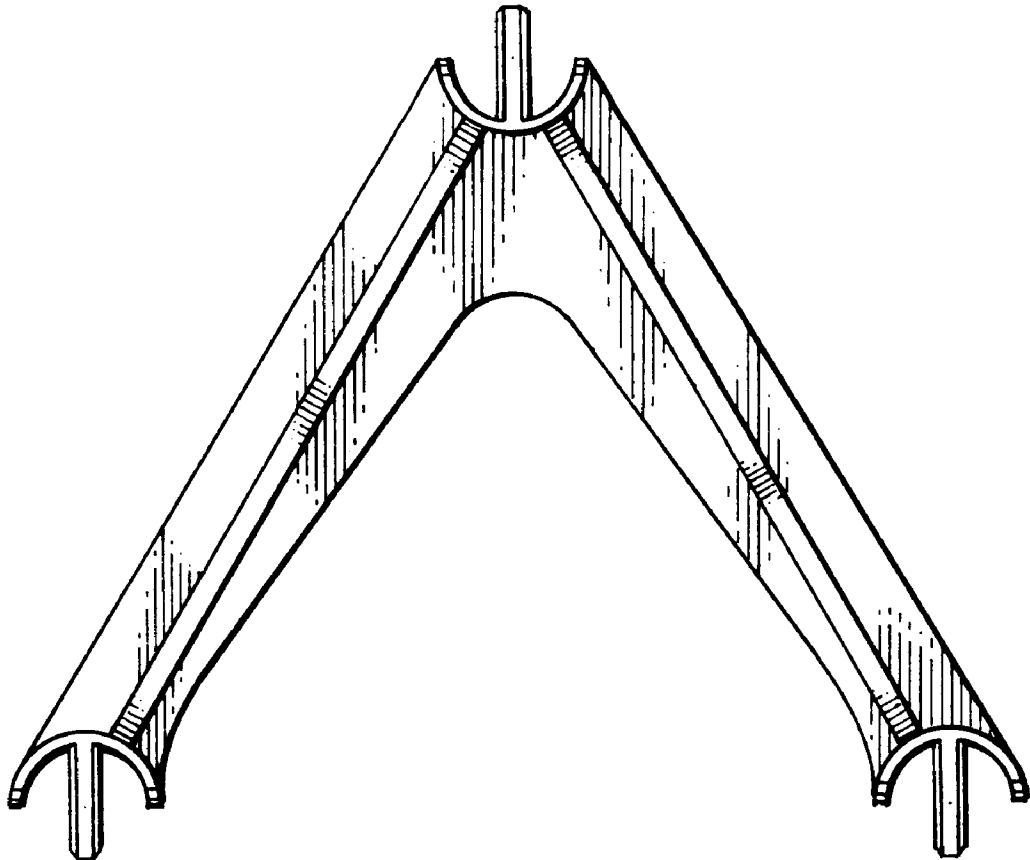
FIG. 1 is an elevational view of the arcuate V-shaped former for a stackable truss, the rear view being identical; FIG. 2 is a side view of the arcuate V-shaped former for a stackable truss, each side being identical; FIG. 3 is a top view of the arcuate V-shaped former for a stackable truss; and, FIG. 4 is a bottom view of the arcuate V-shaped former for a stackable truss.

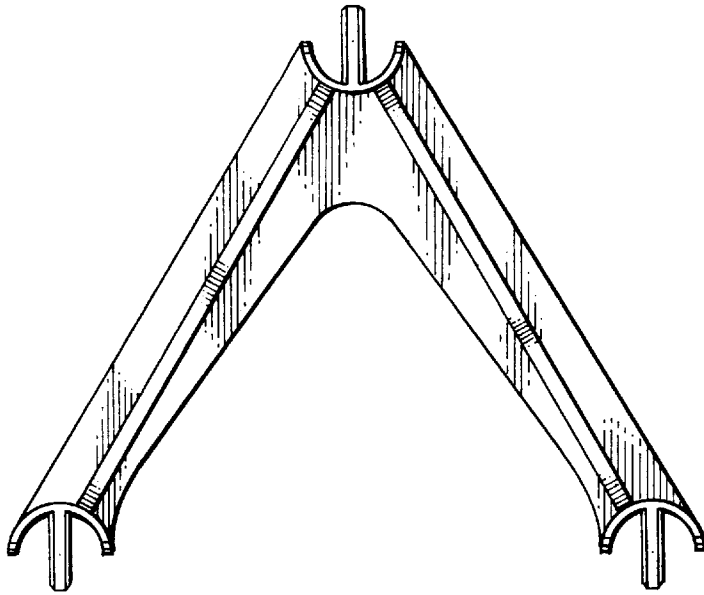
### [56] References Cited

#### U.S. PATENT DOCUMENTS

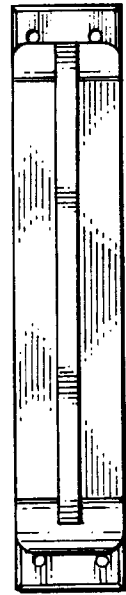
1,393,996 10/1921 Fregonara ..... 52/634  
1,677,577 7/1928 Amiot ..... 52/634  
2,284,898 6/1942 Hartman ..... D25/61

**1 Claim, 1 Drawing Sheet**

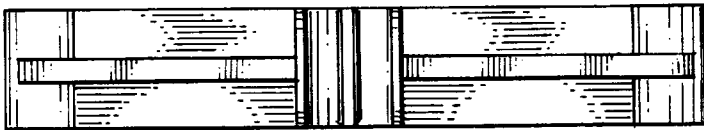




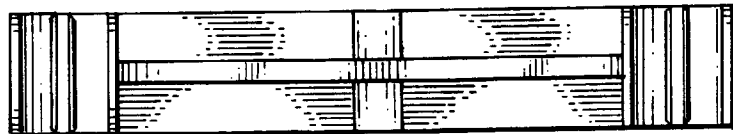
*FIG. 1*



*FIG. 2*



*FIG. 3*



*FIG. 4*