

(12) INNOVATION PATENT
(19) AUSTRALIAN PATENT OFFICE

(11) Application No. **AU 2002100057 A4**

(54) Title
Golf/general use umbrella

(51) International Patent Classification(s)
A45B 025/00

(21) Application No: **2002100057**

(22) Date of Filing: **2002.01.25**

(45) Publication Date: **2002.03.14**

(45) Publication Journal Date: **2002.03.14**

(45) Granted Journal Date: **2002.03.14**

(71) Applicant(s)
Chris Priscott; Craig Warren

(72) Inventor(s)
Priscott, Chris; Warren, Craig

(74) Agent / Attorney
Cullen and Co 239 George Street Brisbane Qld AU

ABSTRACT

An umbrella and accessories for hands free support of the umbrella with respect to a ground surface or objects such as a picnic table, rails and the like

1/2

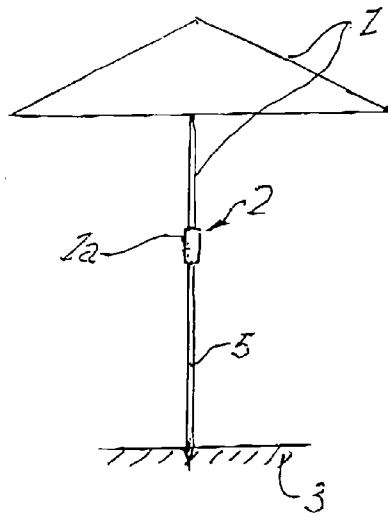


FIG. 1

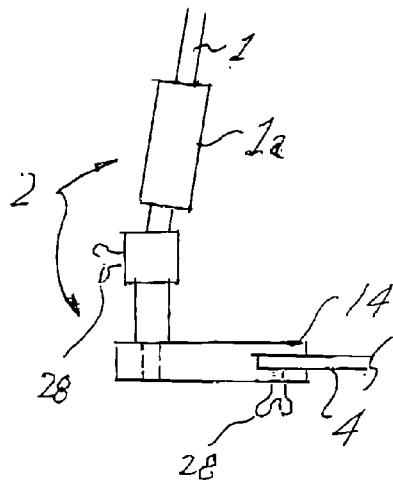


FIG. 2

GOLF/GENERAL USE UMBRELLA**TECHNICAL FIELD**

This invention relates to umbrellas for use by sportsmen, sports spectators and for general purposes.

5

BACKGROUND ART

Various proposals to enhance the usability of umbrellas for sports people and others have been proposed in the past.

Some of these proposals have embodied the concept of extending the length of the handle of an umbrella to enable it to be freestanding.

10

Such a concept is especially attractive to open space sports people such as golfers who on many occasions would like to have the benefit of the protection offered by an umbrella on a hands free basis so that activities such as scoring, glove changing, taking refreshments and the like can be carried out under the protection of an umbrella.

15

United States Patents Nos. 5,749,386, 5,293,889 and 4,733,681 are examples of enhancements to umbrellas for various purposes.

20

Some of these patents describe telescopic extensions from the handle of an umbrella whilst others describe sectional or add-on extensions to the handles of umbrellas.

20

Bearing in mind that most sports umbrellas are sold at a relatively modest price (often subsidised by advertising) any proposals which substantially increase the price of these items are likely to be resisted by the intended users.

25

It is accordingly an object of the present invention to provide an umbrella accessory which will enhance the usability of umbrellas which can be provided at a relatively modest price.

30

Further objects and advantages of the present invention will become apparent from the ensuing description which is given by way of example.

30

DISCLOSURE OF INVENTION

According to the present invention there is provided a shading device and an accessory for facilitating the hands free support of the shading device, the accessory comprising;

- 5 (a) a female member,
(b) a male member, and
(c) a support, characterised in that the female member is embodied with or attachable to a handle of the shading device and the male member is embodied with or attachable to the support.

10 The support can be a ground stake.

The support device can include a clamp.

The ground stake can be telescopic and be provided with a ground spear.

15 The clamp can be provided with a joint which enables the umbrella to be orientated at any angle in relation to the support.

BRIEF DESCRIPTION OF THE DRAWINGS.

Aspects of the present invention will now be described with reference to the accompanying drawings in which;

20 Figure 1 is a diagrammatic side view of an umbrella supported by a ground stake, and

Figure 2 is a diagrammatic side view of an umbrella supported by a clamping device, and

Figure 3 is a side perspective view of a handle engagement device according to the present invention, and

25 Figure 4 is a side view of a handle providing a female socket according to a further aspect of the invention, and

Figures 5,5a and 5b are side and plan views of a male member according to a further aspect of the present invention, and

30 Figures 6 and 6a are side and plan views of a female member according to a further aspect of the present invention.

Figure 7 is a side view of a male member for mounting on a ground stake according to a further aspect of the present invention, and

Figures 8 and 8a are side and top views of a spear for a ground stake according to a further aspect of the present invention.

With respect to figures 1 and 2 of the drawings a shading device such as an umbrella 1 and an accessory generally indicated by arrow 2 provide hands free support for the umbrella 1.

In two separate embodiments the accessory supports the umbrella from a ground surface 3 (figure 1) or an objects such as a table edge or flange, rail or the like 4 (figure 2).

In the figure 1 arrangement the accessory 2 provides a male and female attachment to the handle 1a of an umbrella 1 and a support in the form of a ground stake 5.

In the figure 2 arrangement the accessory 2 provides a male and female attachment to the handle 1a of an umbrella 1 and a support which includes a clamp.

The umbrella 1 can be provided with an especially adapted handle 6 illustrated by figure 4, or alternatively, an umbrella handle receiver 7 as illustrated by figure 3 can be attached to a standard umbrella handle.

In both cases the handle 6 or receiver 7 are provided with an elongate socket 8.

The adapted handle 6 is a generally elongate cylindrical member including an umbrella shaft receiving socket 9.

The umbrella handle receiver 7 includes an externally threaded socket 10 having wasted portions 11 and an internally threaded collar 12.

The receiver is adapted to receive the handle of a standard umbrella in the socket 10 and the collar 12 is used to tighten the walls of the socket on the handle.

In both cases the walls of the handle 6 and receiver 7 are provided with a detent device receiving apertures 13.

With respect to figures 5 to 6 the elements illustrated provide an intermediate ball joint between an umbrella handle 6 or receiver 7 and a clamping device generally indicated by arrow 14. (figure2).

A first of the elements generally indicated by arrow 15 comprises a ball 16 and a conjoined socket 17.

The socket 17 is provided with an internally extending pin 18 in a portion of its wall adjacent two wasted wall portions 19.

5 A second element illustrated by figures 6 and 6a and generally indicated by arrow 20 provides a male fitting 21 and a ball socket 22 for receiving the ball 16 of the adjacently illustrated element 15.

The portion of the element 20 providing the ball socket has opposed slots 23 which enable the ball socket 22 to open to accept the ball
10 16.

Figures 7 to 8a illustrate a male fitting generally indicated by arrow 24 and a ground spear device 25 for fitment to a ground stake (not shown) to provide the ground support arrangement illustrated by figure 1 of the drawings.

15 The male fitting 24 has a socket 26 for fitment to one end of a ground stake and a male element 27 for engagement with the sockets 8 of the umbrella handles. The other end of a ground stake is fitted to the spear 25.

The male element 27 is provided with a pin 27a in a portion of its wall adjacent two wasted wall portions 27b.

20 Screw clamps are used to secure elements with respect to one another or objects.

The detent devices described lock and unlock male and female elements in a simple and affective manner.

25 It is considered that the present invention provides a useful accessory for umbrellas and other shading devices enhancing the usability of same at a modest cost.

30 Aspects of the present invention have been described by way of example only and it will be appreciated that modifications and additions thereto may be made without departing from the scope thereof, as defined in the appended claims.

THE CLAIMS DEFINING THE INVENTION ARE AS FOLLOWS:

1. A shading device and an accessory for facilitating the hands free support of the shading device, the accessory comprising;
- 5 (d) a female member,
(e) a male member, and
(f) a support, characterised in that the female member is embodied with or attachable to a handle of the shading device and the male member is embodied with or attachable to the support.
- 10 2. An accessory as claimed in claim 1 wherein the support is a ground stake.
3. An accessory as claimed in claim 1 wherein the support device includes a clamp.
4. An accessory as claimed in claim 2 wherein the ground stake is
- 15 telescopic and is provided with a ground spear.
5. An accessory as claimed in claim 1 or claim 3 wherein the clamp is provided with a joint which enables the umbrella to be orientated at any angle in relation to the support.

DATED this 25th day of January 2002

20

CHRIS PRISCOTT & CRAIG WARREN

By their Patent Attorneys

CULLEN & CO

1/2

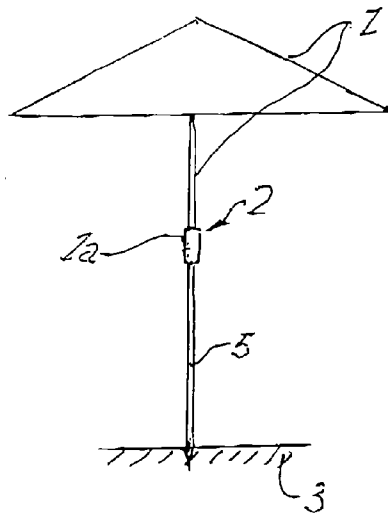


FIG. 1

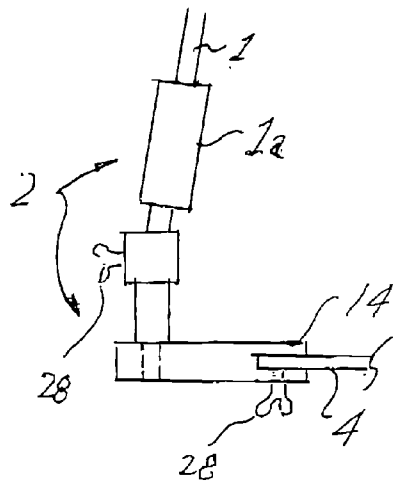


FIG. 2

