



US00D769236S

(12) **United States Design Patent**
Fiore, IV

(10) **Patent No.:** **US D769,236 S**

(45) **Date of Patent:** **** Oct. 18, 2016**

(54) **AUTO STEREO MOUNTING DEVICE**

(71) Applicant: **Anthony Fiore, IV**, Palm Coast, FL
(US)

(72) Inventor: **Anthony Fiore, IV**, Palm Coast, FL
(US)

(73) Assignee: **Metra Electronics Corporation**, Holly Hill, FL (US)

(**) Term: **14 Years**

(21) Appl. No.: **29/524,507**

(22) Filed: **Apr. 21, 2015**

(51) **LOC (10) Cl.** **14-03**

(52) **U.S. Cl.**
USPC **D14/258**

(58) **Field of Classification Search**
USPC D12/192, 195, 415, 420; D14/496,
D14/498-506, 154, 157, 168-171, 188-198,
D14/257-258; 248/27.1, 27.3, 558;
455/347, 350
CPC B60R 11/02; B60K 37/04; B60K 37/06;
H04B 1/08; H04B 1/082
See application file for complete search history.

(56) **References Cited**

U.S. PATENT DOCUMENTS

D494,909 S * 8/2004 Pfeiffer D12/192
D503,367 S * 3/2005 Pfeiffer D12/192

D555,647 S * 11/2007 Quilling, II D14/224
D559,244 S * 1/2008 Fukuda D14/258
D639,794 S * 6/2011 Fiore, IV D14/258
D714,776 S * 10/2014 Kirzinger D14/258
D719,560 S * 12/2014 Fiore, IV D14/258
D755,775 S * 5/2016 Fiore, IV D14/258
D755,776 S * 5/2016 Fiore, IV D14/258
D758,266 S * 6/2016 Ichikawa D12/192

* cited by examiner

Primary Examiner — Sandra Morris

(74) *Attorney, Agent, or Firm* — J. Wiley Horton

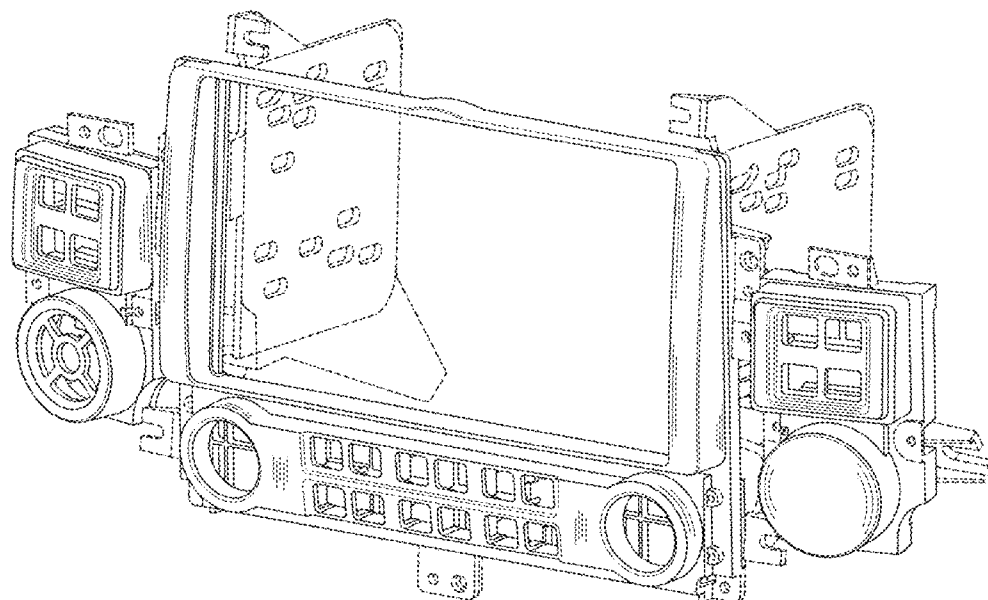
(57) **CLAIM**

The ornamental design for an “auto stereo mounting device,” as shown and described.

DESCRIPTION

FIG. 1 is a perspective view of an auto stereo mounting device, showing my design;
FIG. 2 is a front elevation view of FIG. 1;
FIG. 3 is a rear elevation view of FIG. 1;
FIG. 4 is a right side elevation view of FIG. 1;
FIG. 5 is a left side elevation view of FIG. 1;
FIG. 6 is a top plan view of FIG. 1; and,
FIG. 7 is a bottom plan view of FIG. 1.
The broken lines shown in all views illustrate mounting features which form no part of the claimed design.

1 Claim, 7 Drawing Sheets



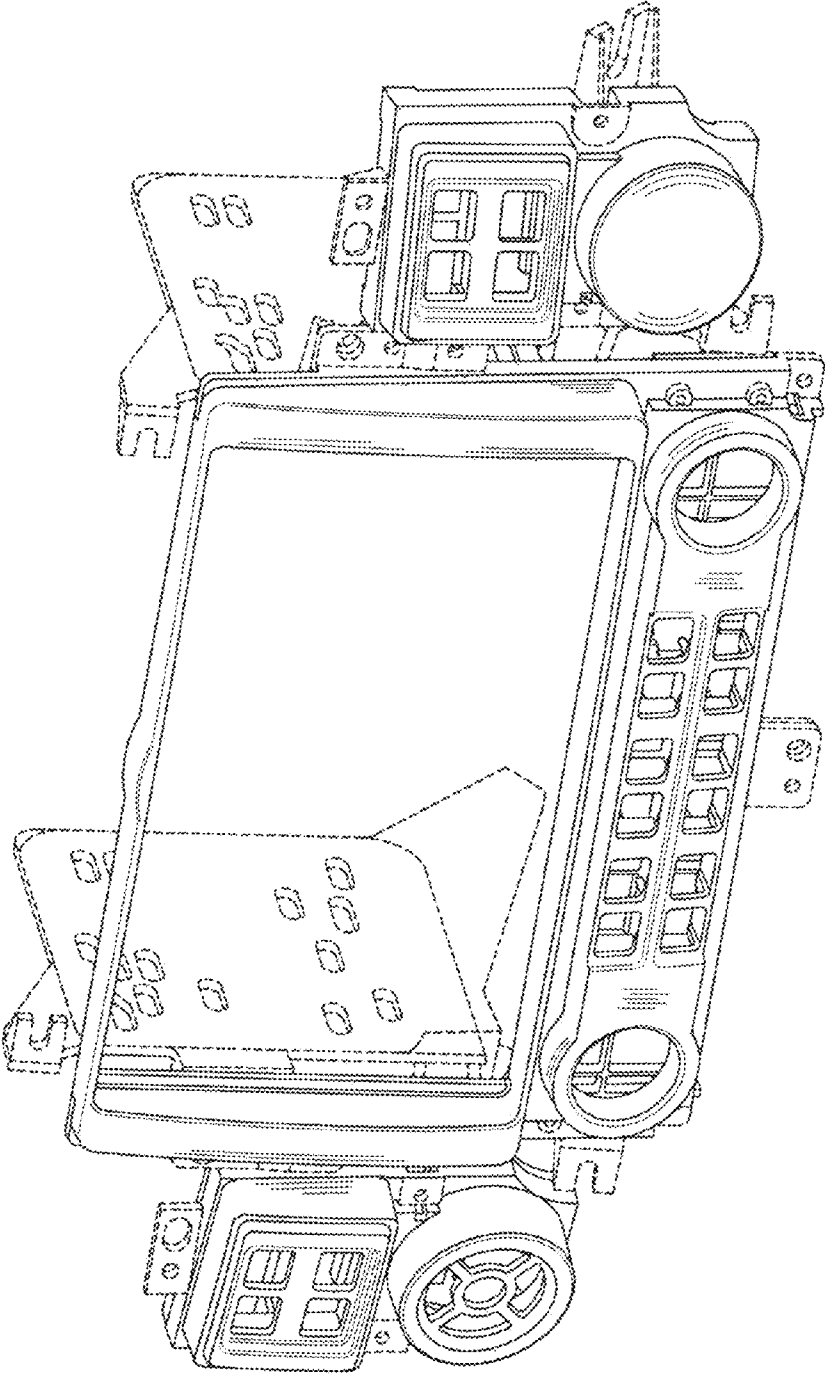


FIG. 1

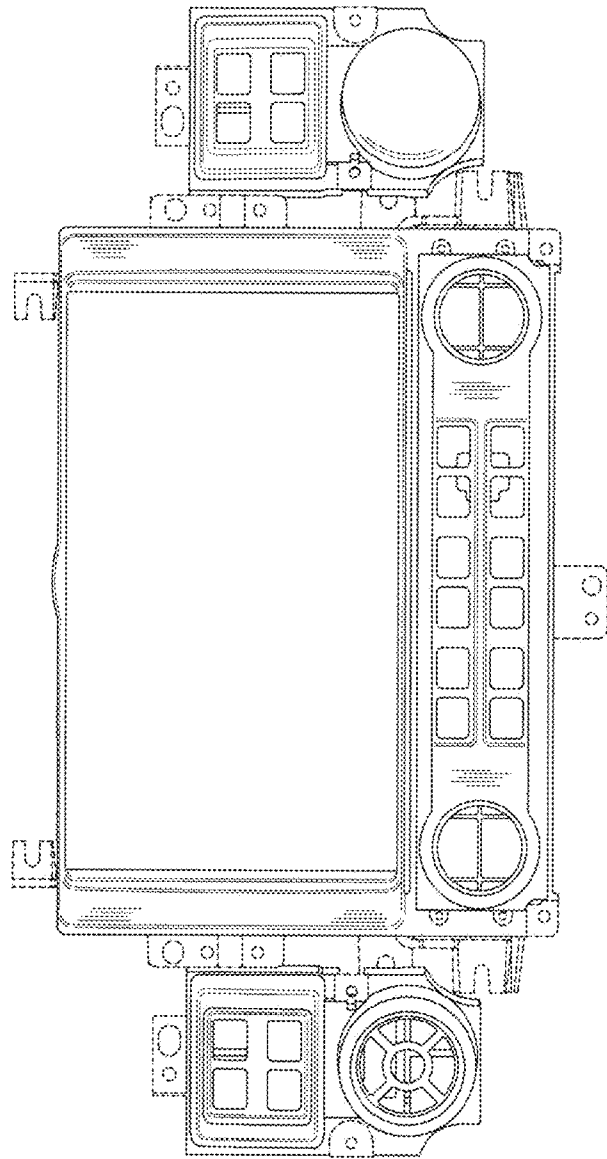


FIG. 2

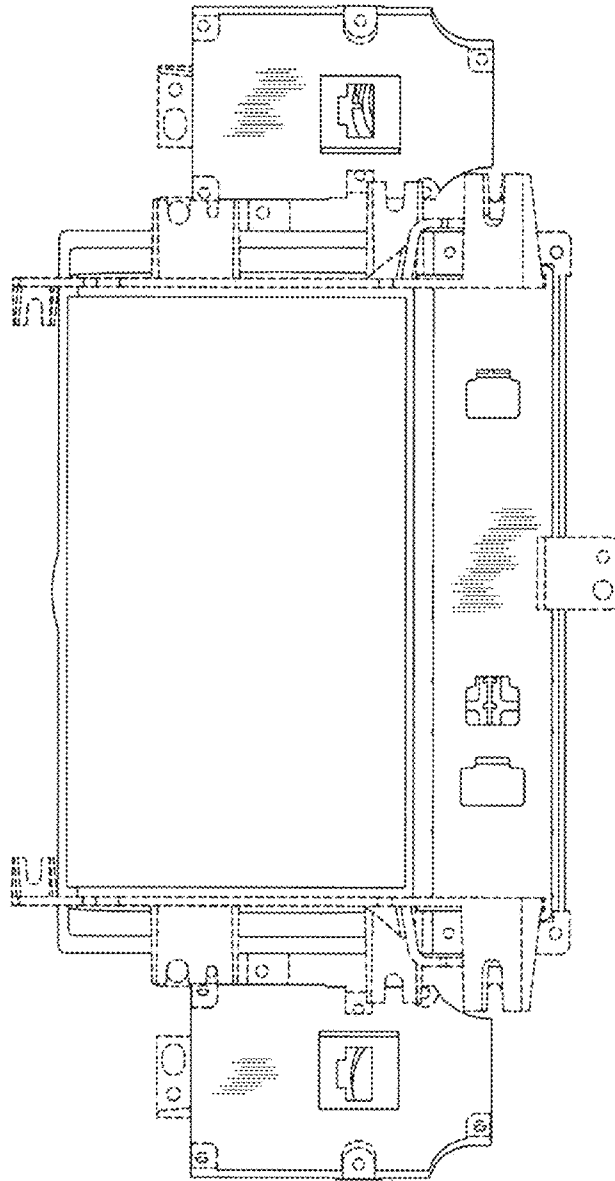


FIG. 3

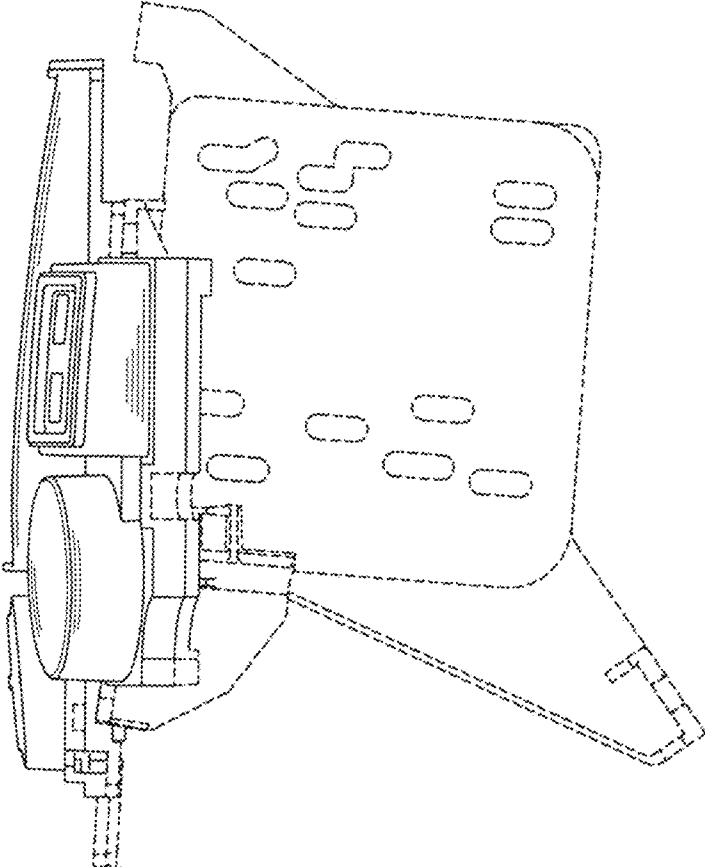


FIG. 4

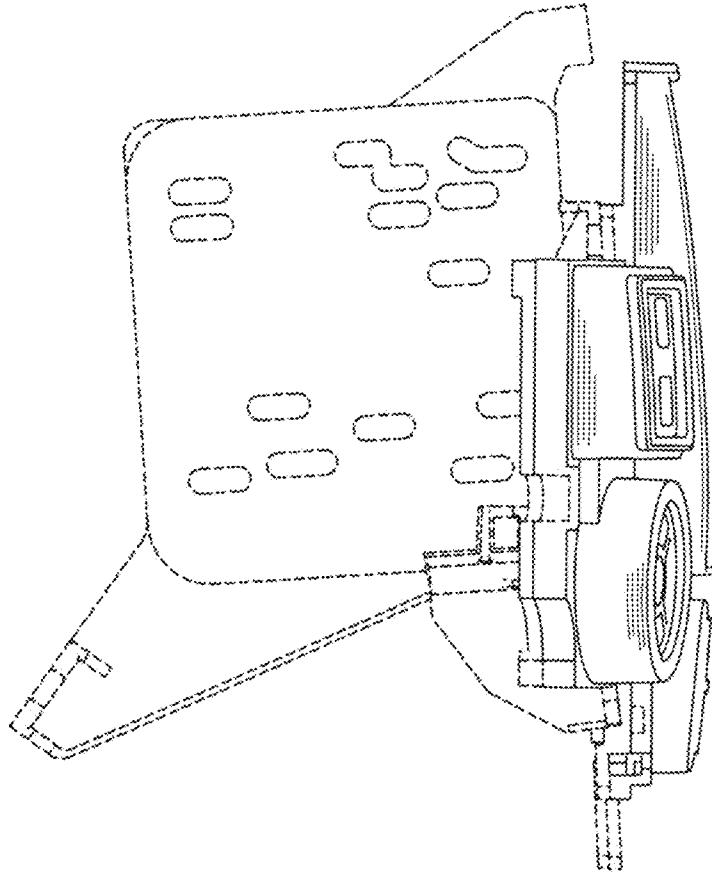


FIG. 5

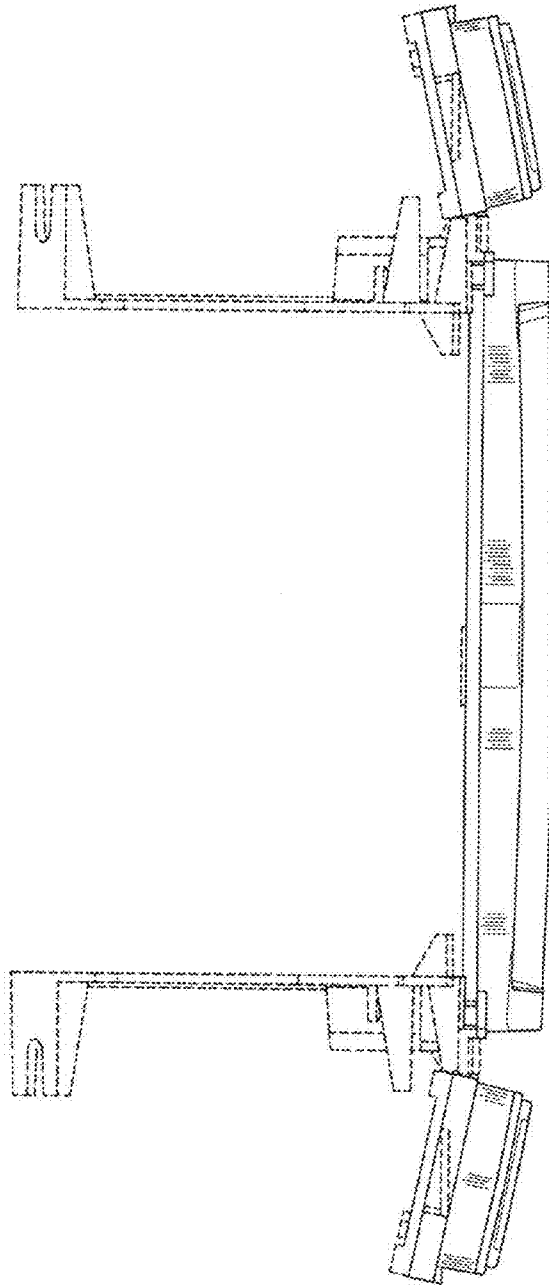


FIG. 6

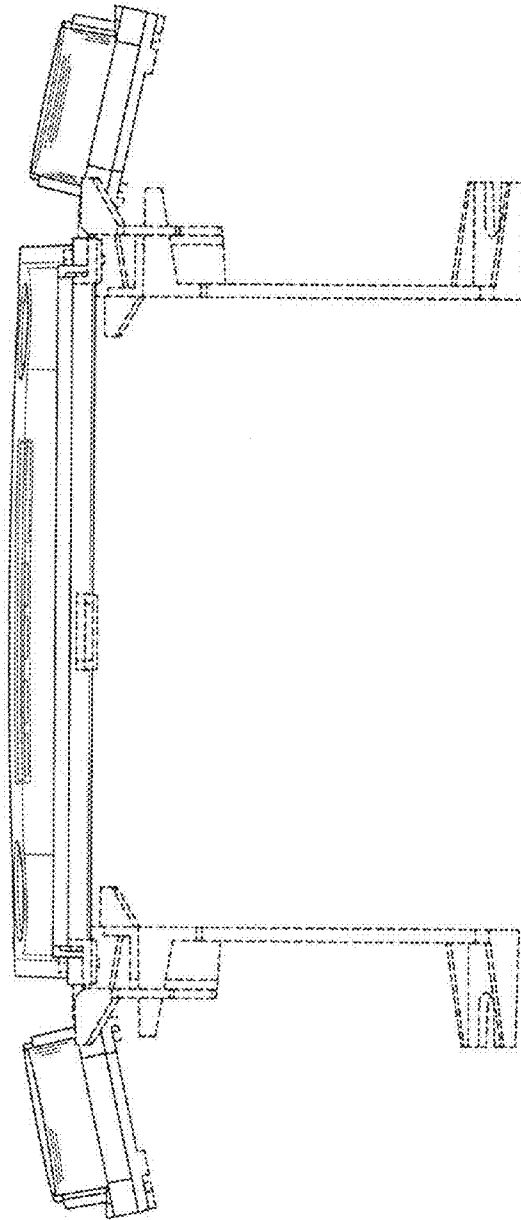


FIG. 7