



US00D938185S

(12) **United States Design Patent** (10) **Patent No.:** **US D938,185 S**
Citterio (45) **Date of Patent:** **** Dec. 14, 2021**

- (54) **SOFA**
- (71) Applicant: **B&B Italia S.p.A.**, Milan (IT)
- (72) Inventor: **Antonio Citterio**, Novedrate (IT)
- (73) Assignee: **B & B ITALIA S.p.A.**, Milan (IT)
- (**) Term: **15 Years**
- (21) Appl. No.: **29/690,811**
- (22) Filed: **May 10, 2019**

D660,610 S *	5/2012	Nguyen	D6/369
D665,187 S *	8/2012	Li	D6/369
D681,362 S *	5/2013	Citterio	D6/381
D764,215 S *	8/2016	Kirar	D6/717.2
D774,794 S *	12/2016	Cazzaniga	D6/369
D858,130 S *	9/2019	Armani	D6/368
D872,494 S *	1/2020	White, III	D6/369
D873,578 S *	1/2020	Pedersen	D6/369
D875,413 S *	2/2020	Foersom	D6/369
D881,597 S *	4/2020	Pedersen	D6/369
D887,159 S *	6/2020	Kuo	D6/369
D888,452 S *	6/2020	Koophavonrek	D6/369
D898,396 S *	10/2020	Massaud	D6/369
D914,390 S *	3/2021	Wu	D6/381

* cited by examiner

(30) **Foreign Application Priority Data**

Nov. 12, 2018 (IT) 402018000003279

(51) **LOC (13) Cl.** **06-01**

(52) **U.S. Cl.**
USPC **D6/381**

(58) **Field of Classification Search**
USPC D6/334, 369, 379-381, 375, 717.2
CPC .. A47C 5/00; A47C 5/02; A47C 17/00; A47C
17/02

See application file for complete search history.

(56) **References Cited**

U.S. PATENT DOCUMENTS

D78,304 S *	4/1929	Mizner	D6/369
D249,410 S *	9/1978	Dranger	D6/369
D254,039 S *	1/1980	Beall	D6/369
D267,135 S *	12/1982	Claman	D6/369
D267,913 S *	2/1983	Claman	D6/369
D446,956 S *	8/2001	Black	D6/369
D562,022 S *	2/2008	Hackethal	D6/381
D569,648 S *	5/2008	Weiss	D6/381
D591,071 S *	4/2009	Weiss	D6/381

Primary Examiner — Mary Ann Calabrese
Assistant Examiner — Katelin G Kloberg

(74) *Attorney, Agent, or Firm* — Thomas | Horstemeyer, LLP

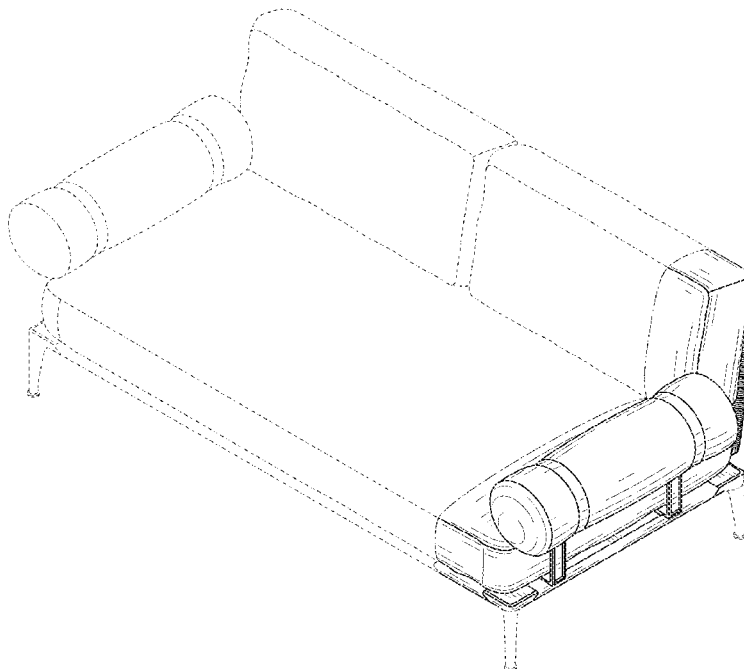
(57) **CLAIM**

The ornamental design for a sofa, as shown and described.

DESCRIPTION

FIG. 1 is a top perspective view of a a sofa, showing my new design;
FIG. 2 is a bottom perspective view thereof;
FIG. 3 is a front view thereof;
FIG. 4 is a rear view thereof;
FIG. 5 is a side view thereof;
FIG. 6 is a top view thereof; and,
FIG. 7 is a bottom view thereof.
The broken lines shown in the drawings illustrate environmental and forms no part of the claimed design.

1 Claim, 7 Drawing Sheets



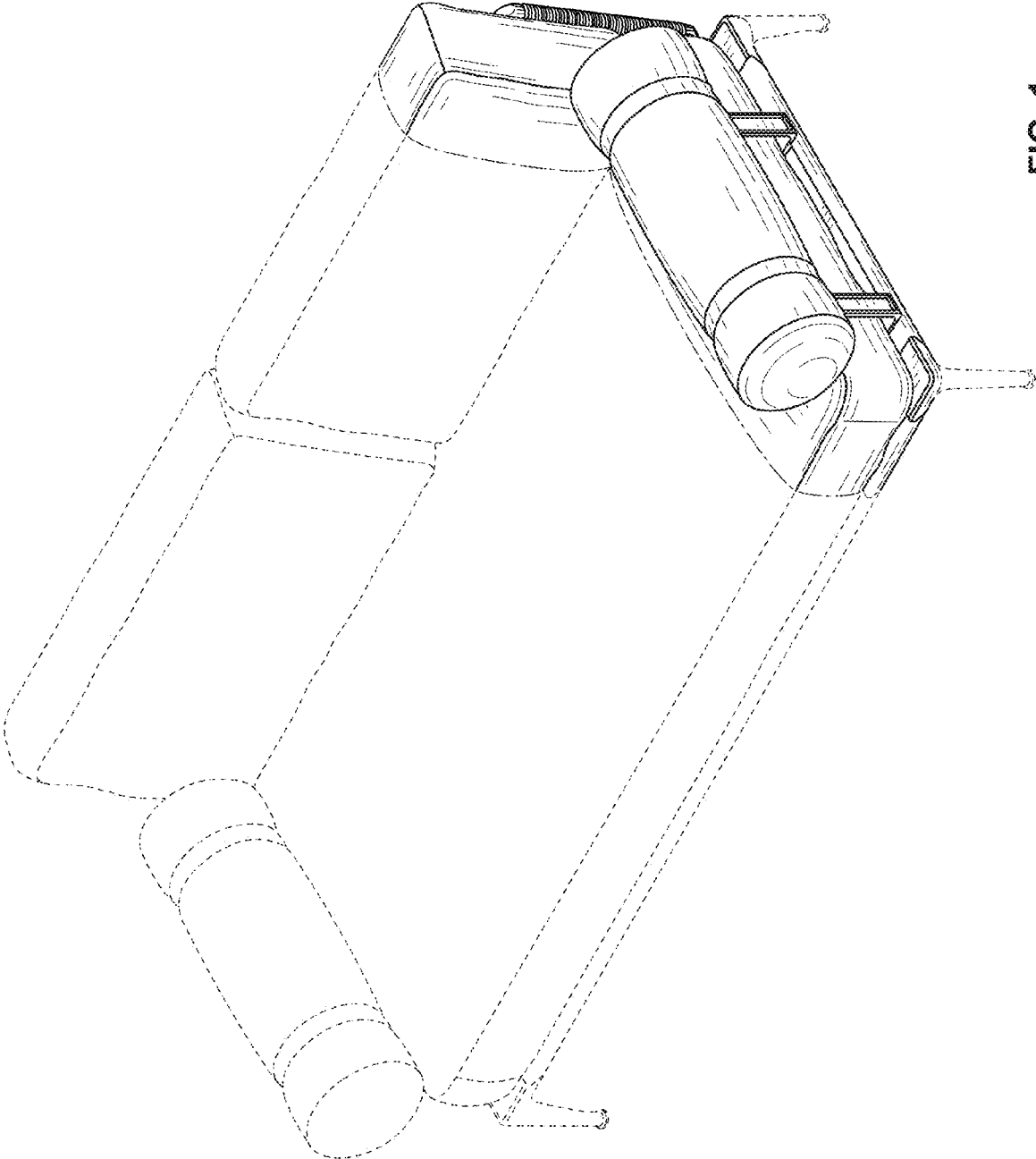


FIG. 1

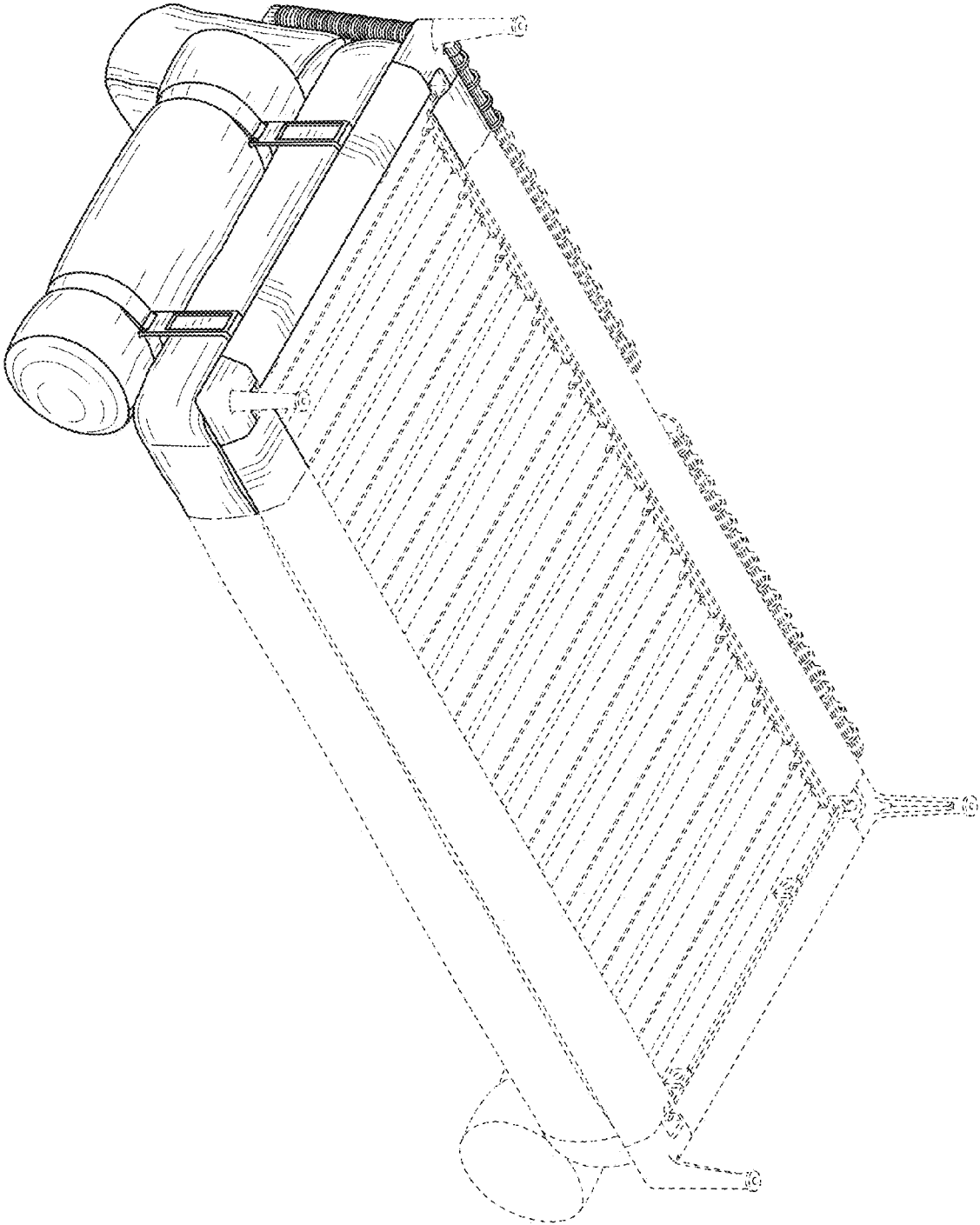


FIG. 2

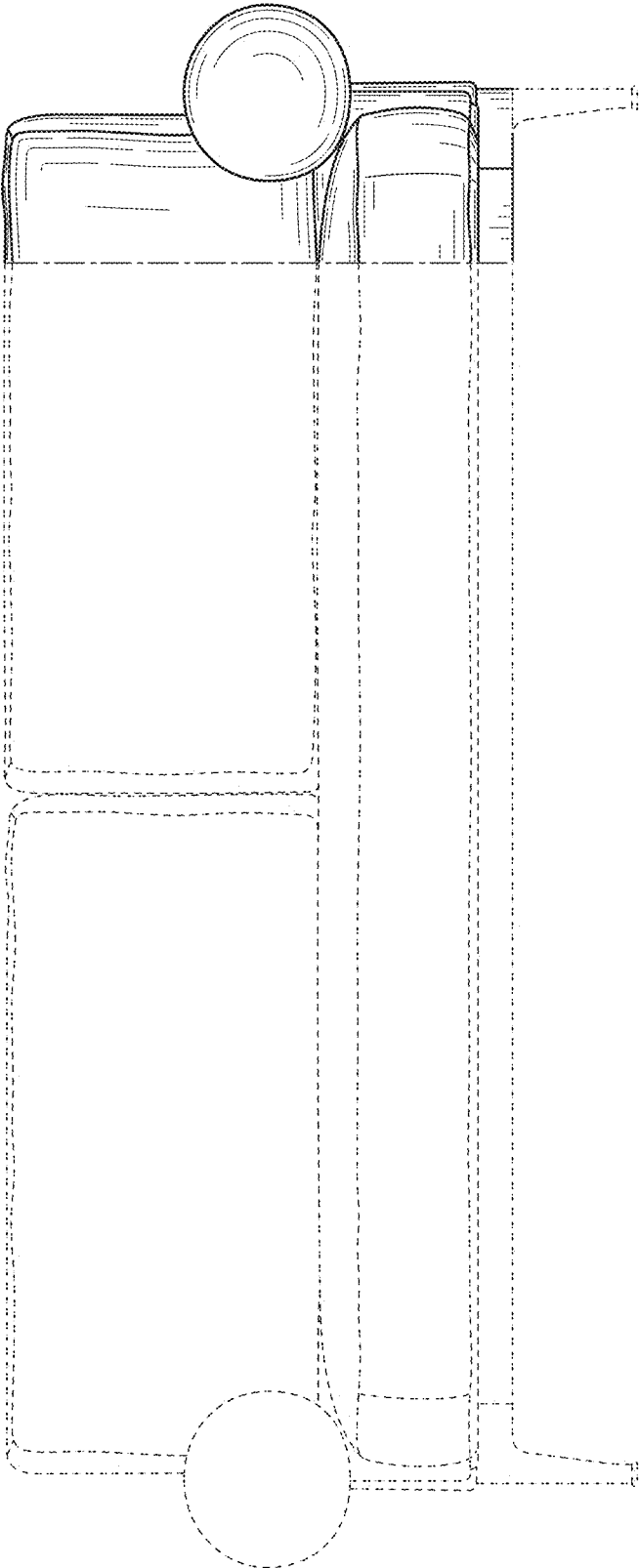


FIG. 3

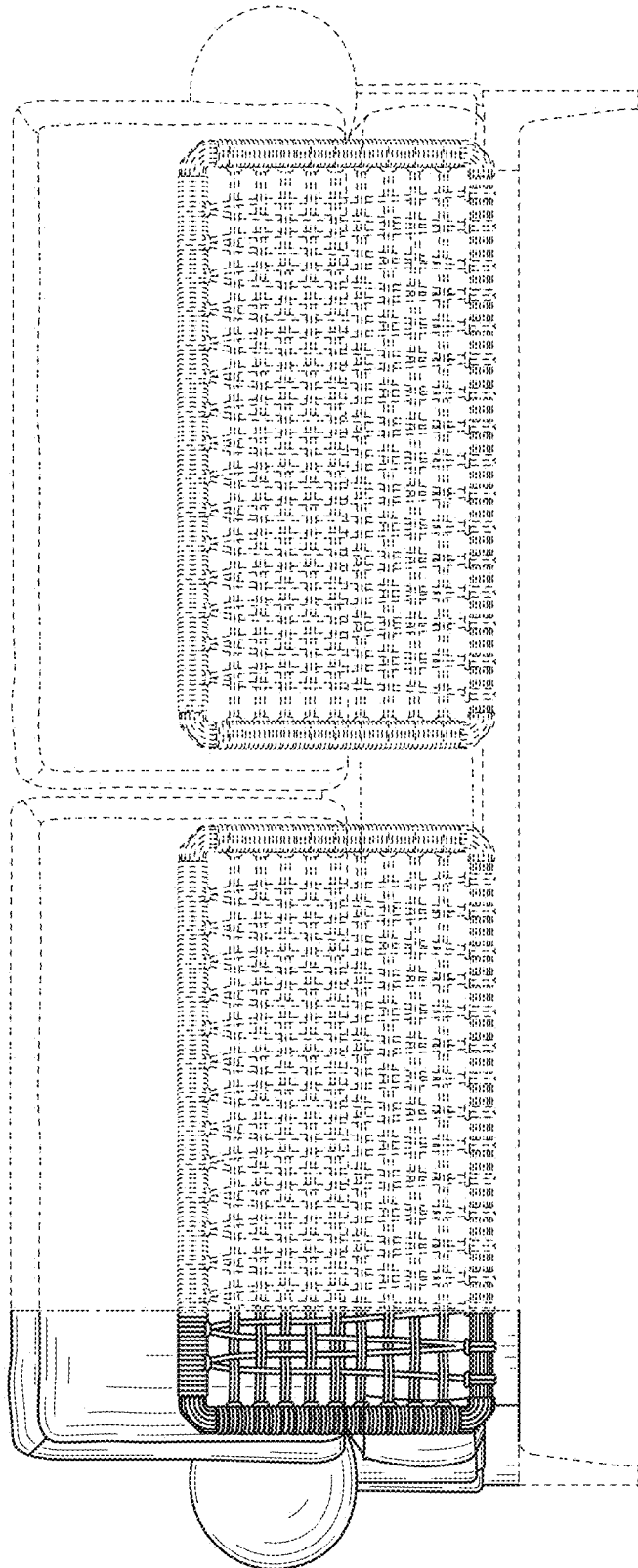


FIG. 4

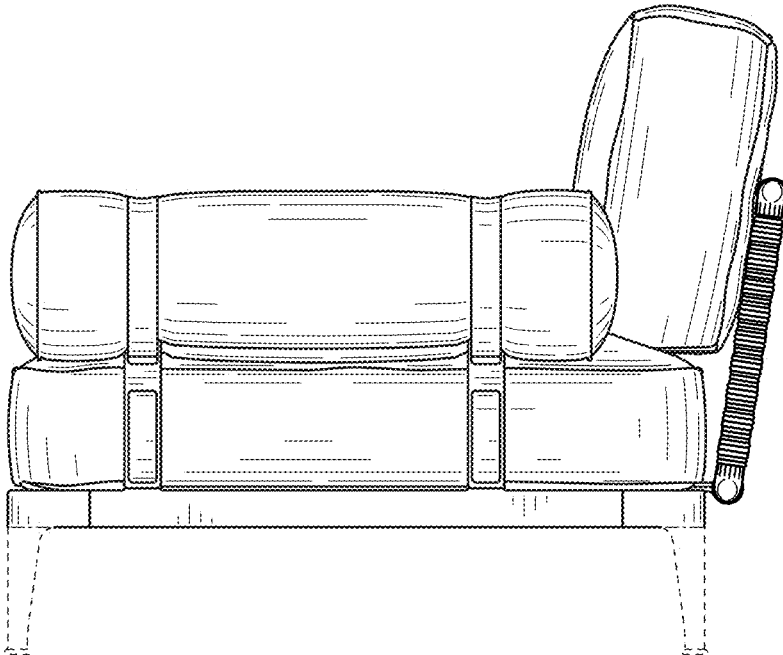


FIG. 5

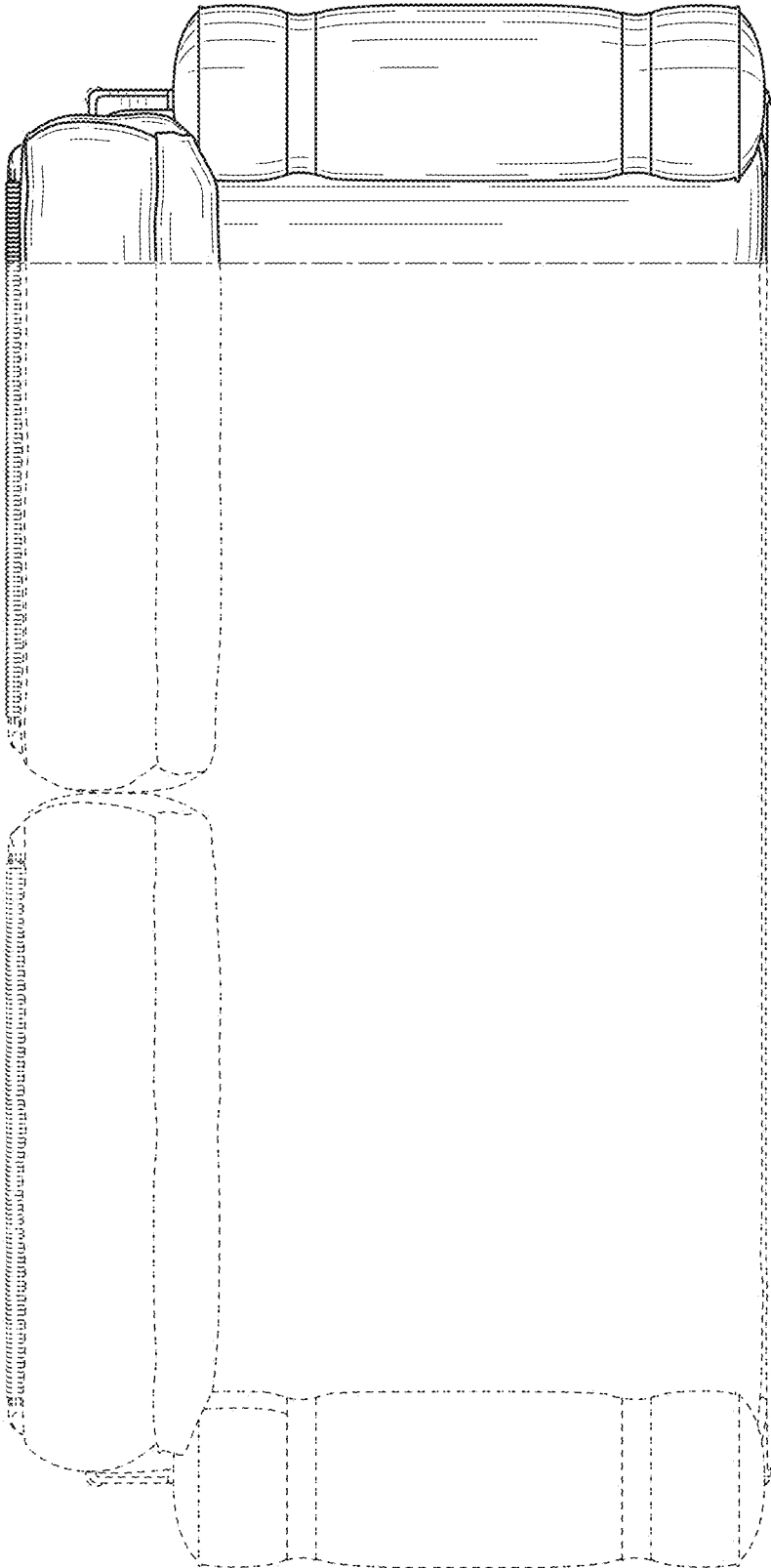


FIG. 6

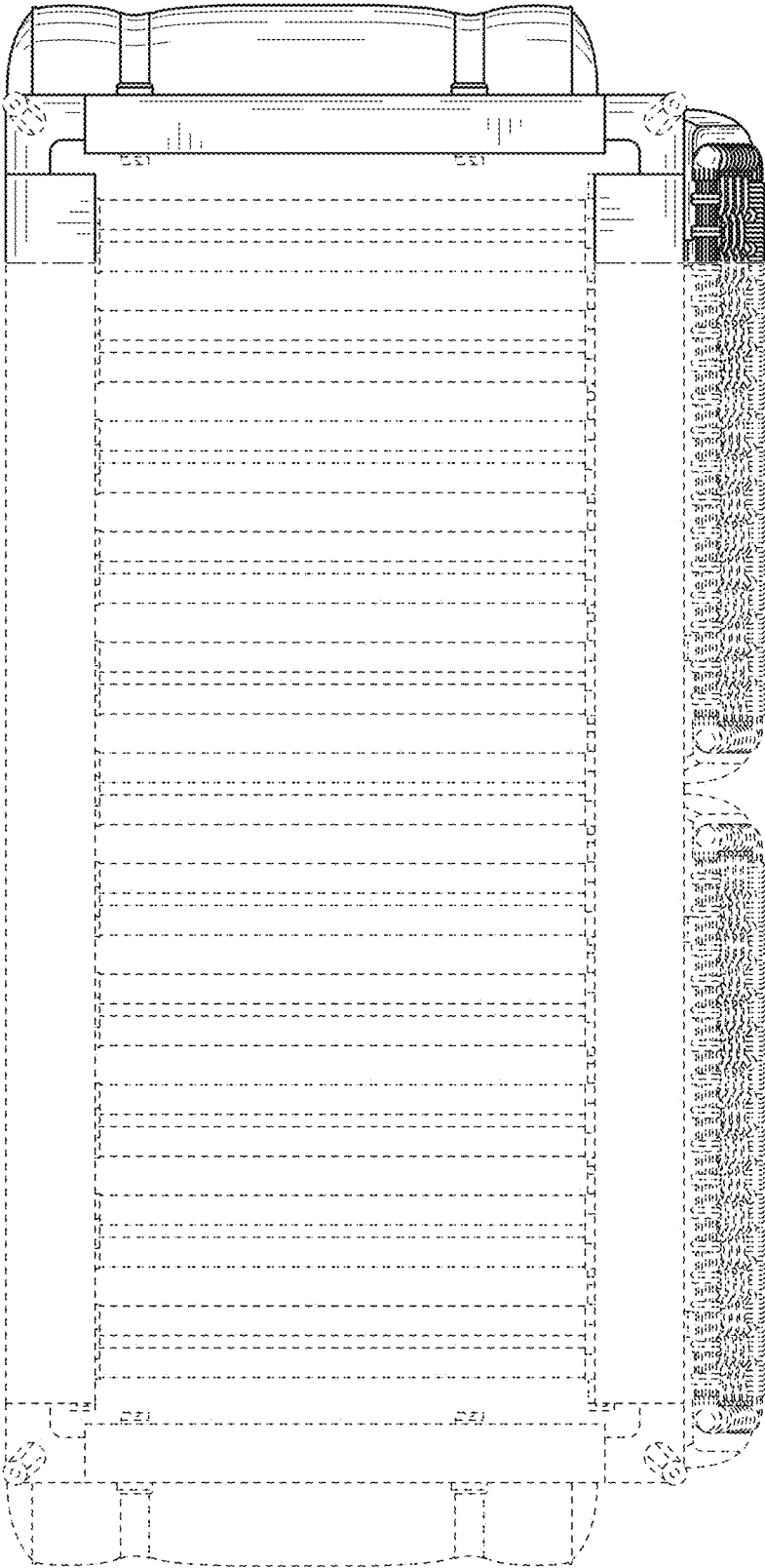


FIG. 7