



US0D1038916S

(12) **United States Design Patent**  
**Hong**

(10) **Patent No.:** **US D1,038,916 S**

(45) **Date of Patent:** **\*\* Aug. 13, 2024**

(54) **WIRELESS EARBUDS**

D992,533 S \* 7/2023 Hu ..... D14/223  
D997,136 S \* 8/2023 Hong ..... D14/223  
D1,024,956 S \* 4/2024 Chen ..... D14/223

(71) Applicant: **Shenzhen Beatime Technology Co., Ltd.**, Shenzhen (CN)

(Continued)

(72) Inventor: **Shuxian Hong**, Jieyang (CN)

FOREIGN PATENT DOCUMENTS

(73) Assignee: **Shenzhen Beatime Technology Co., Ltd.**, Shenzhen (CN)

CN 308477774 \* 2/2024  
CN 308593999 \* 4/2024  
EM 015047474-0001 \* 1/2024

(\*\*) Term: **15 Years**

OTHER PUBLICATIONS

(21) Appl. No.: **29/939,779**

“Boean Bluetooth Headphones Wireless Earbuds” Sep. 10, 2021, Amazon, site visited May 29, 2024: <https://www.amazon.com/Bluetooth-Headphones-Waterproof-Earphones-Cancelling/dp/B09CYL1C2X> (Year: 2021)\*

(22) Filed: **Apr. 29, 2024**

(Continued)

(51) **LOC (14) Cl.** ..... **14-01**

(52) **U.S. Cl.**  
USPC ..... **D14/223**

(58) **Field of Classification Search**  
USPC ..... D14/205, 206, 207, 217, 221, 223, 225;  
D24/106, 173, 174  
CPC . H04R 1/08; H04R 1/10; H04R 1/105; H04R  
1/1016; H04R 1/1033; H04R 1/1066;  
H04R 5/033; H04R 5/0335; H04R 25/00  
See application file for complete search history.

*Primary Examiner* — Jack Reickel  
*Assistant Examiner* — Russell Carnell Smith, Jr.  
(74) *Attorney, Agent, or Firm* — Jeenam Park

(57) **CLAIM**

The ornamental design for wireless earbuds, as shown and described.

(56) **References Cited**

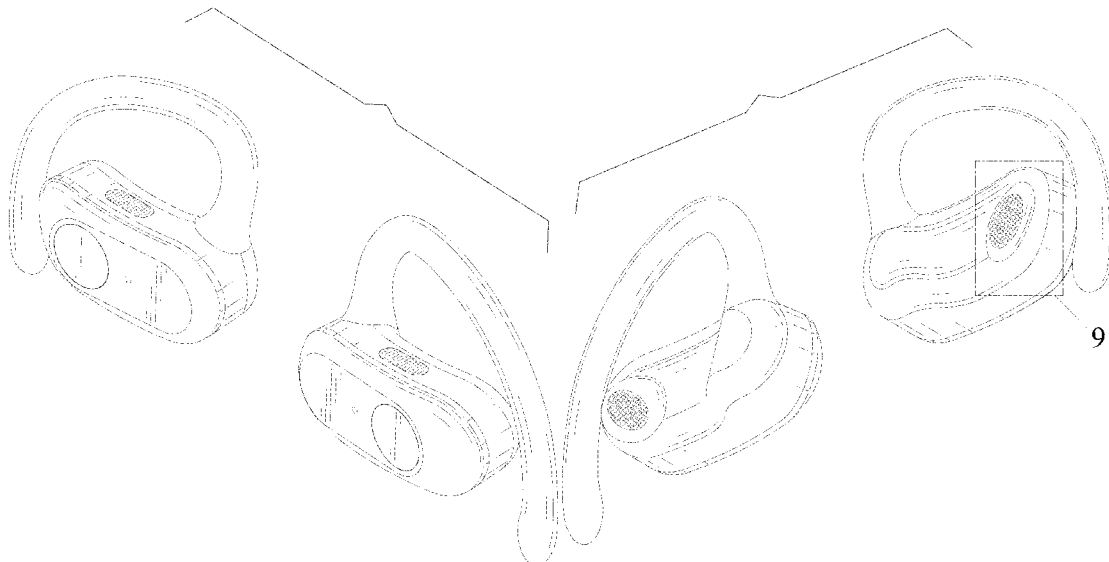
**DESCRIPTION**

U.S. PATENT DOCUMENTS

FIG. 1 is a front, right and top perspective view of wireless earbuds, showing my new design;  
FIG. 2 is a rear, left and bottom perspective view thereof;  
FIG. 3 is a front view thereof;  
FIG. 4 is a rear view thereof;  
FIG. 5 is a left side view thereof;  
FIG. 6 is a right side view thereof;  
FIG. 7 is a top plan view thereof;  
FIG. 8 is a bottom plan view thereof; and,  
FIG. 9 is an enlarged view of area “9” in FIG. 2.  
The broken lines depict portions of the wireless earbuds and form no part of the claimed design.

D888,685 S *	6/2020	Lin	.....	D14/205
D890,122 S	7/2020	Krakovskiy		
D915,356 S *	4/2021	Gao	.....	D14/223
D915,357 S *	4/2021	Gao	.....	D14/223
D916,055 S *	4/2021	Xiao	.....	D14/223
D928,123 S *	8/2021	Gao	.....	D14/223
D936,636 S *	11/2021	Lin	.....	D14/223
D954,029 S *	6/2022	Guo	.....	D14/223
D965,568 S *	10/2022	Hong	.....	D14/223
D967,066 S	10/2022	Cai		
D974,335 S *	1/2023	Ma	.....	D14/223
D984,421 S *	4/2023	Deng	.....	D14/223
D988,298 S *	6/2023	Hu	.....	D14/223
D989,044 S *	6/2023	Guo	.....	D14/223

**1 Claim, 9 Drawing Sheets**



(56)

**References Cited**

U.S. PATENT DOCUMENTS

2021/0392741 A1\* 12/2021 Zachara ..... H05K 1/0243  
2023/0396911 A1\* 12/2023 Cox ..... H04R 5/0335

OTHER PUBLICATIONS

“Aptkdoe Wireless Earbuds 75hrs Bluetooth 5.3 Headphone Sport”  
Mar. 4, 2024, Amazon, site visited May 29, 2024: <https://www.amazon.com/dp/B0CX1NWR6D> (Year: 2024).\*

“Promate True Wireless Stereo Sport Earbuds” Feb. 10, 2020,  
Amazon, site visited May 29, 2024: <https://www.amazon.ae/Promate-Wireless-Bluetooth-Earphones-Charging/dp/B07FF2WCYF> (Year: 2020).\*

“Turonic F1 Pro—True Wireless Earbuds—45h Playtime” Aug. 25,  
2021, Amazon, site visited May 29, 2024: <https://www.amazon.com/Turonic-Pro-Waterproof-Headphones-Microphone/dp/B09C8YTBF2> (Year: 2021).\*

\* cited by examiner

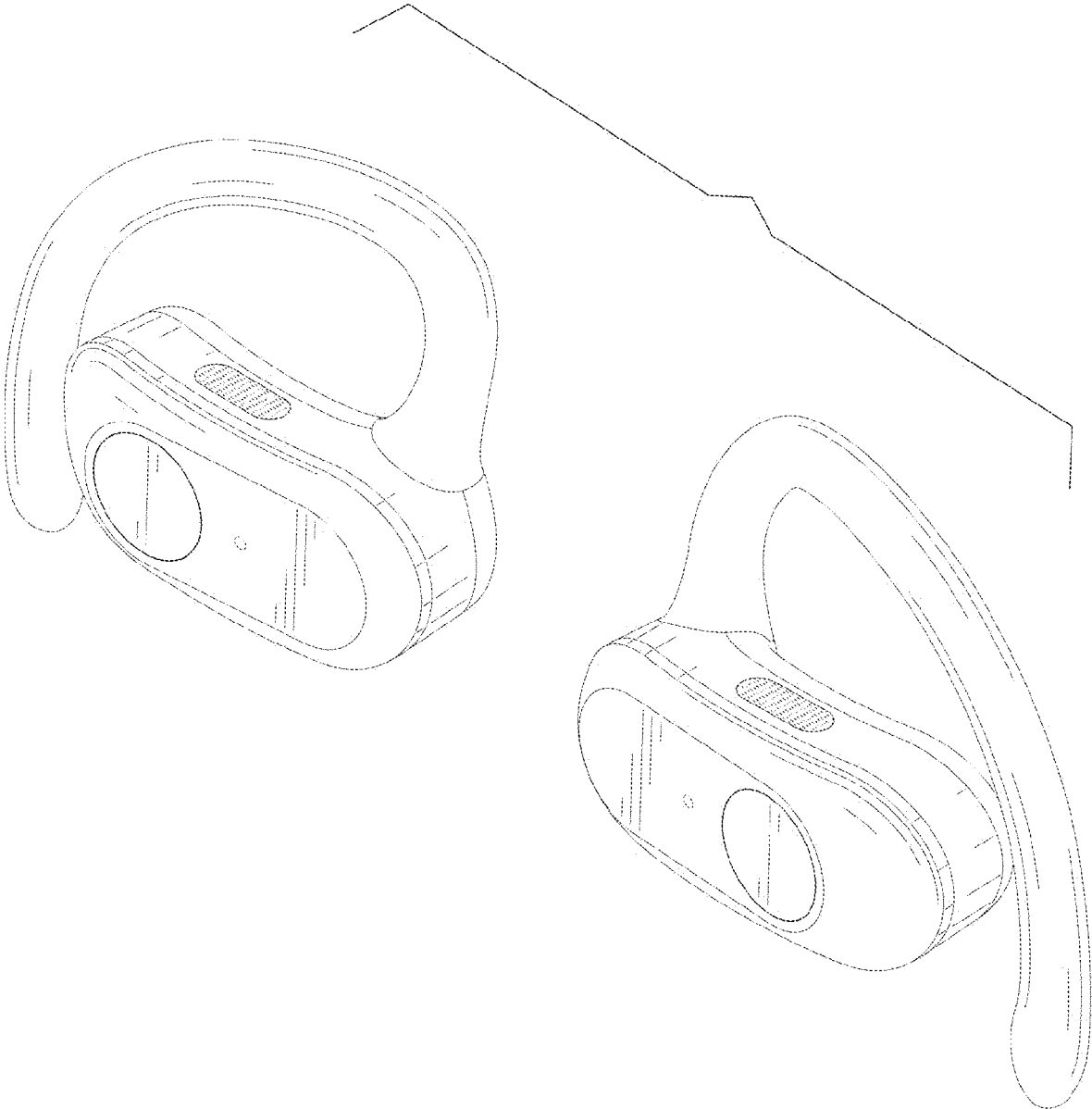


FIG. 1

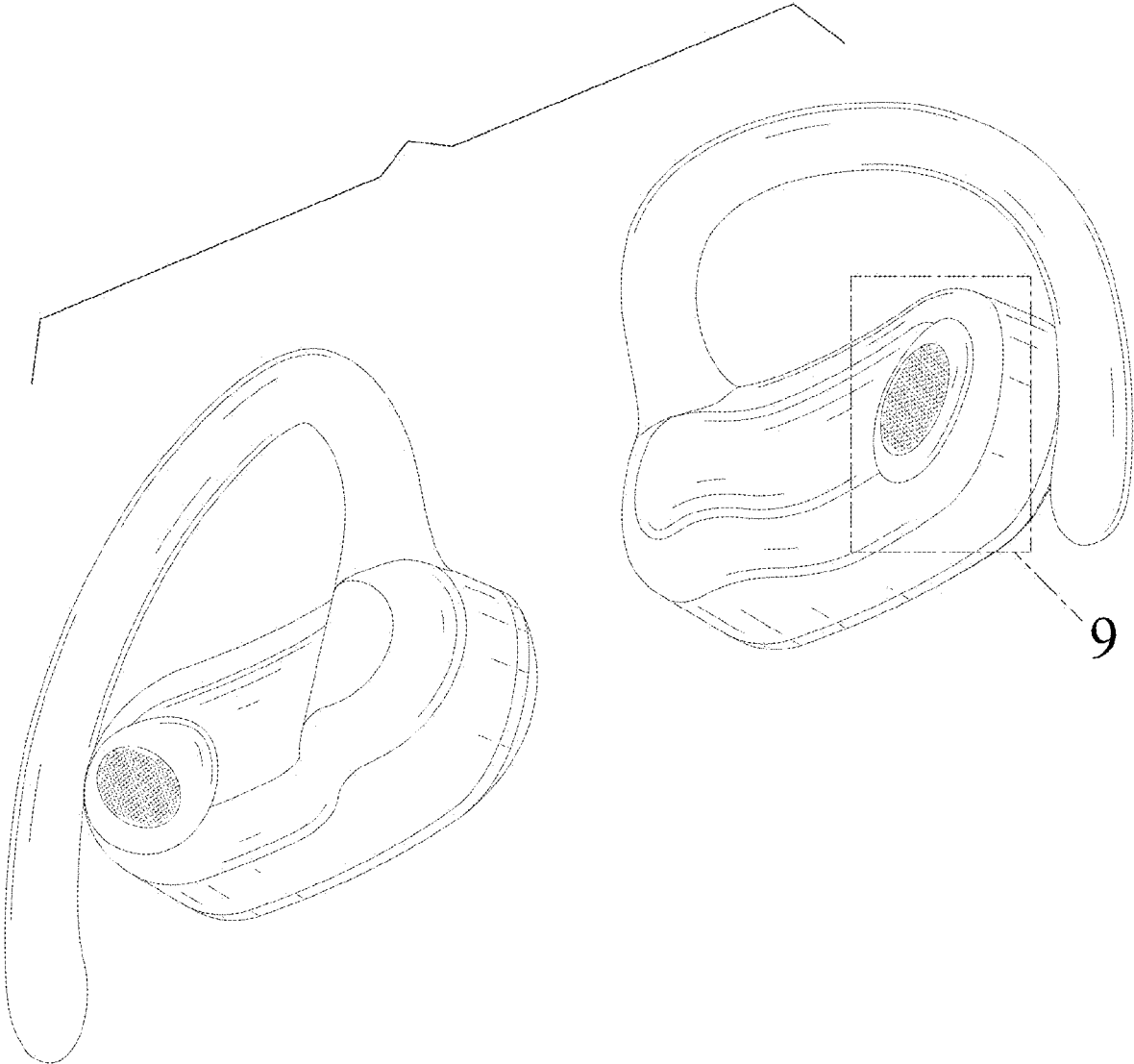


FIG. 2

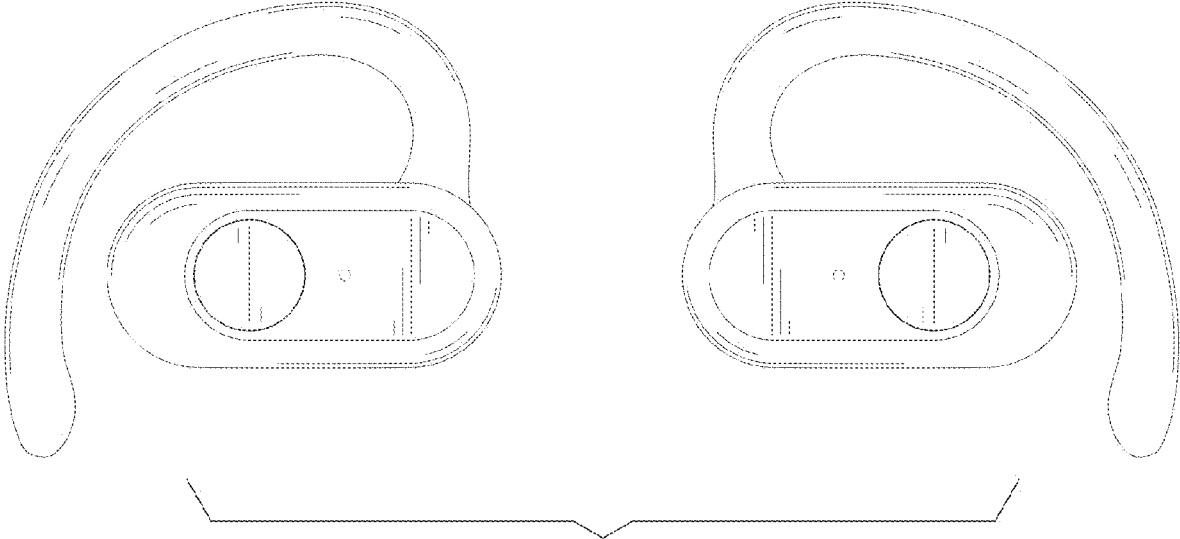


FIG. 3

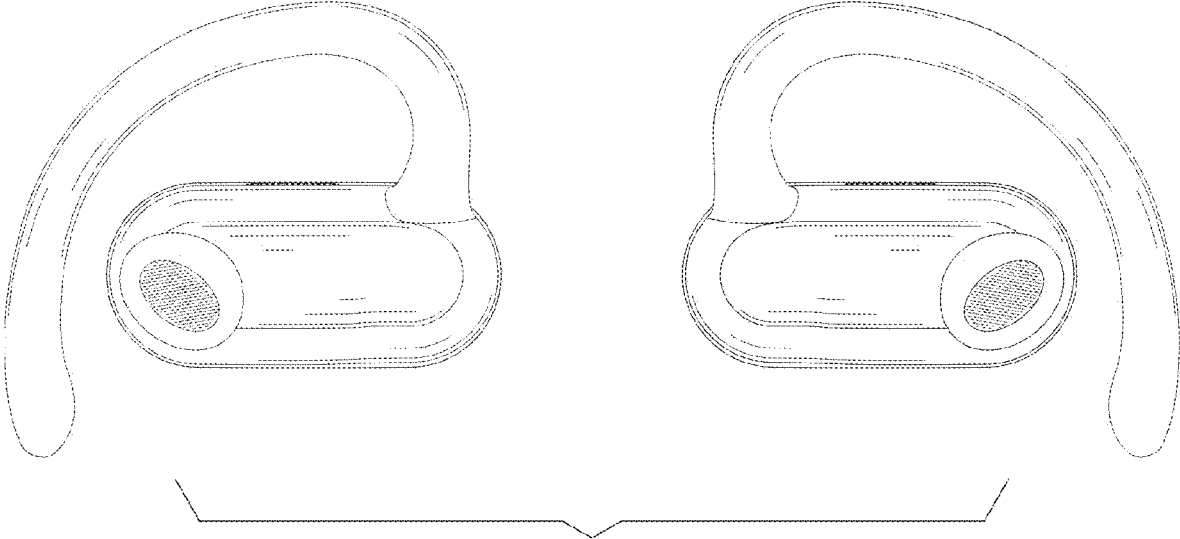


FIG. 4

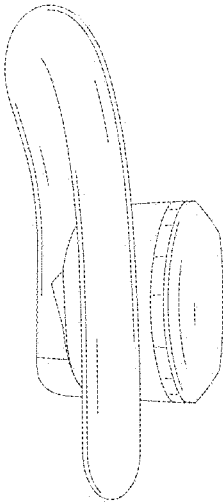


FIG. 5

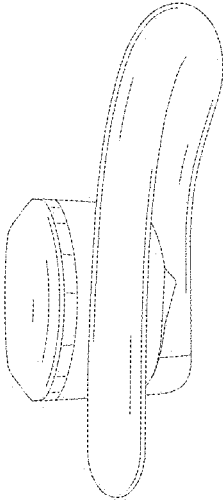


FIG. 6



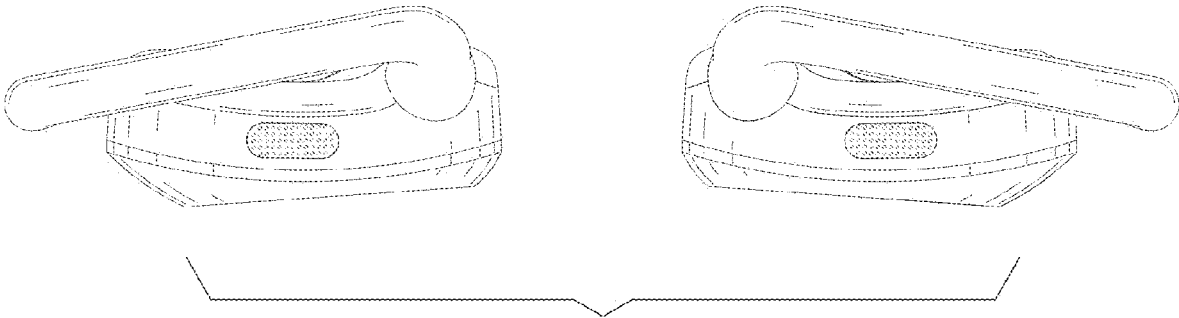


FIG. 7

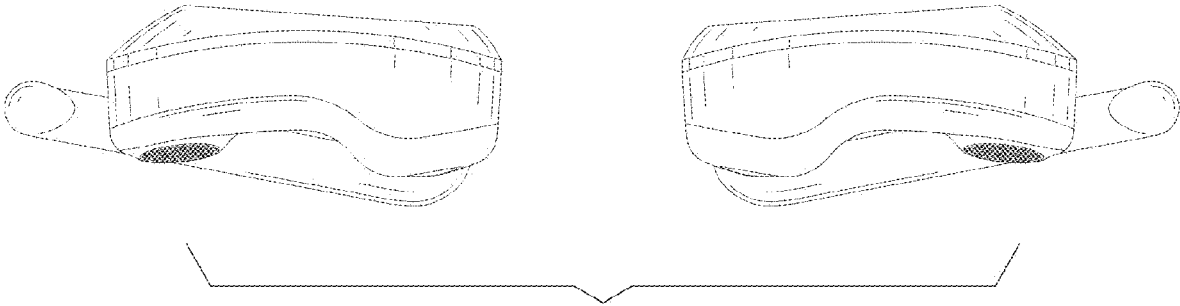


FIG. 8

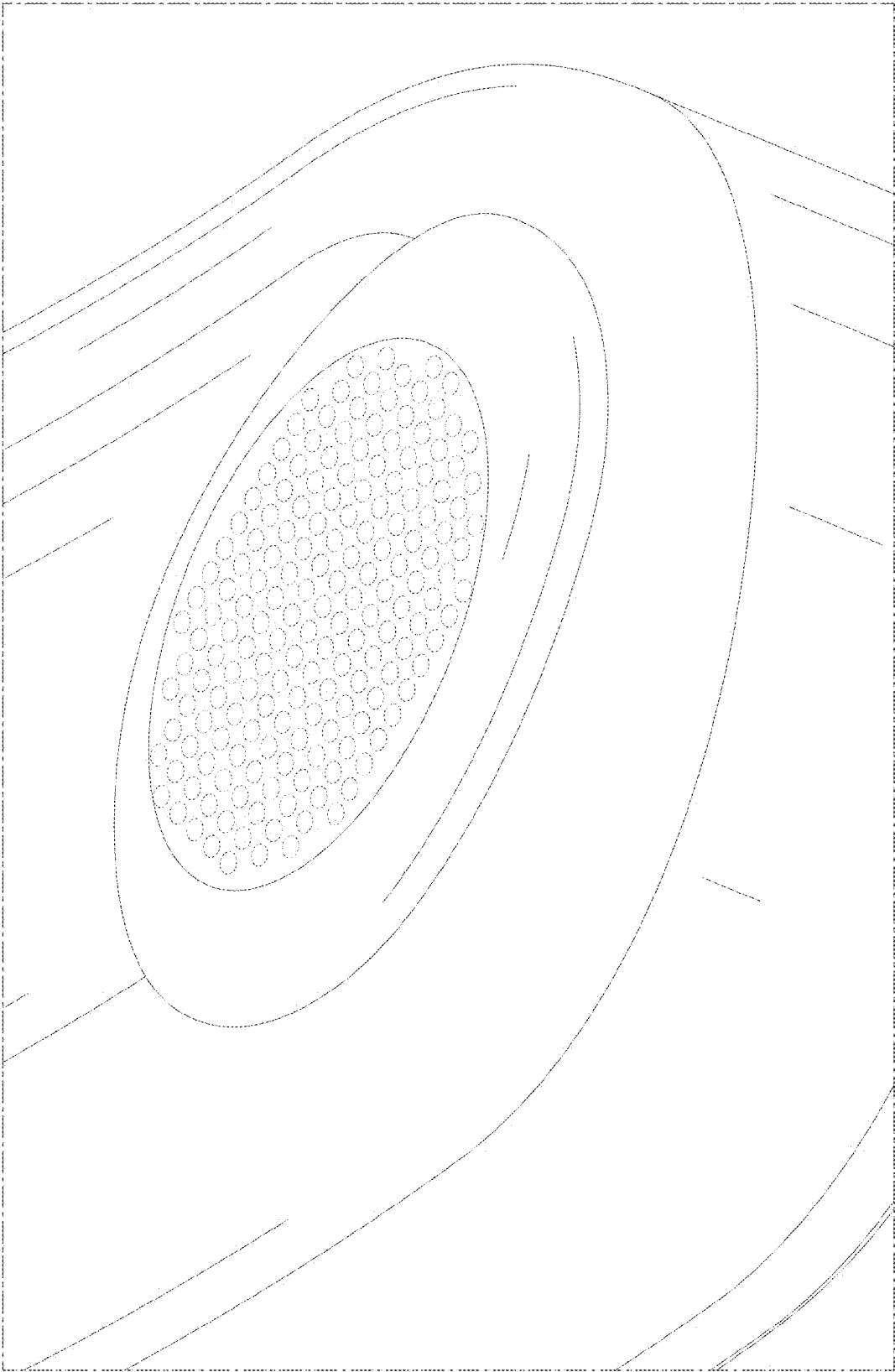


FIG. 9