



US00D903229S

(12) **United States Design Patent**
Stevens

(10) **Patent No.:** **US D903,229 S**

(45) **Date of Patent:** **** Dec. 1, 2020**

(54) **FOOD PRODUCT**

(71) Applicant: **Mars, Incorporated**, McLean, VA (US)

(72) Inventor: **Kelly Stevens**, Batley (GB)

(73) Assignee: **Mars, Incorporated**, McLean, VA (US)

(**) Term: **15 Years**

(21) Appl. No.: **29/730,241**

(22) Filed: **Apr. 2, 2020**

Related U.S. Application Data

(62) Division of application No. 29/655,936, filed on Jul. 9, 2018, now Pat. No. Des. 884,308, which is a division of application No. 29/587,631, filed on Dec. 14, 2016, now Pat. No. Des. 822,315.

(51) **LOC (12) Cl.** **01-01**

(52) **U.S. Cl.**

USPC **D1/122**

(58) **Field of Classification Search**

USPC D1/100-130, 199; 426/104, 108, 138, 426/391, 549, 808, 94, 143, 559, 560; D11/40, 43, 79; D24/101-104; 446/118, 446/128; D21/484, 499, 503, 622, 756; D14/212, 218; D23/393, 422; D30/160; D25/119, 122; D8/354, 382; D26/138; D15/138; 52/254, 843
CPC A21D 13/0029; A21D 13/0074; A21D 13/0022; A21D 13/0006; A23L 1/1641; A23L 1/005

See application file for complete search history.

(56) **References Cited**

U.S. PATENT DOCUMENTS

57,890 A * 9/1866 Gilson C10L 5/36 44/530
D10,882 S 10/1878 Mills

D51,395 S * 10/1917 Schwartzberg D28/8.1
D57,890 S 5/1921 Collier
1,405,988 A * 2/1922 Erwin A63F 3/02 273/260
1,996,997 A 4/1935 Inman
(Continued)

FOREIGN PATENT DOCUMENTS

DE 9509757 8/1996
EP 0002062140001 7/2004
(Continued)

OTHER PUBLICATIONS

More than Slightly Obsessed Hi I'm Skinny Sticks Review, Published: Aug. 17, 2013, Retrieved: Nov. 21, 2017, from: <http://cleaneatingveggiegirl.com/2013/08/17/more-than-slightly-obsessed-hi-im-skinny-sticks-review/>, 9 pgs.

(Continued)

Primary Examiner — Katie Jane Stofko

(74) *Attorney, Agent, or Firm* — Mars, Incorporated

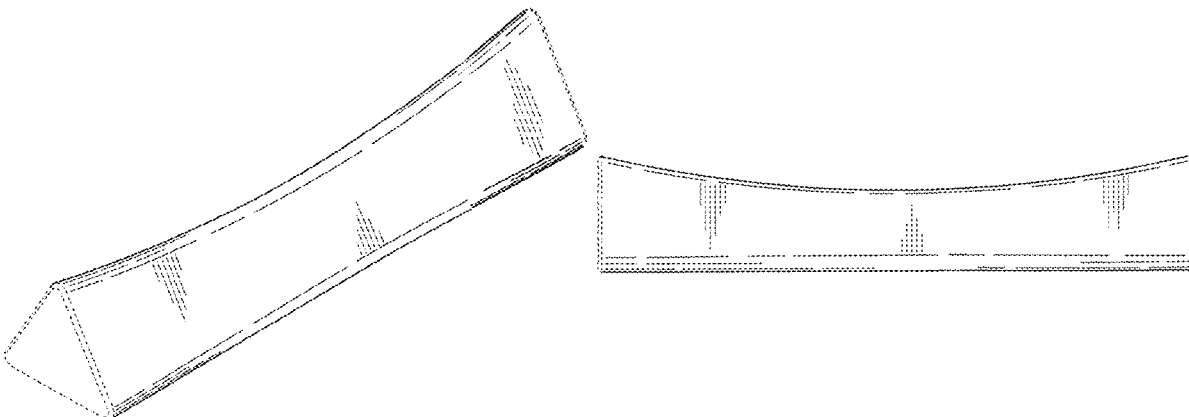
(57) **CLAIM**

The ornamental design for a food product, as shown and described.

DESCRIPTION

FIG. 1 is a perspective view of a food product showing my new design;
FIG. 2 is a front elevation view thereof;
FIG. 3 is a rear elevation view thereof;
FIG. 4 is a right side elevation view thereof;
FIG. 5 is a left side elevation view thereof;
FIG. 6 is a top plan view thereof; and,
FIG. 7 is a bottom plan view thereof.
The broken lines shown in FIGS. 1-7 illustrate portions of the food product that form no part of the claimed design.

1 Claim, 2 Drawing Sheets



(56)

References Cited

U.S. PATENT DOCUMENTS

D96,909 S 9/1935 Fuld
 D106,502 S * 10/1937 Fine D20/10
 D197,595 S 3/1964 Savitt
 D203,807 S 2/1966 Pellegrino
 D207,167 S 3/1967 Fisher
 3,386,590 A 6/1968 Charles
 3,557,901 A 1/1971 Young
 3,917,194 A 11/1975 Muller
 D249,723 S 9/1978 Cosman
 D249,724 S 9/1978 Cosman
 D249,726 S * 9/1978 Cosman D21/386
 D250,213 S 11/1978 Takagi et al.
 4,219,575 A 8/1980 Saunders et al.
 4,458,936 A 7/1984 Mulholland
 4,513,014 A 4/1985 Edwards
 4,660,323 A 4/1987 Kanies
 4,849,266 A 7/1989 Dwivedi et al.
 4,944,699 A 7/1990 Velke et al.
 4,991,352 A 2/1991 Hyer
 5,227,585 A 7/1993 Zen
 5,378,151 A 1/1995 Lukase et al.
 5,419,283 A 5/1995 Leo
 D361,262 S * 8/1995 Lusker D9/561
 5,712,030 A 1/1998 Goto et al.
 D392,435 S 3/1998 Mocking et al.
 D399,400 S 10/1998 Weber
 5,899,210 A 5/1999 Letherby et al.
 5,943,836 A 8/1999 Kassardjian
 D418,881 S 1/2000 Cousins
 D433,778 S 11/2000 Axelrod
 6,178,798 B1 1/2001 Kowalski et al.
 6,238,715 B1 5/2001 Baikie
 D444,688 S 7/2001 Boehler
 6,277,420 B1 8/2001 Andersen et al.
 D473,348 S 4/2003 Lang
 D478,472 S 8/2003 Cozzolino et al.
 D485,046 S 1/2004 Hague
 D485,661 S 1/2004 Harris
 6,827,041 B2 12/2004 Hague et al.
 D500,579 S 1/2005 Tansey et al.
 D501,700 S 2/2005 Turner
 D501,841 S 2/2005 Hsu
 D503,645 S 4/2005 Wirth et al.
 D515,275 S 2/2006 Leiweke et al.
 D516,276 S 3/2006 Unlu et al.
 D525,762 S 8/2006 Evans
 D530,482 S 10/2006 Zhang et al.
 D532,583 S 11/2006 Townsend et al.
 7,152,280 B1 12/2006 Taylor
 D534,706 S 1/2007 Cuadrado
 D535,770 S 1/2007 Yuen
 D537,892 S 3/2007 Moses
 D551,561 S 9/2007 Bieger et al.
 D558,444 S 1/2008 Ma
 D564,708 S 3/2008 Kuo
 D576,721 S 9/2008 Nishio et al.
 D578,927 S 10/2008 Brandstatter
 D586,454 S 2/2009 Nishio et al.
 D586,534 S 2/2009 Oelsner et al.
 D602,396 S 10/2009 Conway et al.
 D603,241 S 11/2009 Pearce
 D609,878 S 2/2010 Tham et al.
 D614,333 S 4/2010 Schnitzer
 D622,606 S 8/2010 Masotti et al.
 D625,957 S 10/2010 Minns
 D630,409 S 1/2011 Tansey et al.
 D632,997 S 2/2011 Correia
 D633,820 S 3/2011 Correia
 D641,536 S 7/2011 Evans
 D641,537 S 7/2011 Evans
 D652,715 S 1/2012 Quinter et al.
 D656,648 S 3/2012 Tompkin
 D658,847 S 5/2012 Wylie

D667,976 S 9/2012 Wu
 D670,986 S 11/2012 Somers, III
 D672,334 S 12/2012 Tzeng
 D674,126 S 1/2013 Mase
 D677,047 S 3/2013 Watson
 D686,192 S 7/2013 Widner et al.
 D687,583 S 8/2013 Waldthausen
 D692,206 S 10/2013 Slusarczyk et al.
 D693,042 S 11/2013 Wu
 D700,671 S 3/2014 Miller
 D708,417 S 7/2014 Allen
 D708,481 S * 7/2014 Lin D7/523
 D711,068 S 8/2014 Jacko et al.
 D721,218 S 1/2015 Rogers et al.
 D726,477 S 4/2015 Buck
 D726,685 S 4/2015 Cheng
 D730,617 S 6/2015 Slusarczyk et al.
 9,044,039 B2 6/2015 Xu
 D746,541 S 1/2016 Sambashivan
 D748,891 S 2/2016 Rogers et al.
 D760,451 S 6/2016 Harvey et al.
 D760,992 S 7/2016 Martin et al.
 D767,246 S 9/2016 Michel
 D771,054 S 11/2016 King
 D774,914 S 12/2016 Kuzma et al.
 D778,526 S 2/2017 Martin et al.
 D780,183 S 2/2017 Ferguson et al.
 D785,901 S 5/2017 Wilson et al.
 D789,651 S 6/2017 Wilson et al.
 D793,365 S 8/2017 Kato et al.
 D802,880 S 11/2017 Mathew et al.
 D805,901 S * 12/2017 Fuchs D9/499
 D812,322 S 3/2018 Hirschberg
 D821,687 S 7/2018 Stevens
 D822,315 S 7/2018 Heath et al.
 D828,048 S * 9/2018 Ishida D6/352
 D831,927 S 10/2018 Monaghan et al.
 D835,880 S 12/2018 Colquhoun et al.
 D861,792 S * 10/2019 Hong D20/10
 D863,066 S * 10/2019 Fraser D9/721
 D865,071 S 10/2019 Moelmann
 D867,152 S 11/2019 Bouheraoua
 D884,137 S * 5/2020 Mushtaq D23/366
 D884,308 S * 5/2020 Brown D1/122
 2004/0154525 A1 8/2004 Wirth et al.
 2005/0151407 A1 7/2005 Tai

FOREIGN PATENT DOCUMENTS

JP 0001223959 10/2004
 JP D1224610 10/2004
 JP D1224774 10/2004
 KR 300470351 11/2007
 WO 8806851 A1 9/1988
 WO DM076390 2/2012

OTHER PUBLICATIONS

Pencil Grip 101, The Anonymous OT, Apr. 19, 2013. Web. Dec. 29, 2017, <https://theanonymousot.com/2013/04/19/pencil-grip-101/>, 15 pgs.
 Petsmart, accessed Aug. 27, 2017, 1999-2008, Web Page, 2 pgs.
 Summer Jun. 2005 The Unbeatable Selection and Value Your Business Needs!, pp. 207.
 Those that Wait., Meridian Financial Partners, Apr. 3, 2016, Web, Dec. 29, 2017, <https://meridianfinancialpartners.com/2016/08/03/those-that-wait/>, 5 pgs.
 Triangle Noodle Detergent Speckles, Sichuan Faith and Fortune Trading Co. Ltd., Mar. 3, 2014. Web. Dec. 29, 2017, https://acdxst.en.ec21.com/Triangle_Noodle_Detergent_Speckles-8785251_8909349.html, 6 pgs.
 Vantschip, Nina, Dog Bones, "Dog Bones" Doodle Kisses, Nov. 11, 2009, Web Dec. 29, 2017, 6 pgs.

* cited by examiner

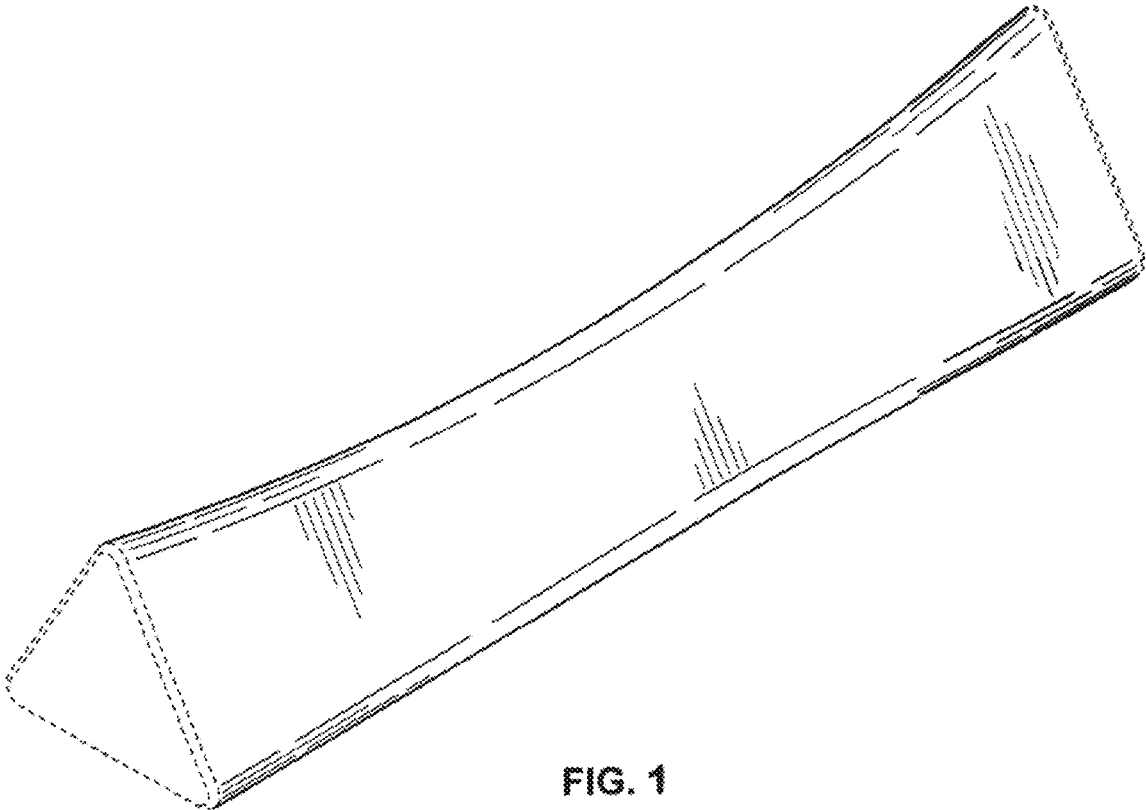


FIG. 1

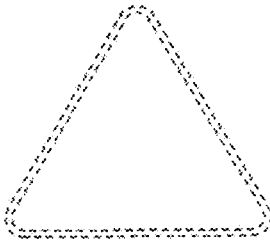


FIG. 2

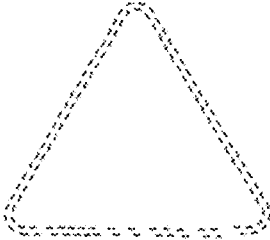


FIG. 3

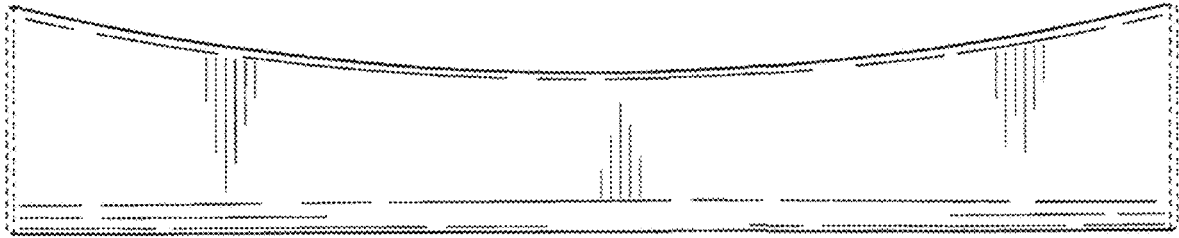


FIG. 4

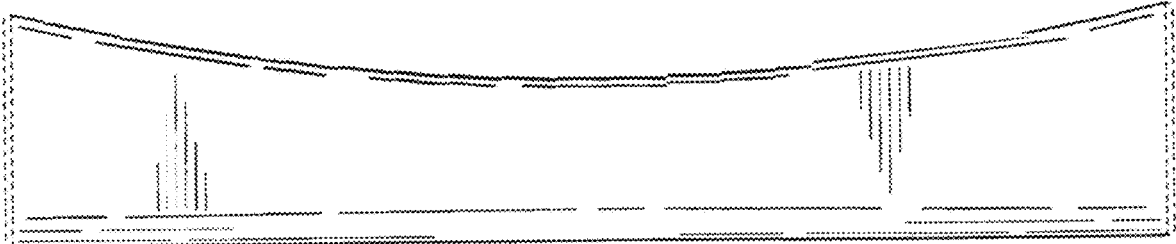


FIG. 5

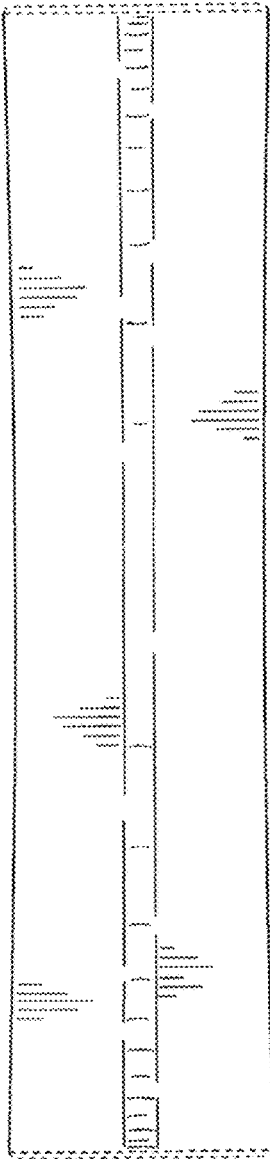


FIG. 6

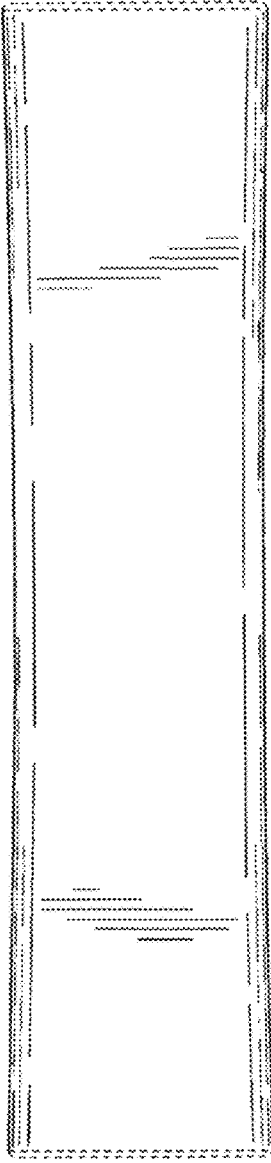


FIG. 7