



US00D885694S

(12) **United States Design Patent**
Michal et al.

(10) **Patent No.:** **US D885,694 S**

(45) **Date of Patent:** **** May 26, 2020**

(54) **SPRAYER FOR DISHWASHER**

6,263,888 B1 7/2001 Nomura et al.
7,047,986 B2 5/2006 Ertle et al.
7,143,780 B1 * 12/2006 Pitts F16K 27/12
137/382
D718,007 S * 11/2014 Baldwin D32/3
(Continued)

(71) Applicant: **Electrolux Home Products, Inc.**,
Charlotte, NC (US)

(72) Inventors: **Justin Daniel Michal**, Myrtle Beach,
SC (US); **Qian Jiang**, Stockholm (SE)

(73) Assignee: **Electrolux Home Products, Inc.**,
Charlotte, NC (US)

CN 1600260 A 3/2005
DE 4416655 A1 11/1995
(Continued)

(**) Term: **15 Years**

FOREIGN PATENT DOCUMENTS

(21) Appl. No.: **29/618,135**

(22) Filed: **Sep. 19, 2017**

(51) **LOC (12) Cl.** **15-05**

(52) **U.S. Cl.**
USPC **D32/3**

(58) **Field of Classification Search**
USPC D32/1-3, 25-28
CPC . A47L 15/248; A47L 15/4221; A47L 15/4223
See application file for complete search history.

OTHER PUBLICATIONS

Pictures of Sprayer Head from Electrolux Dishwasher, by Electrolux USA, 1 color sheet of photographs, disclosed on or about May 2013.

Primary Examiner — Michelle E. Wilson
(74) *Attorney, Agent, or Firm* — Banner & Witcoff, Ltd.

(57) **CLAIM**

The ornamental design for a sprayer for dishwasher, as shown and described.

DESCRIPTION

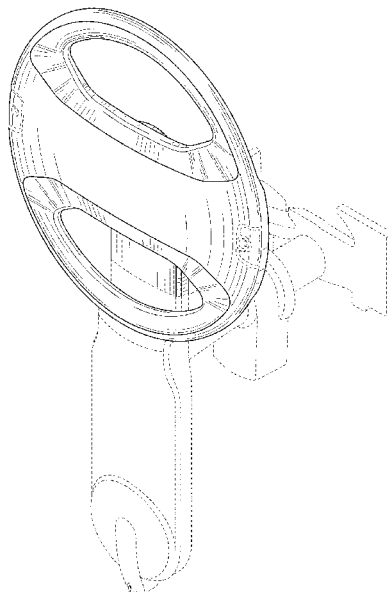
FIG. 1 is a front perspective view of a the body shape of a sprayer for a dishwasher showing our new design;
FIG. 2 is a front view thereof;
FIG. 3 is a rear view thereof;
FIG. 4 is a right side view thereof;
FIG. 5 is a left side view thereof;
FIG. 6 is a top view thereof; and,
FIG. 7 is a bottom view thereof.
The broken line showing of the various elements of the sprayer for a dishwasher represents unclaimed subject matter and forms no part of the claimed design. The broken line showing of the remainder of the sprayer for a dishwasher represents unclaimed subject matter and forms no part of the claimed design.

(56) **References Cited**

U.S. PATENT DOCUMENTS

2,440,161 A	4/1948	Vaudreuil
2,631,059 A	3/1953	Karlstrom
3,468,486 A	9/1969	Mercer
3,496,949 A	2/1970	Mercer
3,667,473 A	6/1972	Matteson
3,771,725 A	11/1973	Jenkins et al.
3,876,148 A	4/1975	Cushing et al.
5,333,631 A	8/1994	Kirkland et al.
5,449,011 A	9/1995	Jacobus et al.
5,464,482 A	11/1995	Michael et al.
5,477,874 A	12/1995	Yura et al.
5,542,443 A	8/1996	Yura et al.
5,579,789 A	12/1996	Spiegel
5,673,714 A	10/1997	Campagnolo et al.
5,959,881 A	9/1999	Trimberger et al.

1 Claim, 7 Drawing Sheets



(56)

References Cited

U.S. PATENT DOCUMENTS

D720,509	S	*	12/2014	Baldwin	D32/3
D739,619	S	*	9/2015	Mersch	D32/3
D748,351	S	*	1/2016	Baldwin	D32/3
D748,352	S	*	1/2016	Baldwin	D32/3
D799,762	S	*	10/2017	Baldwin	D32/3
D808,598	S	*	1/2018	Baldwin	D32/3
D827,953	S	*	9/2018	Lee	D32/3
D836,262	S	*	12/2018	Lee	D32/3
2009/0145981	A1		6/2009	Mack et al.		
2010/0043825	A1		2/2010	Bertsch et al.		
2010/0043826	A1		2/2010	Bertsch et al.		
2014/0069473	A1*		3/2014	Baldwin	A47L 15/4246 134/56 D

FOREIGN PATENT DOCUMENTS

DE			29718777	U1		3/1998
DE	102004043772	A1				3/2006
DE	102009007297	A1				8/2010
EA	EP 2279687	A1				2/2011
EP	0727177	A2				8/1996
EP	0727182	A2				8/1996
EP	0766945	A2				4/1997
EP	1123684	A2				8/2001
EP	2215952	A1				8/2010
GB	550511	A				1/1943
JP	4067828	A2				3/1992
JP	4279134	A2				10/1992
JP	4327824	A2				11/1992
JP	5130964	A				5/1993
JP	7163505	A2				6/1995
JP	7250799	A2				10/1995
JP	8206052	A2				8/1996
JP	2002272666	A2				9/2002
JP	2004000654	A2				1/2004

* cited by examiner

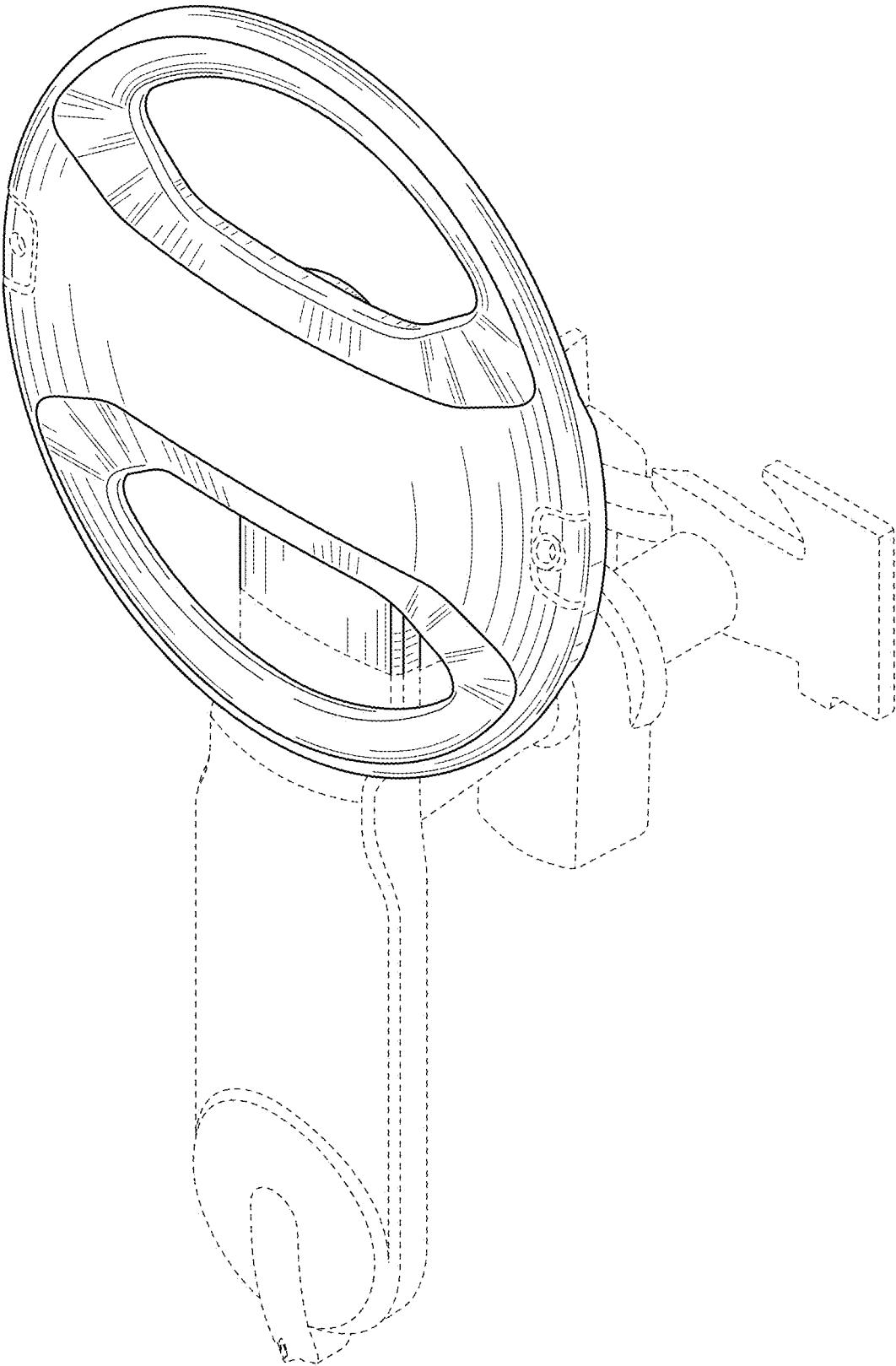


FIG. 1

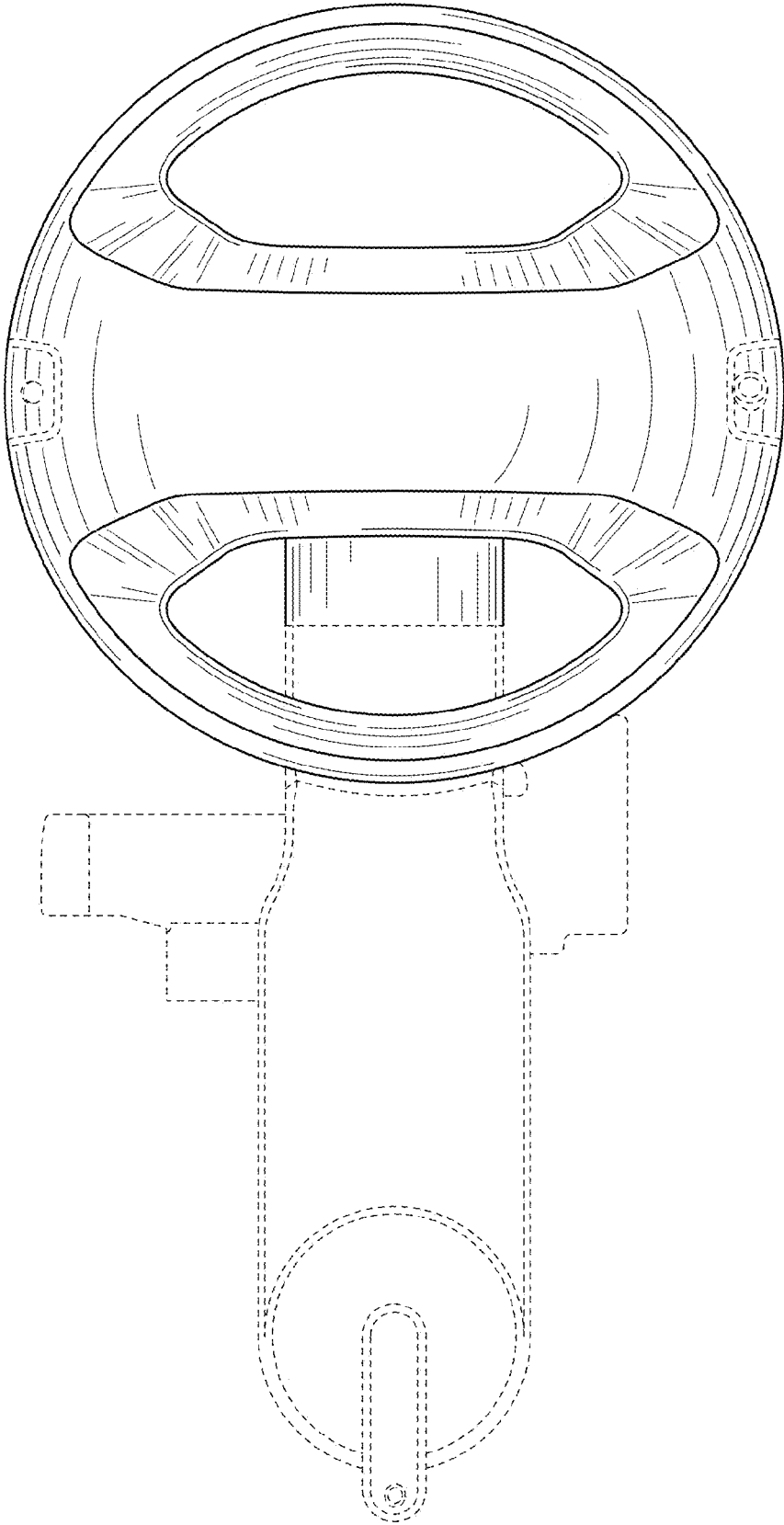


FIG. 2

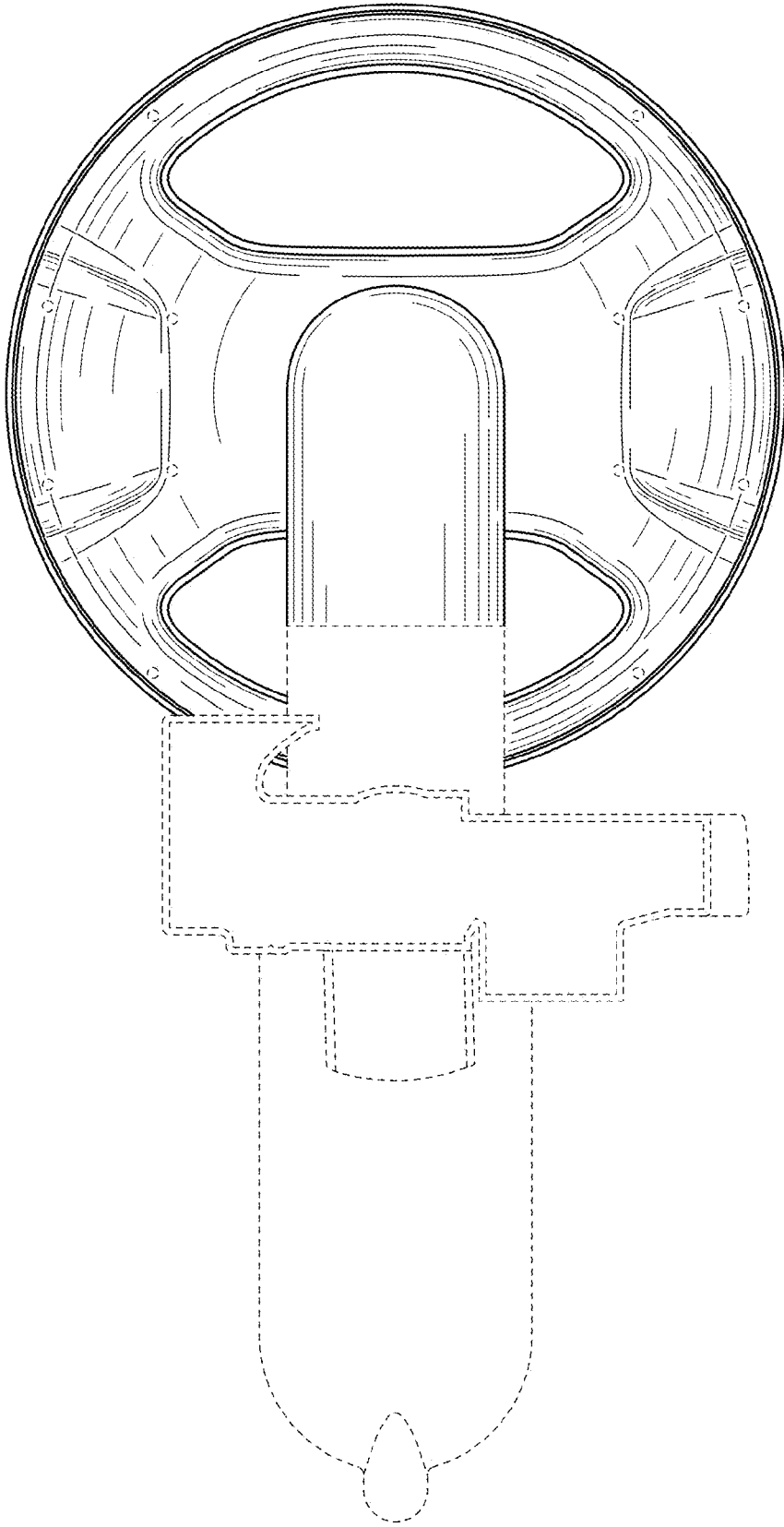


FIG. 3

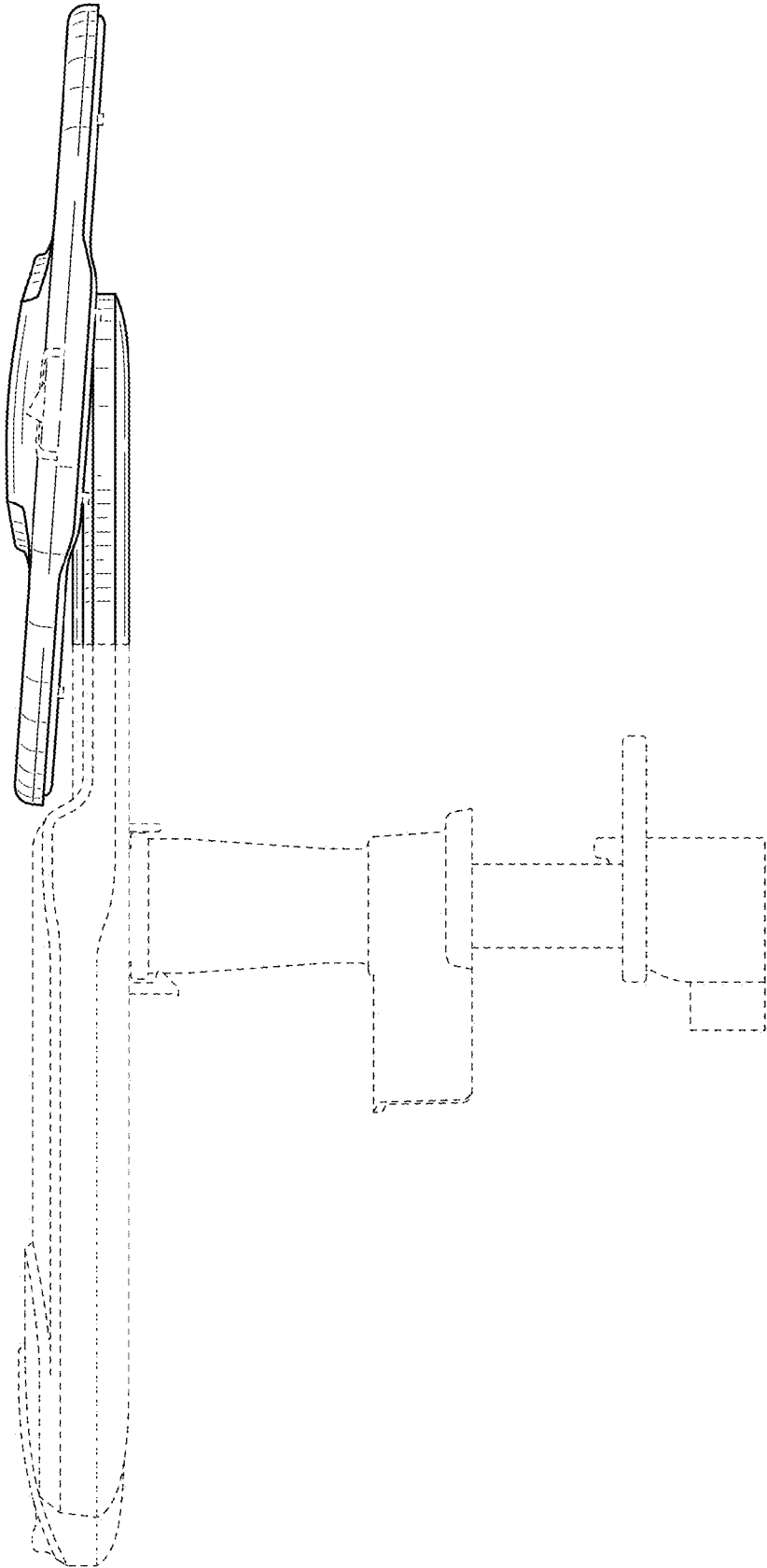


FIG. 4

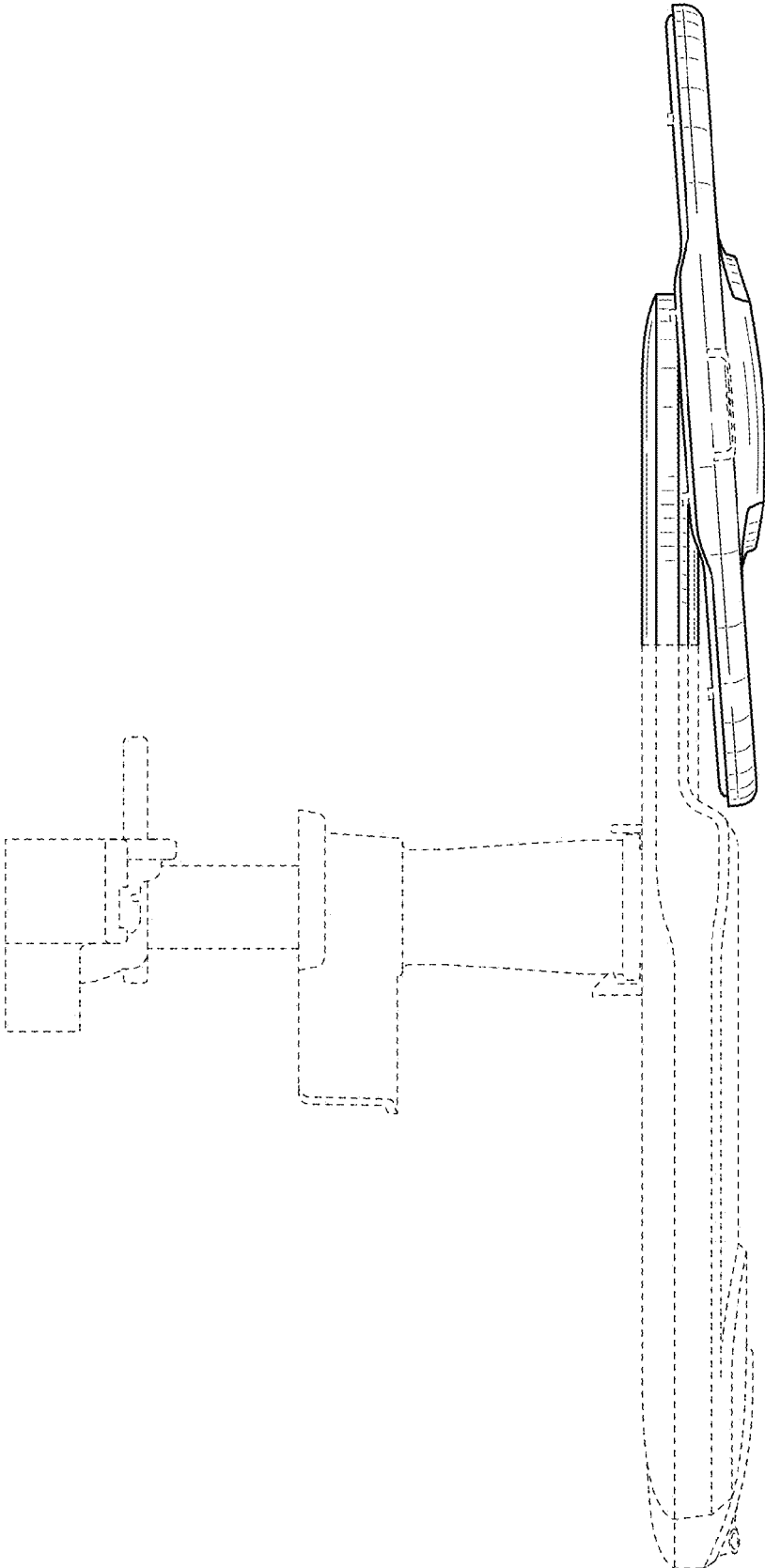


FIG. 5

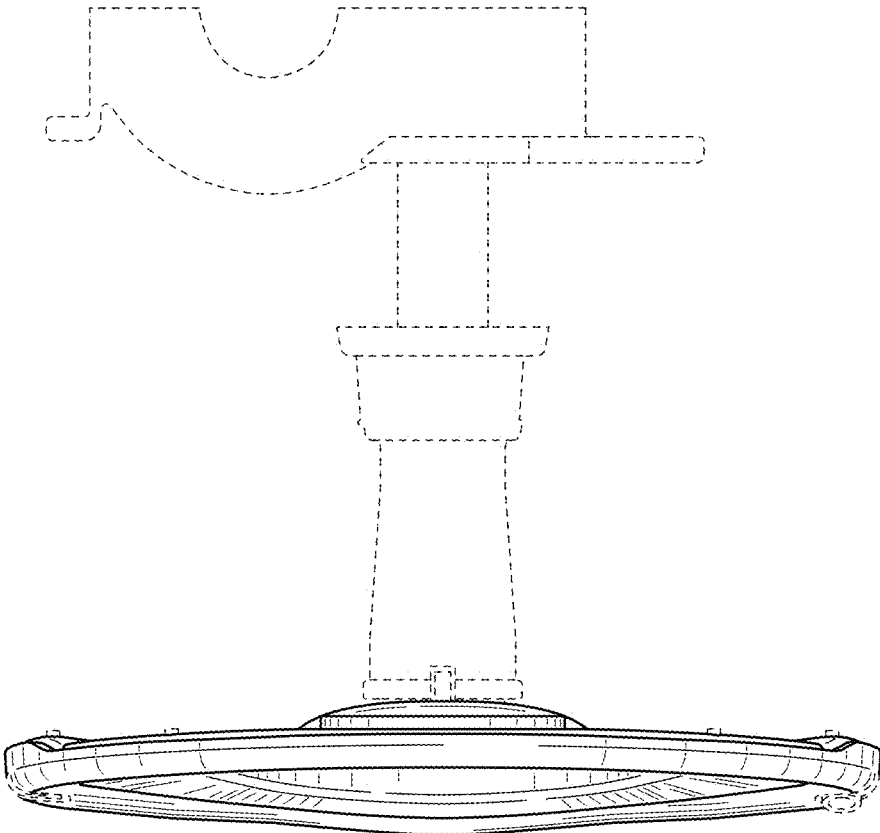


FIG. 6

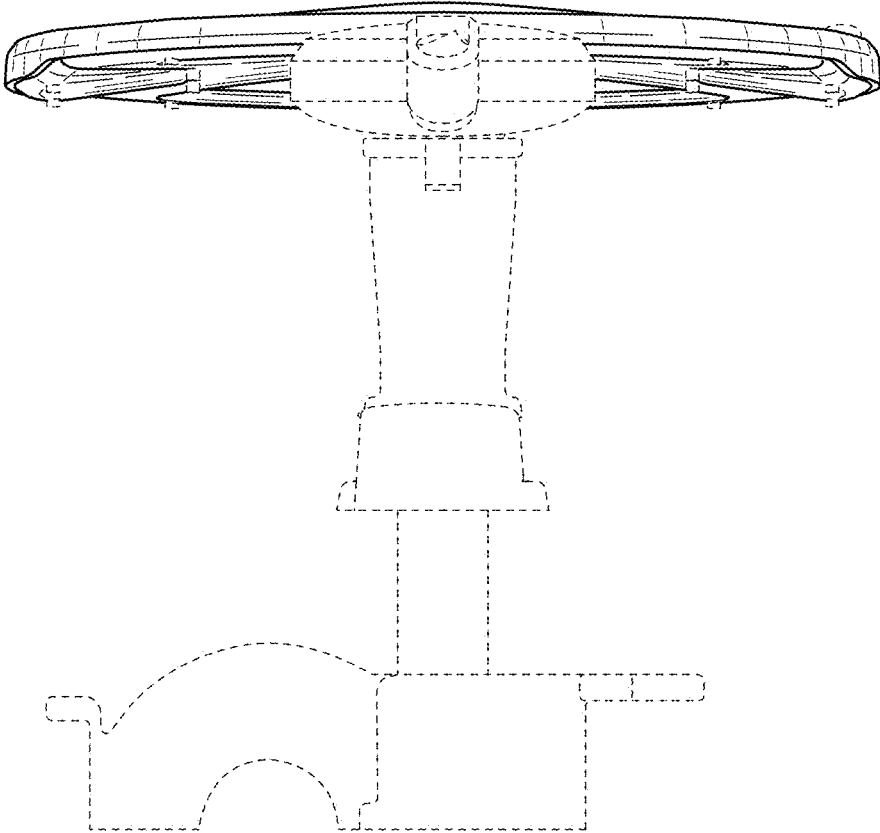


FIG. 7