



US00D713552S

(12) **United States Design Patent**  
**Steffes et al.**

(10) **Patent No.:** **US D713,552 S**

(45) **Date of Patent:** **\*\* Sep. 16, 2014**

(54) **MANUFACTURED SIDING PANEL**

(56) **References Cited**

(71) Applicants: **Stephen W. Steffes**, McPherson, KS  
(US); **Nikki J. Whitney**, Lansing, MI  
(US); **Andrew C. Brandt**, Pottstown, PA  
(US); **David J. Stucky**, Grass Lake, MI  
(US)

U.S. PATENT DOCUMENTS

5,642,597	A *	7/1997	Hendrickson	.....	52/715
6,178,703	B1	1/2001	Noone		
RE39,091	E	5/2006	Kuelker		
7,841,147	B2	11/2010	Moran		
8,065,850	B1	11/2011	Moran		
2006/0075712	A1	4/2006	Gilbert et al.		
2007/0137127	A1	6/2007	Lincoln et al.		
2009/0193742	A1	8/2009	Wolf et al.		
2012/0186170	A1 *	7/2012	Macdonald et al.	.....	52/173.3
2012/0272598	A1	11/2012	Wilkie et al.		

(72) Inventors: **Stephen W. Steffes**, McPherson, KS  
(US); **Nikki J. Whitney**, Lansing, MI  
(US); **Andrew C. Brandt**, Pottstown, PA  
(US); **David J. Stucky**, Grass Lake, MI  
(US)

\* cited by examiner

*Primary Examiner* — Doris Clark

(73) Assignee: **Certainteed Corporation**, Valley Forge, PA (US)

(74) *Attorney, Agent, or Firm* — Alexander H. Plache; Abel Law Group, LLP

(\*\*) Term: **14 Years**

(57) **CLAIM**

We claim an ornamental design for a manufactured panel, as shown and described.

(21) Appl. No.: **29/435,470**

**DESCRIPTION**

(22) Filed: **Oct. 24, 2012**

FIG. 1 is a front perspective view of a frame for a manufactured panel.

(51) **LOC (10) Cl.** ..... **25-02**

FIG. 2 is a rear perspective view thereof.

(52) **U.S. Cl.**

FIG. 3 is a left side view thereof.

USPC ..... **D25/61**

FIG. 4 is a front view thereof.

(58) **Field of Classification Search**

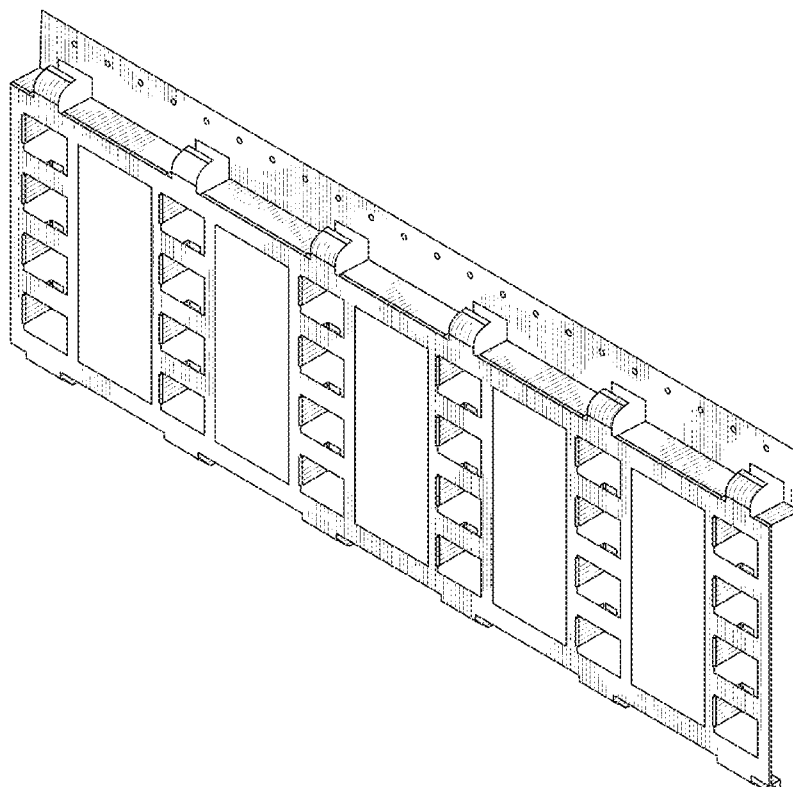
FIG. 5 is a rear view thereof; and,

USPC ..... D25/61, 138

FIG. 6 is a right side view thereof.

See application file for complete search history.

**1 Claim, 3 Drawing Sheets**



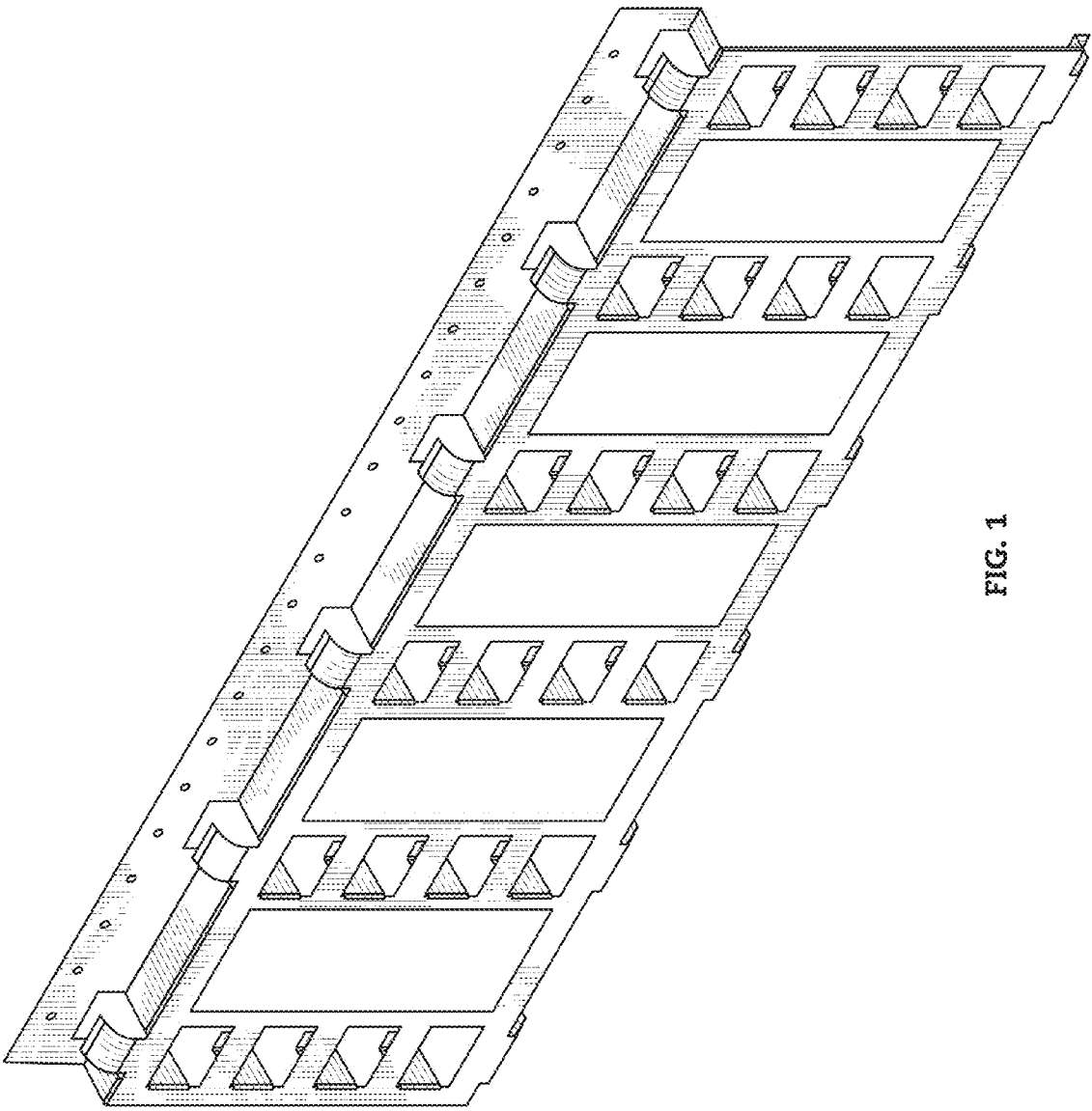


FIG. 1

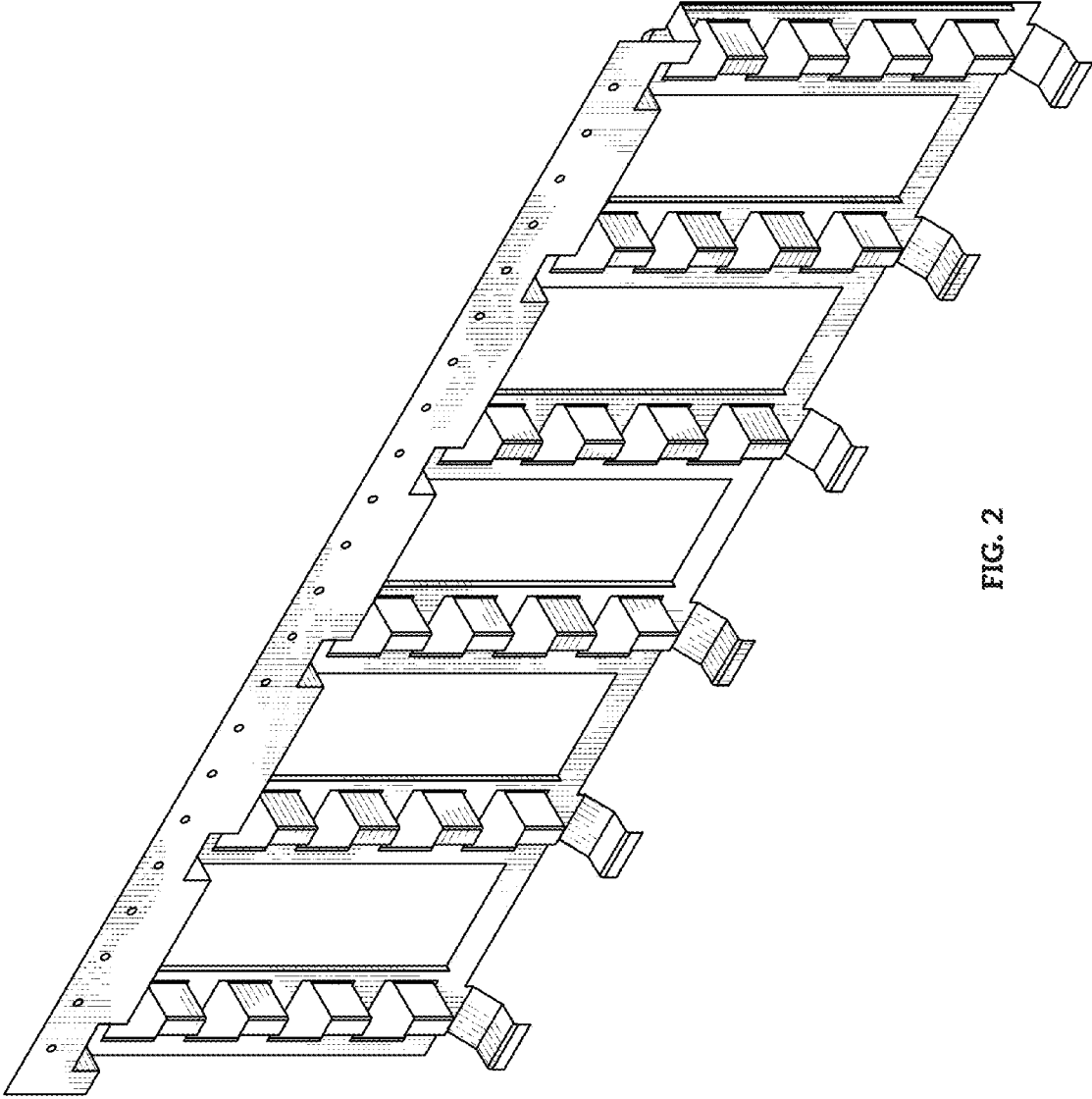


FIG. 2

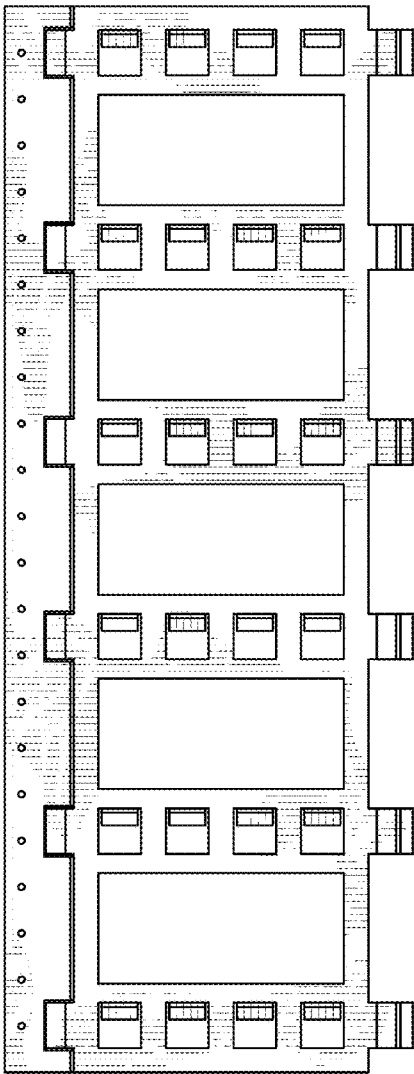


FIG. 3

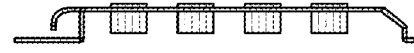


FIG. 6

FIG. 4

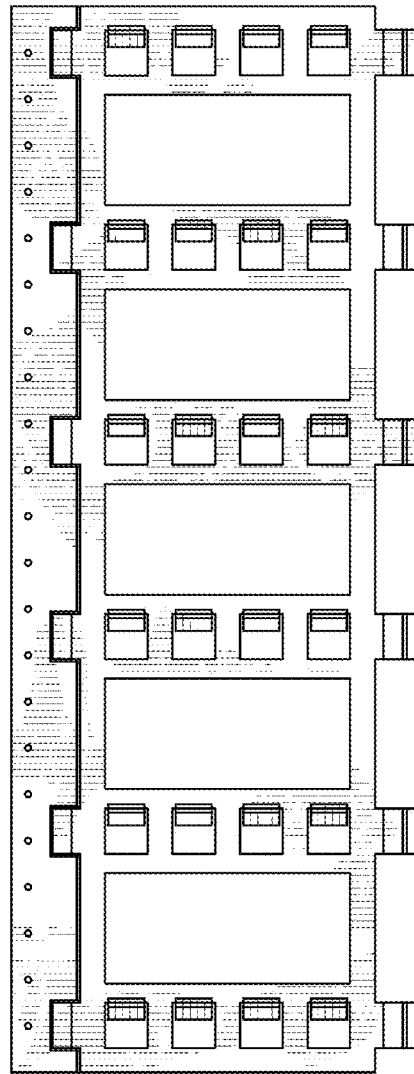


FIG. 5

UNITED STATES PATENT AND TRADEMARK OFFICE  
**CERTIFICATE OF CORRECTION**

PATENT NO. : D713,552 S  
APPLICATION NO. : 29/435470  
DATED : September 16, 2014  
INVENTOR(S) : Stephen W. Steffes et al.

Page 1 of 1

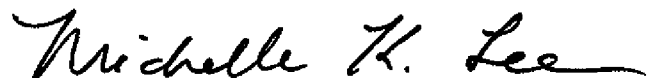
It is certified that error appears in the above-identified patent and that said Letters Patent is hereby corrected as shown below:

On the Title Page

Item (54), please delete the title “Manufactured Siding Panel”, and insert --Frame for Manufactured Siding Panel--

Item (57), please delete “We claim an ornamental design for a manufactured panel, as shown and described”, and insert --We claim an ornamental design for a frame for a manufactured panel as shown and described.--

Signed and Sealed this  
Nineteenth Day of May, 2015



Michelle K. Lee  
*Director of the United States Patent and Trademark Office*