



US00D323488S

United States Patent [19]

[11] Patent Number: Des. 323,488

Darnell et al.

[45] Date of Patent: ** Jan. 28, 1992

[54] CONTROL PANEL

[75] Inventors: Charles J. Darnell, Lithonia; William R. Lutz, Tucker, both of Ga.

[73] Assignee: National Service Industries, Inc., Atlanta, Ga.

[**] Term: 14 Years

[21] Appl. No.: 451,549

[22] Filed: Dec. 18, 1989

[52] U.S. Cl. D13/162; D8/353

[58] Field of Search D13/126, 162, 158, 164, D13/177; D8/350-353; 361/332-334, 346, 390-394; 200/293, 296, 308-310, 334, 333, 341, 520; 292/357; 174/61, 66-67; 439/135-136; D18/7, 12

[56] **References Cited**

U.S. PATENT DOCUMENTS

- D. 214,991 8/1969 Mellyn .
- D. 249,141 8/1978 Mayo .
- D. 261,773 11/1981 Ichikawa et al. D18/7
- D. 262,261 12/1981 Schumacher .
- D. 280,406 9/1985 Walker D13/164 X
- D. 287,005 12/1986 Newton D13/162

- D. 287,242 12/1986 Liss et al. .
- D. 297,404 8/1988 Yandek et al. D8/353
- D. 297,405 8/1988 Yandek et al. .
- D. 297,406 8/1988 Yandek et al. D8/353
- 3,435,251 3/1969 Ellner 361/346 X
- 4,942,275 7/1990 Addy et al. 200/294 X

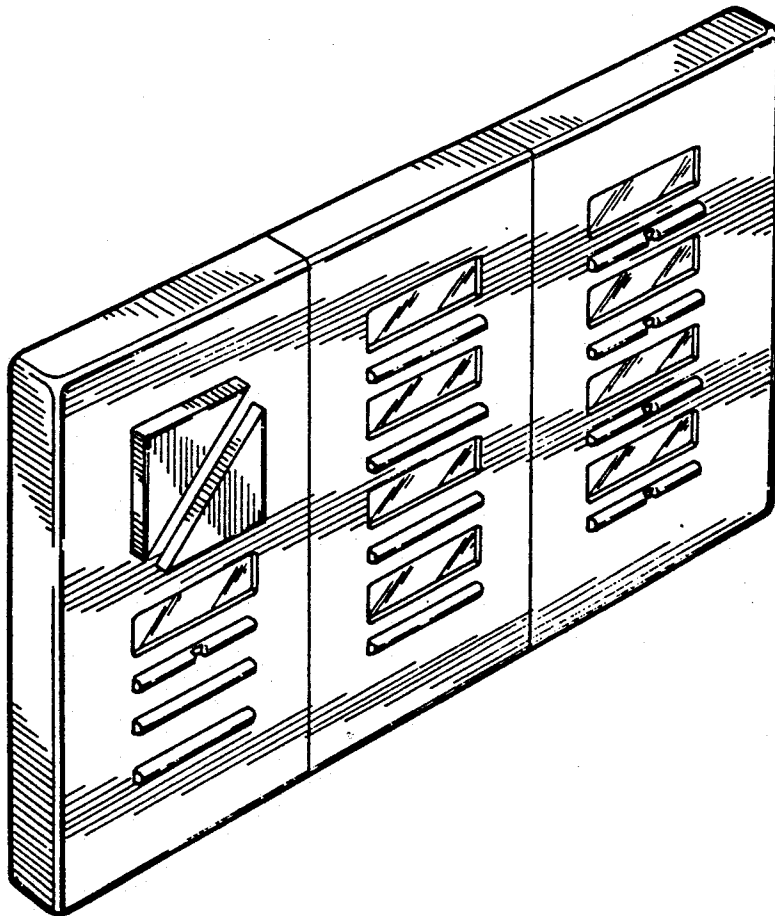
Primary Examiner—Wallace R. Burke
Assistant Examiner—M. H. Tung
Attorney, Agent, or Firm—Kenneth E. Darnell

[57] **CLAIM**

The ornamental design for control panel, as shown and described.

DESCRIPTION

FIG. 1 is a perspective view of a control panel showing our new design;
FIG. 2 is a top plan view thereof;
FIG. 3 is a front elevational view thereof;
FIG. 4 is a left end elevational view thereof;
FIG. 5 is a right end elevational view thereof; and
FIG. 6 is a top plan view of a second embodiment thereof, the sides are identical to the first embodiment except for the lack of ornamental contour lines on the front and rear views.
The bottom plan views of both embodiments are flat and unornamented.



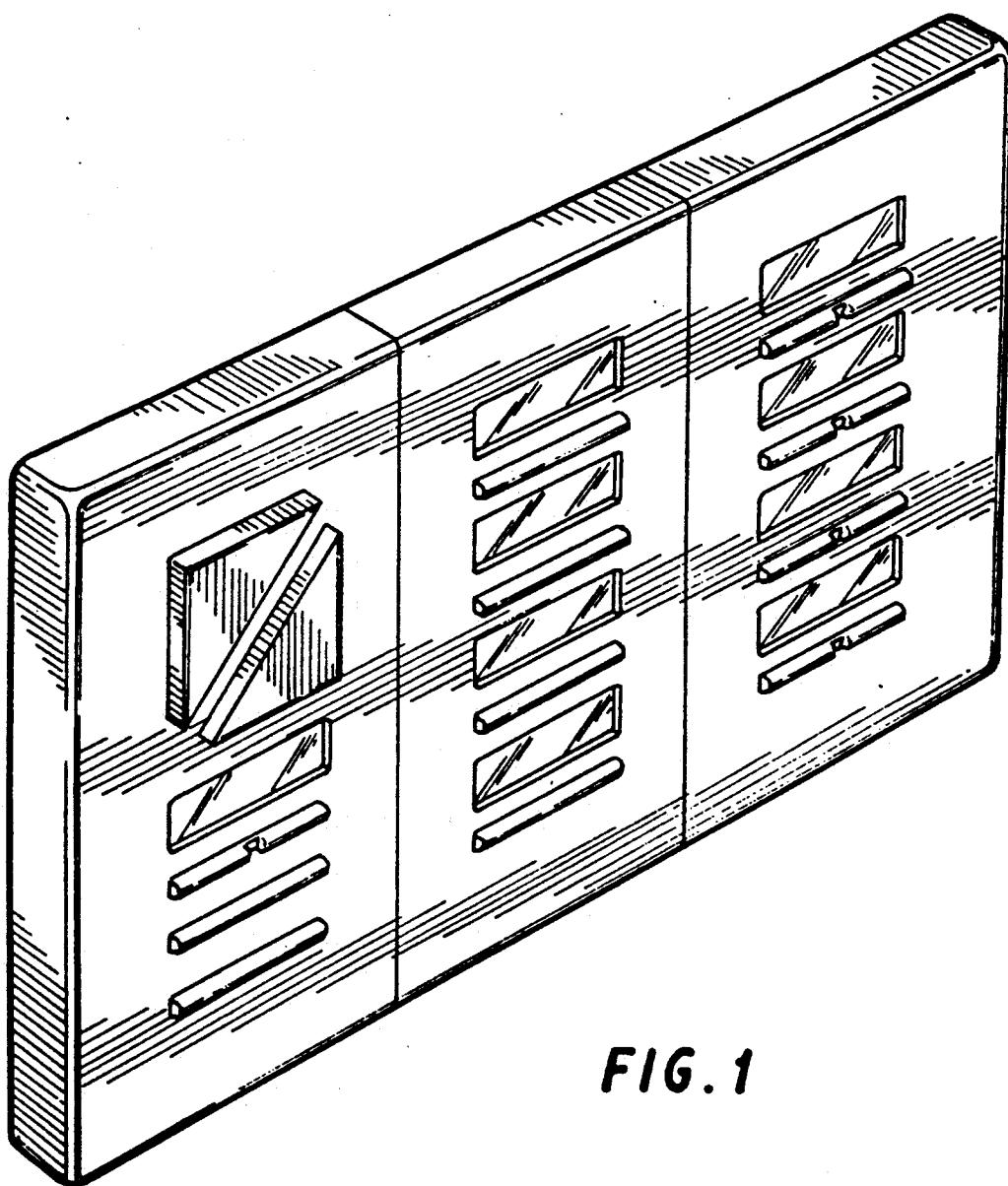


FIG. 1

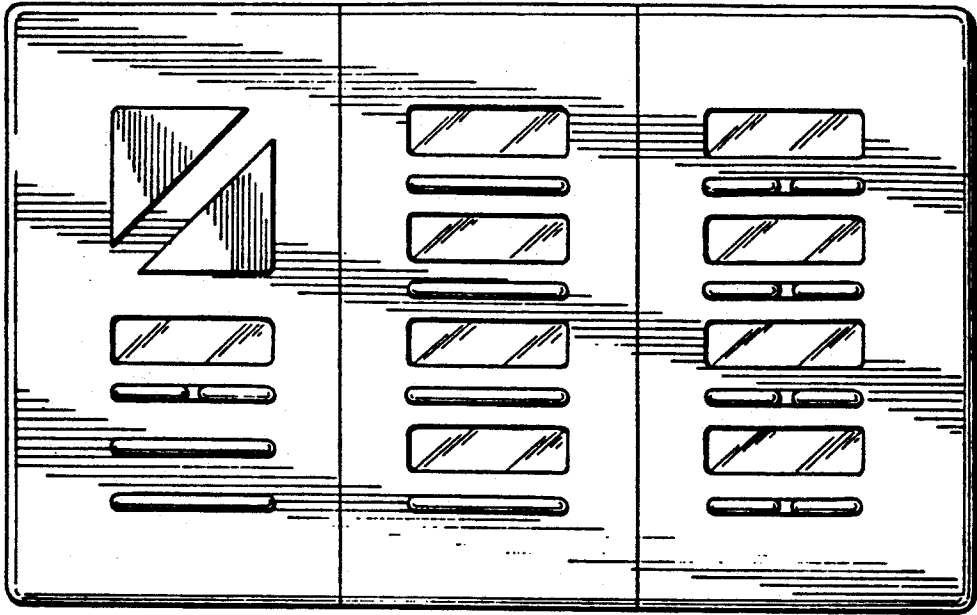


FIG. 2



FIG. 3

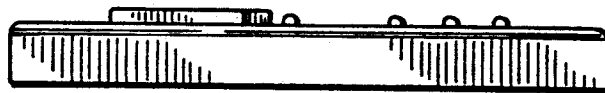


FIG. 4

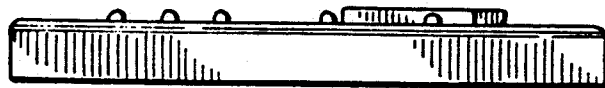


FIG. 5

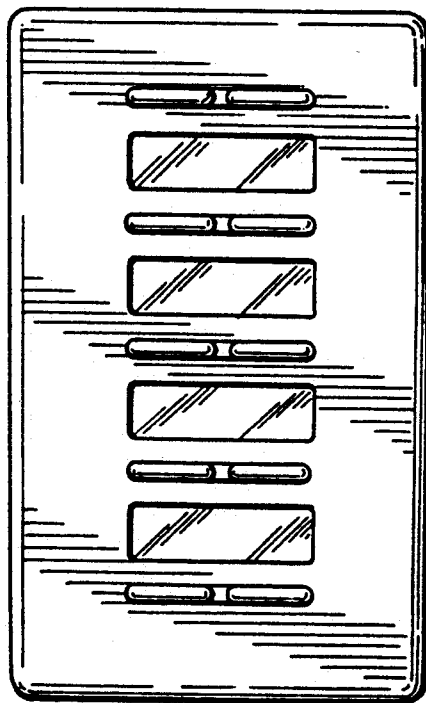


FIG. 6