

(12) **United States Design Patent**  
**Golic et al.**

(10) **Patent No.:** **US D786,626 S**  
(45) **Date of Patent:** **\*\* May 16, 2017**

(54) **COOLER**  
(71) Applicant: **GOLIC, LLC**, Avon, CT (US)  
(72) Inventors: **Jacob Kenneth Golic**, Avon, CT (US);  
**Michael Louis Golic**, Avon, CT (US);  
**Aaron Szymanski**, Thomaston, CT  
(US); **Michael Mennone**, Guilford, CT  
(US); **Mohan Rajasekaran**, Bristol, CT  
(US)

4,724,681 A \* 2/1988 Bartholomew ..... F25D 3/06  
190/18 A  
4,846,493 A \* 7/1989 Mason ..... A45C 5/146  
190/18 A  
5,100,198 A \* 3/1992 Baltzell ..... A47C 7/74  
280/30  
5,269,157 A \* 12/1993 Ciminelli ..... A45B 11/00  
280/47.18  
5,313,817 A \* 5/1994 Meinders ..... A45C 5/146  
190/18 A

(Continued)

(73) Assignee: **Michael Louis Golic**, Avon, MA (US)  
(\*\*) Term: **15 Years**  
(21) Appl. No.: **29/549,318**  
(22) Filed: **Dec. 21, 2015**

**FOREIGN PATENT DOCUMENTS**

FR 2782620 A1 3/2000

**OTHER PUBLICATIONS**

International Search Report; International Application No. PCT/  
US2014/046132; International Filing Date: Jul. 10, 2014; Date of  
Mailing: Nov. 3, 2014; 7 Pages.

(Continued)

**Related U.S. Application Data**

(62) Division of application No. 29/521,638, filed on Mar.  
25, 2015, now Pat. No. Des. 745,810, which is a  
division of application No. 29/460,424, filed on Jul.  
10, 2013, now Pat. No. Des. 731,858.

*Primary Examiner* — Terry Wallace

(74) *Attorney, Agent, or Firm* — Cantor Colburn LLP

(51) **LOC (10) Cl.** ..... **07-01**  
(52) **U.S. Cl.**  
USPC ..... **D7/605**  
(58) **Field of Classification Search**  
USPC ..... D7/605–608, 629  
CPC ..... F25D 2331/804; F25D 3/08; A45C 5/14;  
B62B 2202/52  
See application file for complete search history.

(57) **CLAIM**

We claim, the ornamental design for a cooler, as shown and  
described.

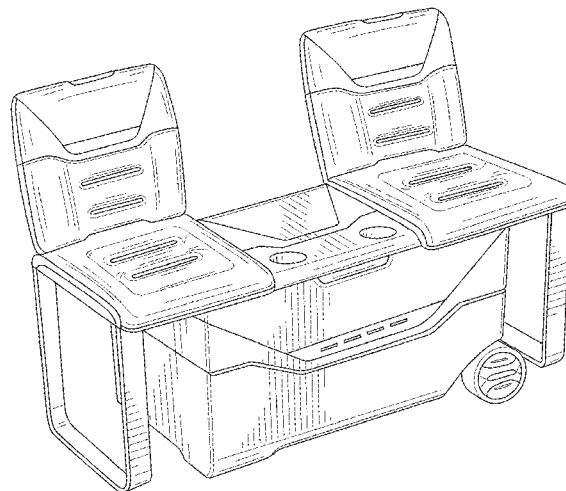
**DESCRIPTION**

FIG. 1 is a front perspective view of the cooler showing our  
new design.  
FIG. 2 is a front perspective view thereof in an alternate  
position.  
FIG. 3 is a front elevation view thereof.  
FIG. 4 is a rear elevation view thereof.  
FIG. 5 is a top plan view thereof.  
FIG. 6 is a bottom plan view thereof.  
FIG. 7 is a side view thereof; and,  
FIG. 8 is the other side view thereof.

(56) **References Cited**  
**U.S. PATENT DOCUMENTS**

1,895,864 A \* 1/1933 Ricci ..... B60N 3/103  
62/264  
2,663,391 A \* 12/1953 Kuhns ..... A45C 9/00  
126/25 R  
4,460,188 A \* 7/1984 Maloof ..... B62B 1/20  
280/30

**1 Claim, 7 Drawing Sheets**



(56)

**References Cited**

U.S. PATENT DOCUMENTS

5,480,170 A \* 1/1996 Kaiser, II ..... A47B 31/02  
108/80  
D368,387 S \* 4/1996 Bureau ..... D6/686  
D369,695 S \* 5/1996 Imotani ..... D6/686  
5,727,844 A \* 3/1998 O'Quinn ..... A47C 7/744  
206/216  
5,803,472 A \* 9/1998 Lien ..... A45C 5/14  
108/129  
D415,658 S \* 10/1999 Frehse ..... D7/605  
6,311,991 B1 \* 11/2001 Conrado ..... A45C 5/14  
280/47.26  
D484,004 S \* 12/2003 Lee ..... D7/605  
6,993,931 B1 \* 2/2006 Hamilton ..... A45B 23/00  
62/371  
7,163,262 B2 \* 1/2007 Anglin ..... A47C 4/04  
297/184.15  
7,559,602 B2 \* 7/2009 Ward ..... A47C 3/16  
297/188.04

D604,994 S \* 12/2009 Greenlees ..... D7/605  
7,810,350 B2 \* 10/2010 Shelton ..... A45F 3/04  
62/371  
D652,263 S \* 1/2012 Whitman ..... D7/605  
D667,697 S \* 9/2012 Shah ..... D7/605  
8,356,712 B2 \* 1/2013 Piazza, Jr. .... A45C 9/00  
108/14  
2007/0101754 A1 \* 5/2007 Maldonado ..... B67D 3/0067  
62/389  
2008/0223862 A1 \* 9/2008 Vanderberg ..... B62B 3/003  
220/592.03  
2009/0217699 A1 \* 9/2009 Ball ..... A45C 11/20  
62/457.7

OTHER PUBLICATIONS

Written Opinion of the International Searching Authority; International Application No. PCT/US2014/046132; International Filing Date: Jul. 10, 2014; Date of Mailing: Nov. 3, 2014; 6 Pages.

\* cited by examiner

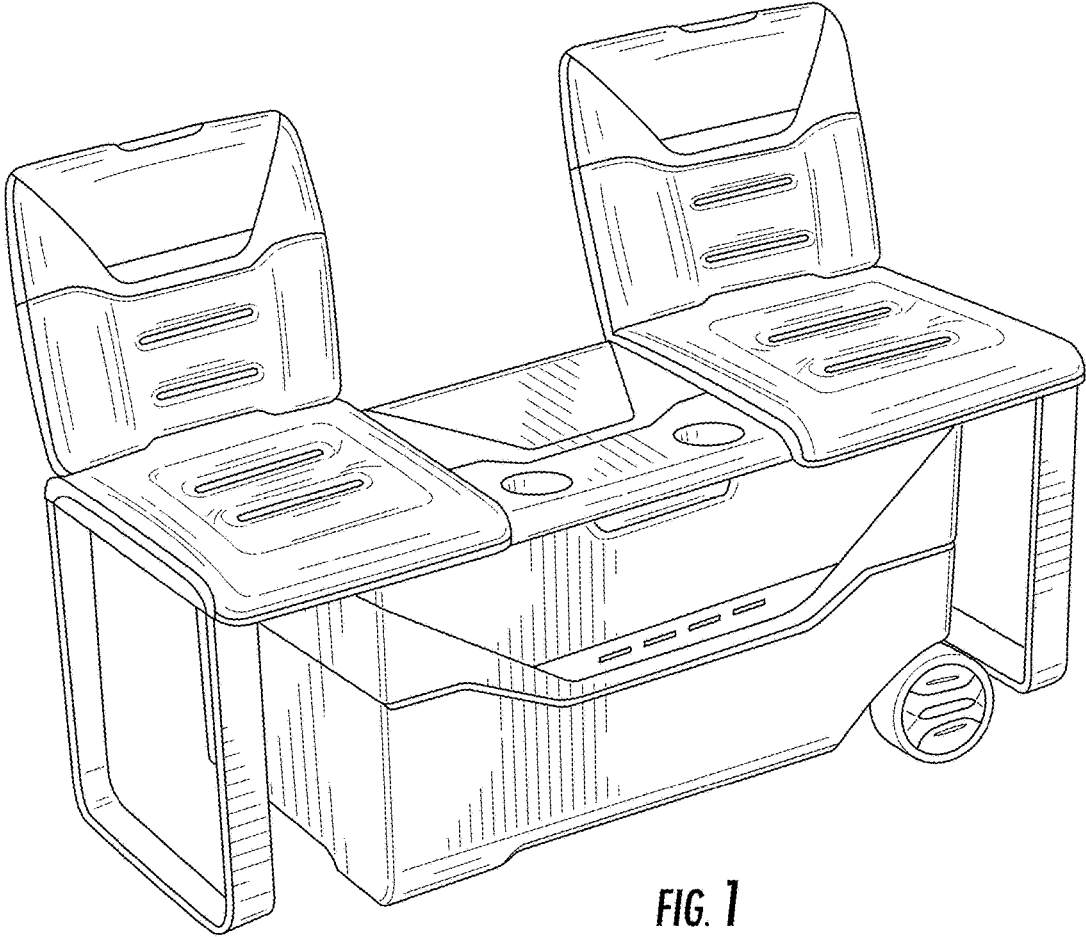


FIG. 1

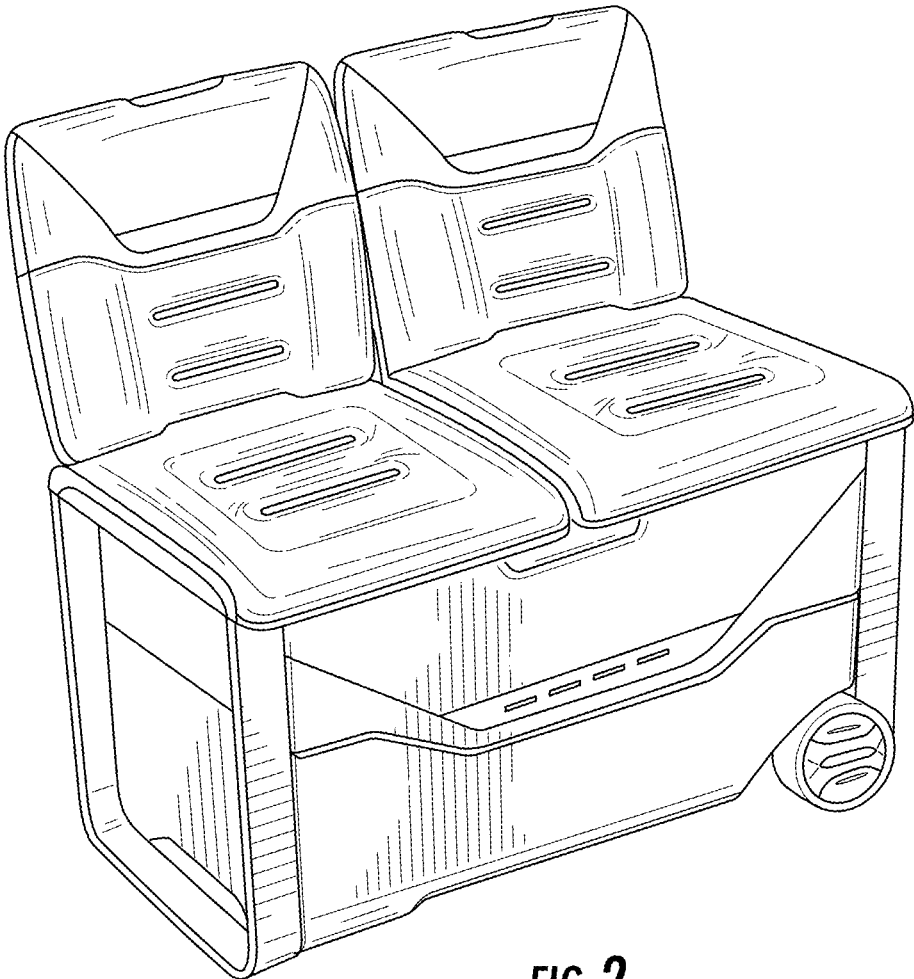


FIG. 2

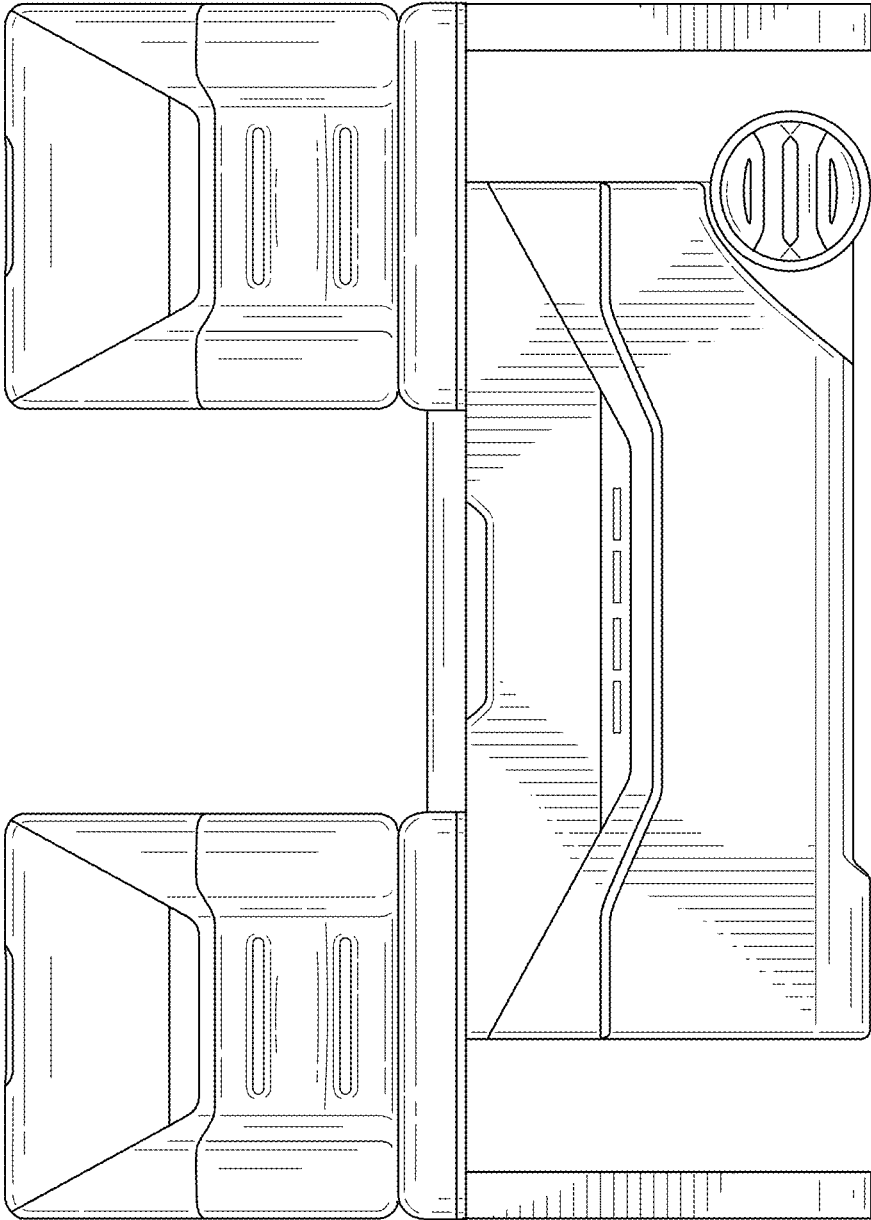


FIG. 3

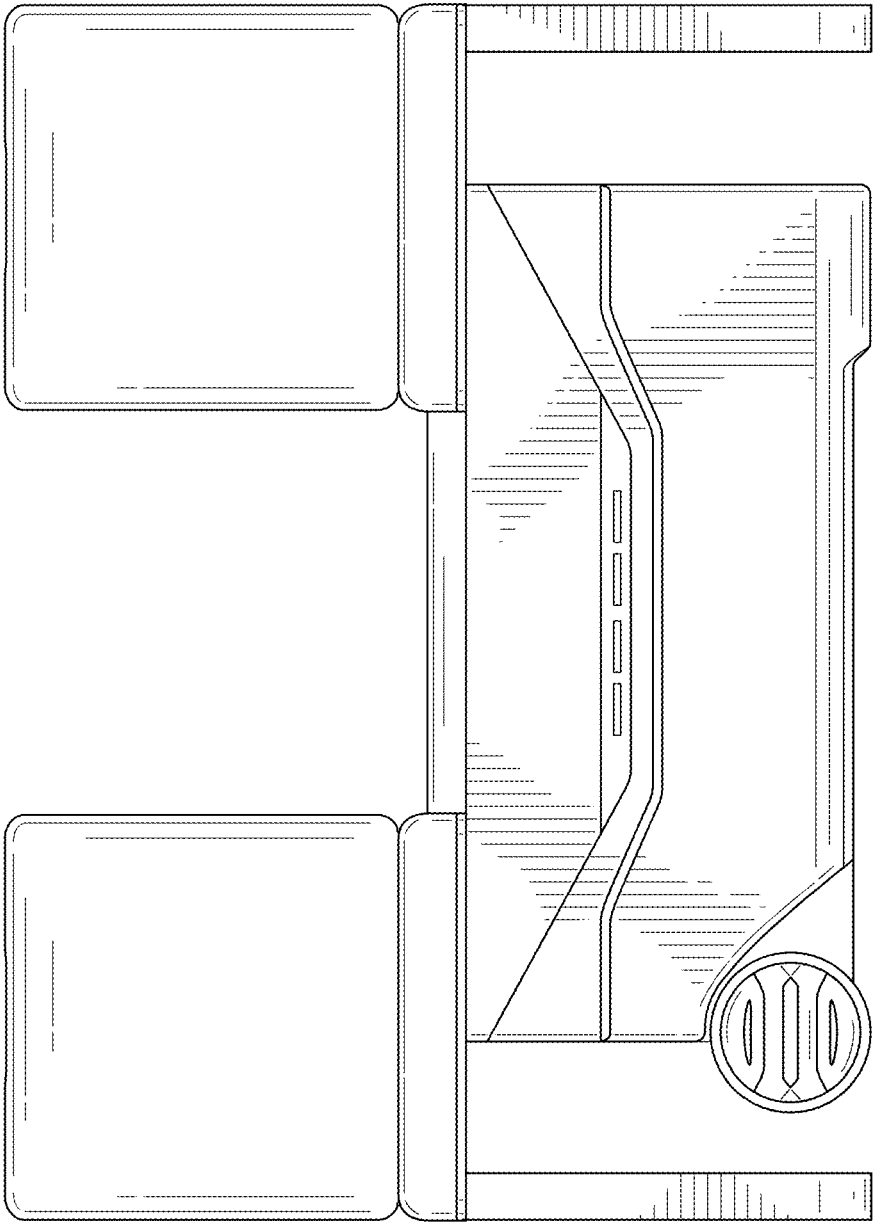


FIG. 4

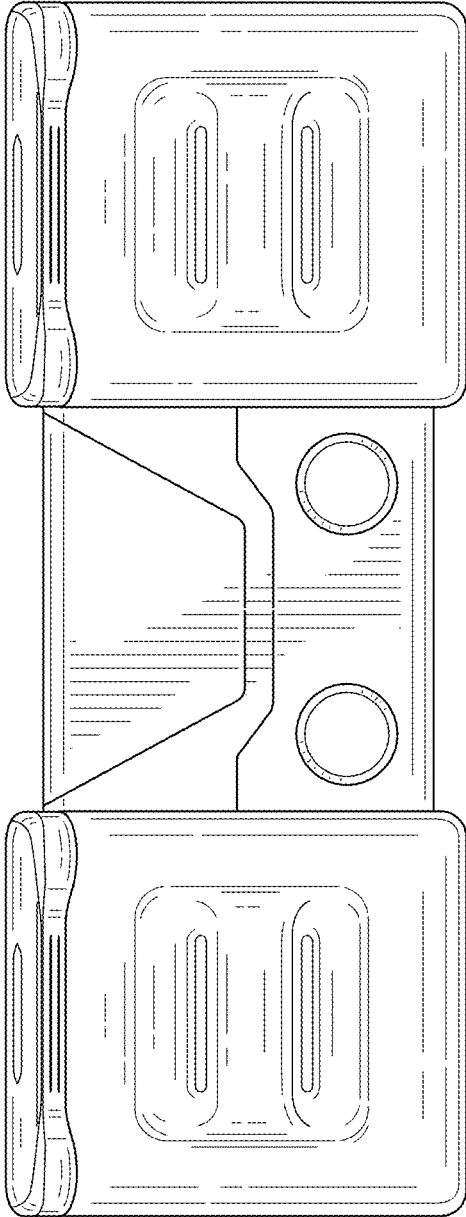


FIG. 5

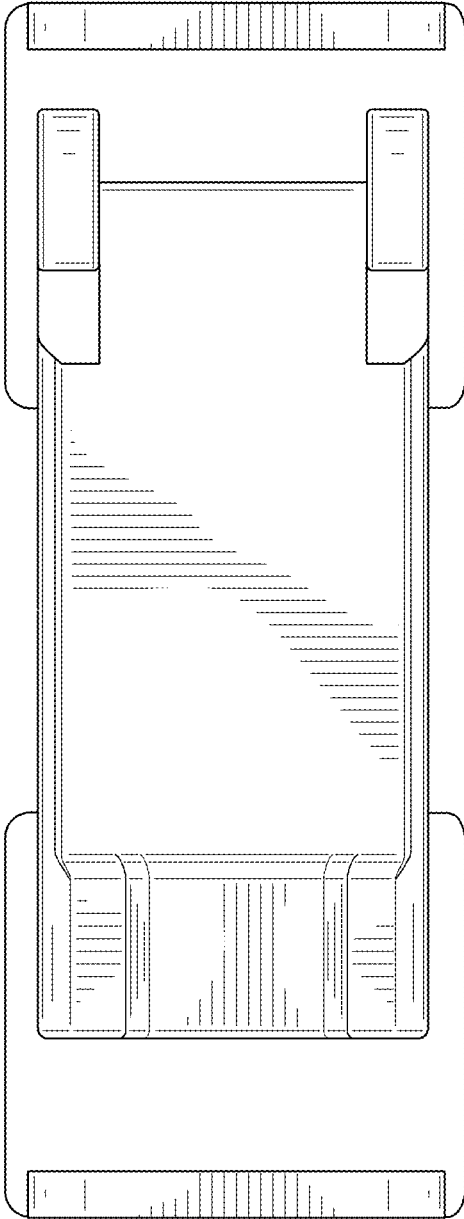


FIG. 6



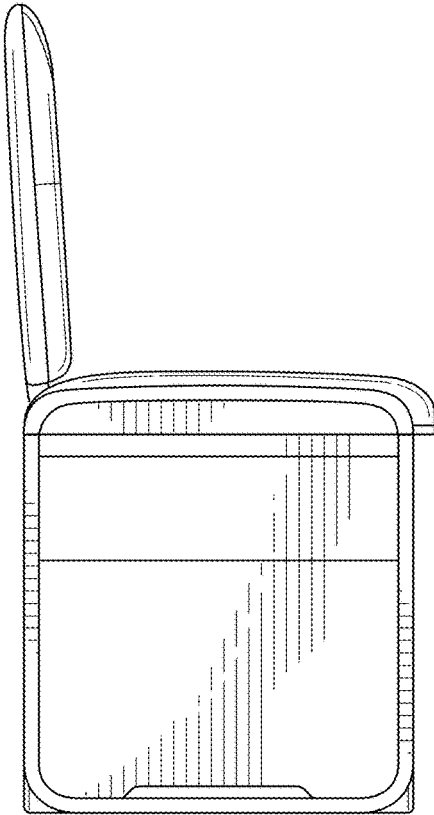


FIG. 7

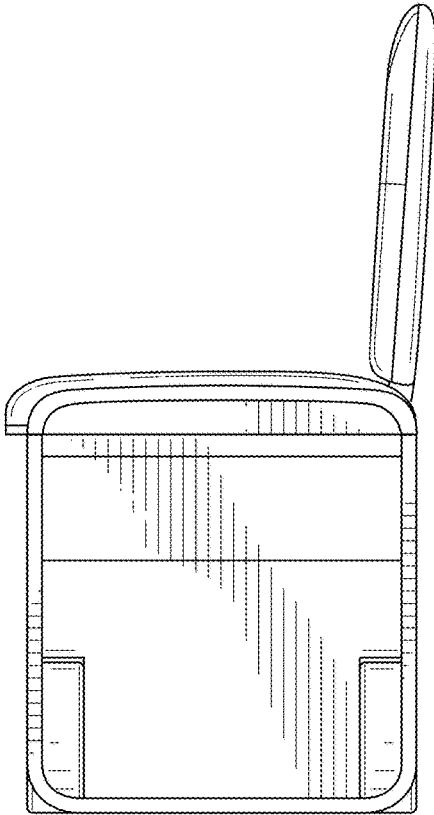


FIG. 8