



US00D463074S

(12) **United States Design Patent** (10) **Patent No.:** **US D463,074 S**  
**Couchon et al.** (45) **Date of Patent:** **\*\* Sep. 17, 2002**

- (54) **RETRACTABLE LEASH SADDLE** 5,718,192 A 2/1998 Sebastian ..... 119/795  
D393,504 S 4/1998 Eisman ..... 224/609 X
- (75) **Inventors:** **Kathleen M. Couchon**, Narragansett, RI (US); **Patricia A. Sylvia**, Narragansett, RI (US); **Antone Macedo**, Manville, RI (US); **Peter A. Russo**, Bedford, MA (US) 5,890,637 A 4/1999 Furneaux ..... 119/795  
6,019,067 A 2/2000 Carey ..... 119/795  
D425,266 S 5/2000 Rubenstein ..... D30/153  
6,073,590 A 6/2000 Polding ..... 119/795  
6,085,695 A 7/2000 Miller et al. .... 119/795

- (73) **Assignee:** **The Real Boss, LLC**, Hilo, HI (US)
- (\*\*) **Term:** **14 Years**

- (21) **Appl. No.:** **29/132,608**
- (22) **Filed:** **Nov. 9, 2000**

**Related U.S. Application Data**

- (63) Continuation-in-part of application No. 29/101,737, filed on Mar. 10, 1999, now Pat. No. Des. 438,000.
- (51) **LOC (7) Cl.** ..... **30-04**
- (52) **U.S. Cl.** ..... **D30/153; D3/231**
- (58) **Field of Search** ..... D3/201, 231; D30/152, D30/153, 162; 119/712, 792, 793, 794, 795, 796, 797, 798; 224/609

(56) **References Cited**

**U.S. PATENT DOCUMENTS**

- D272,428 S 1/1984 Kelley ..... 224/609 X

*Primary Examiner*—Louis S. Zarfaz  
*Assistant Examiner*—Monica A. Weingart  
(74) *Attorney, Agent, or Firm*—Samuels, Gauthier & Stevens

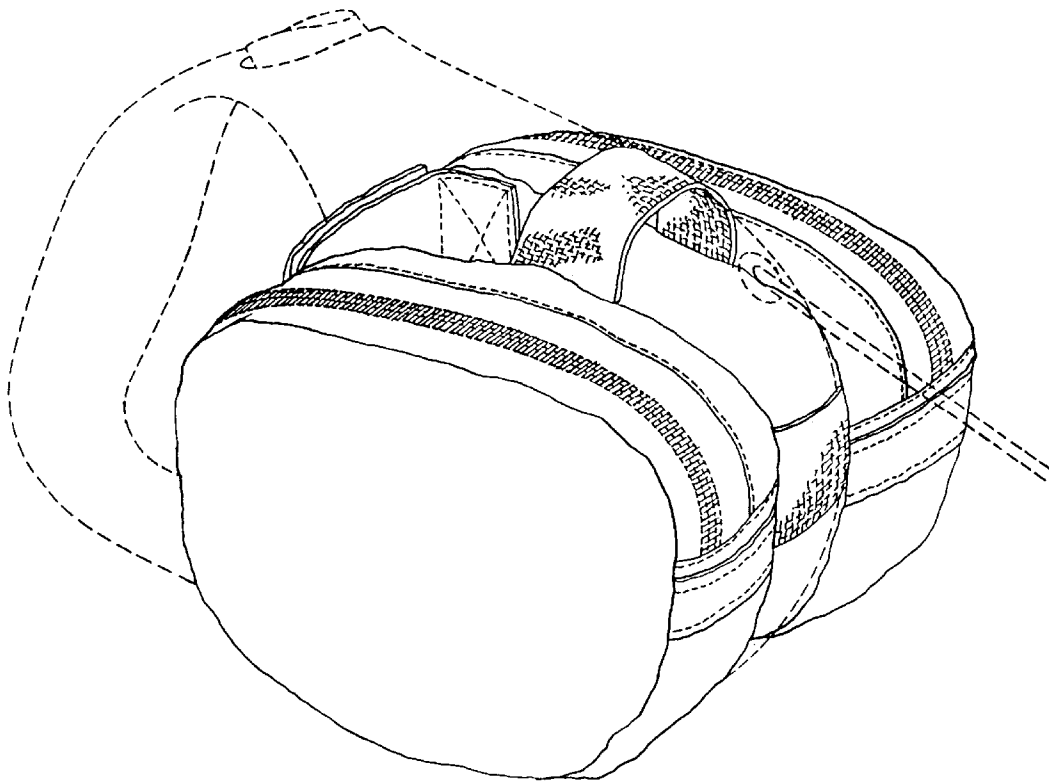
(57) **CLAIM**

The ornamental design for a retractable leash saddle, as shown and described.

**DESCRIPTION**

FIG. 1 is a front perspective view of a retractable leash saddle, showing our new design; FIG. 2 is a front elevational view thereof; FIG. 3 is a top plan view thereof; FIG. 4 is a bottom plan view thereof; FIG. 5 is a left side elevational view thereof; and, FIG. 6 is a right side elevational view thereof. The broken line showing of a retractable leash in FIG. 1 is for illustrative purposes only and forms no part of the claimed design.

**1 Claim, 4 Drawing Sheets**



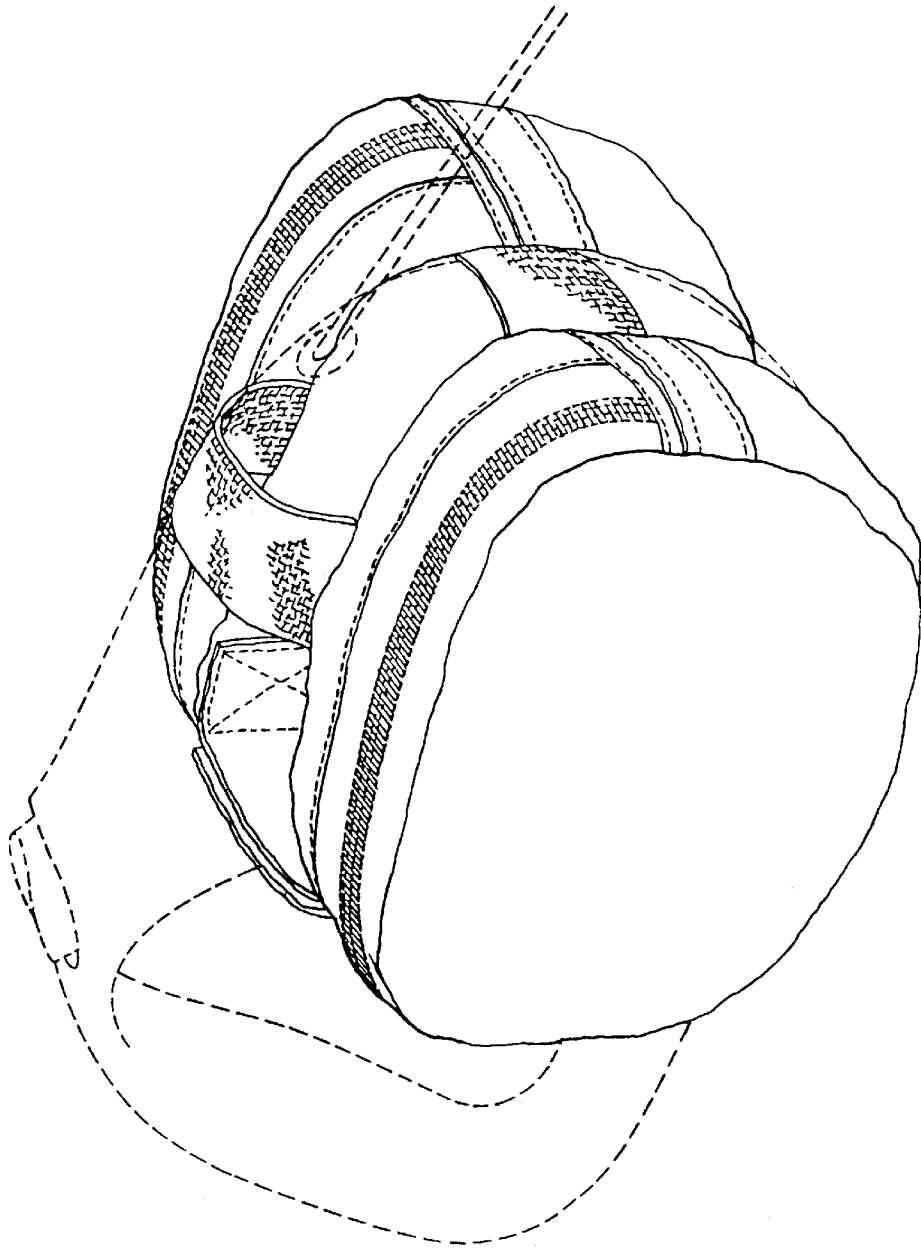


FIG. 1

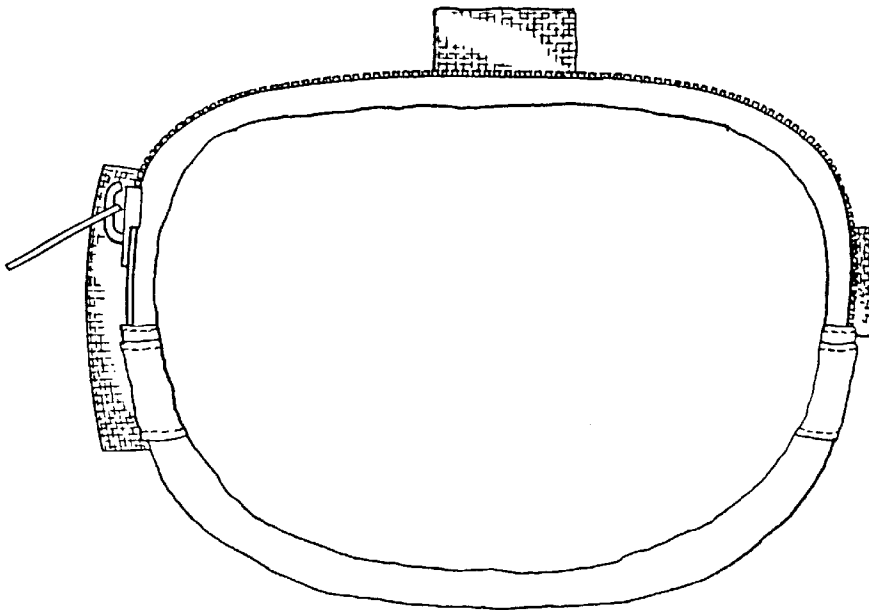


FIG. 2

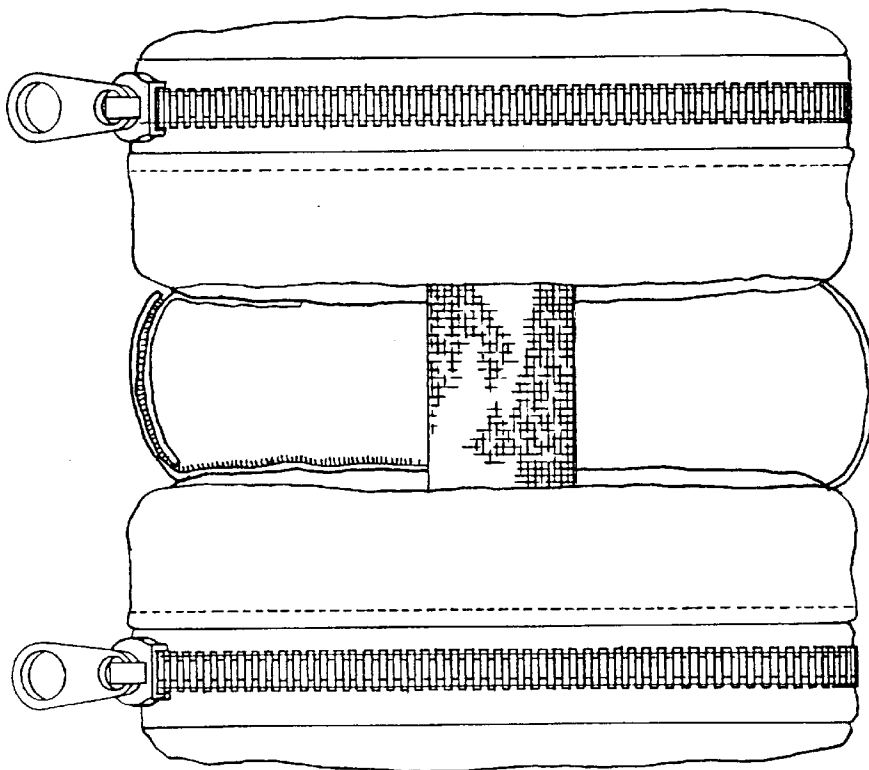


FIG. 3

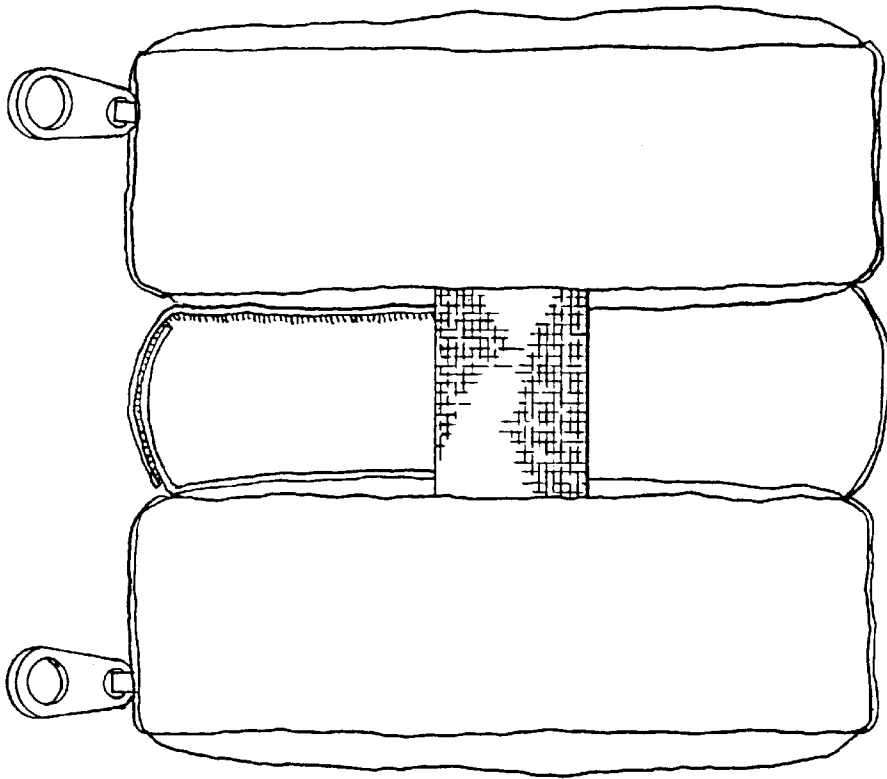


FIG. 4

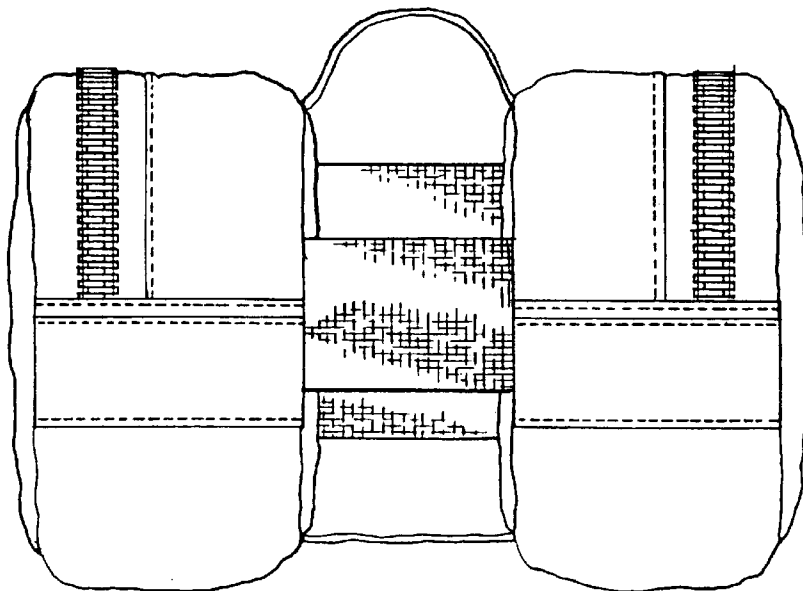


FIG. 5

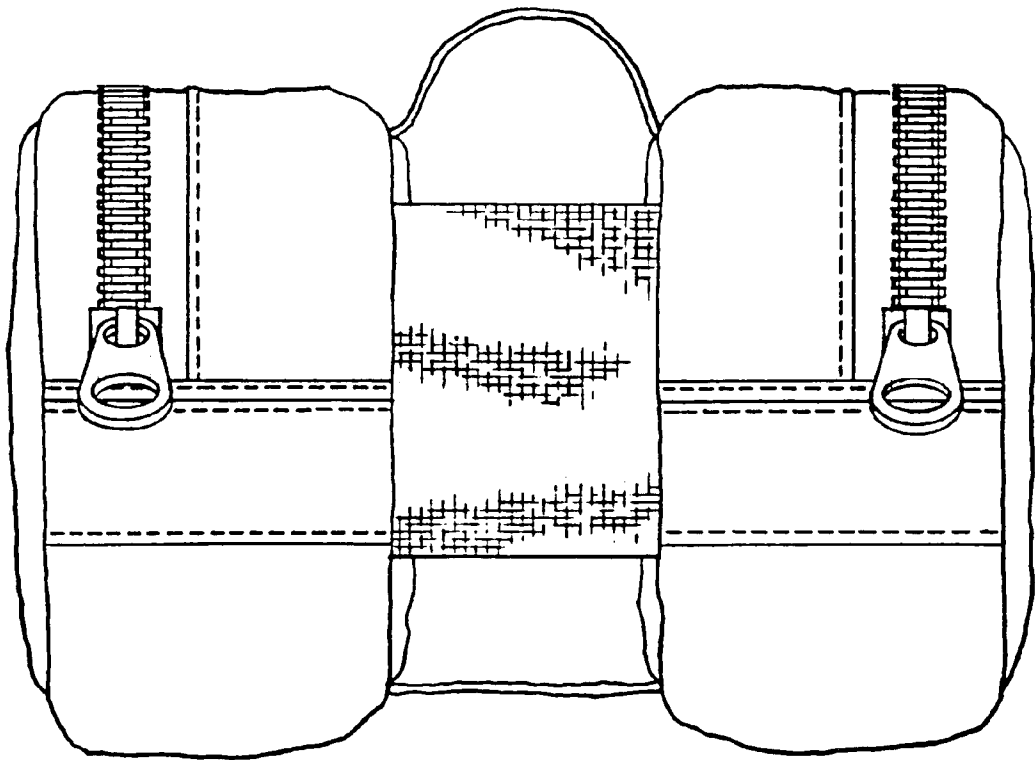


FIG. 6