

(19) World Intellectual Property Organization
International Bureau



(43) International Publication Date
9 August 2001 (09.08.2001)

PCT

(10) International Publication Number
WO 01/58133 A3

(51) International Patent Classification⁷: **H04N 7/16**

(21) International Application Number: PCT/US01/03405

(22) International Filing Date: 1 February 2001 (01.02.2001)

(25) Filing Language: English

(26) Publication Language: English

(30) Priority Data:
60/178,583 1 February 2000 (01.02.2000) US

(71) Applicant (for all designated States except US): **GRANITE MICROSYSTEMS, INC.** [US/US]; 10202 North Enterprise Drive, Mequon, WI 53092 (US).

(71) Applicant and
(72) Inventor: **TABOR, Kent** [US/US]; 12704 North River Road, Thiensville, WI 53092 (US).

(74) Agents: **BAXTER, William, K.** et al.; Godfrey & Kahn, S.C., 780 North Water Street, Milwaukee, WI 53202 (US).

(81) Designated States (*national*): AE, AG, AL, AM, AT, AU, AZ, BA, BB, BG, BR, BY, BZ, CA, CH, CN, CR, CU, CZ, DE, DK, DM, DZ, EE, ES, FI, GB, GD, GE, GH, GM, HR, HU, ID, IL, IN, IS, JP, KE, KG, KP, KR, KZ, LC, LK, LR, LS, LT, LU, LV, MA, MD, MG, MK, MN, MW, MX, MZ, NO, NZ, PL, PT, RO, RU, SD, SE, SG, SI, SK, SL, TJ, TM, TR, TT, TZ, UA, UG, US, UZ, VN, YU, ZA, ZW.

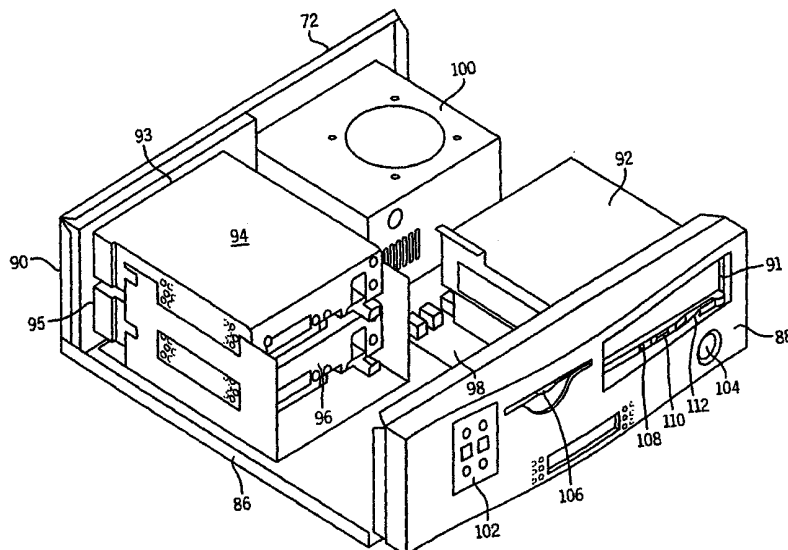
(84) Designated States (*regional*): ARIPO patent (GH, GM, KE, LS, MW, MZ, SD, SL, SZ, TZ, UG, ZW), Eurasian patent (AM, AZ, BY, KG, KZ, MD, RU, TJ, TM), European patent (AT, BE, CH, CY, DE, DK, ES, FI, FR, GB, GR, IE, IT, LU, MC, NL, PT, SE, TR), OAPI patent (BF, BJ, CF, CG, CI, CM, GA, GN, GW, ML, MR, NE, SN, TD, TG).

Published:
— with international search report

(88) Date of publication of the international search report:
18 April 2002

For two-letter codes and other abbreviations, refer to the "Guidance Notes on Codes and Abbreviations" appearing at the beginning of each regular issue of the PCT Gazette.

(54) Title: MULTI-FUNCTIONAL HOME ENTERTAINMENT SYSTEM UTILIZING DEVICE BAY TECHNOLOGY



(57) Abstract: The home entertainment system of the present invention includes a Device Bay compatible enclosure or set-top box (72) having a plurality of open bays (91, 93, 95) in the front and/or rear of the enclosure for the installation of peripheral devices. The set-top box (72) may also include a CPU module or integrated computer. The set-top box, computer and peripheral devices communicate with each other over high-speed USB and IEEE 1394 serial data buses/interface connectors. The peripheral devices that may be installed in the front and rear bays include hard drives, CD ROM drives, DVD ROM drives (106), Zip drives, modems, satellite receivers, TV tuners, video game interface modules, MIDI modules, and modules designed to connect to various video and audio equipment. The set-top box may be installed in a typical stereo rack or in a TV stand.



WO 01/58133 A3

INTERNATIONAL SEARCH REPORT

International application No.

PCT/US01/03405

A. CLASSIFICATION OF SUBJECT MATTER

IPC(7) : H04N 7/16
US CL : 725/153, 152

According to International Patent Classification (IPC) or to both national classification and IPC

B. FIELDS SEARCHED

Minimum documentation searched (classification system followed by classification symbols)

U.S. : 725/151-153, 139-142, 131-134, 68-72; HO4N 7/16, 7/173

Documentation searched other than minimum documentation to the extent that such documents are included in the fields searched

Electronic data base consulted during the international search (name of data base and, where practicable, search terms used)

C. DOCUMENTS CONSIDERED TO BE RELEVANT

Category*	Citation of document, with indication, where appropriate, of the relevant passages	Relevant to claim No.
X	US 5,909,559 A (SO) 01 June 1999 figures 1 and 8 column 3, lines 35-62 and columns 129 - 134	1-24
X	US 5,900,867 A (SCHINDLER et al.) 04 May 1999 whole document	1,4-13,16-23
X	US 5,929,849 A (KIKINIS) 27 July 1999 figure 1	1,4-13,16-23



Further documents are listed in the continuation of Box C.



See patent family annex.

* Special categories of cited documents:	"T" later document published after the international filing date or priority date and not in conflict with the application but cited to understand the principle or theory underlying the invention
"A" document defining the general state of the art which is not considered to be of particular relevance	"X" document of particular relevance; the claimed invention cannot be considered novel or cannot be considered to involve an inventive step when the document is taken alone
"E" earlier document published on or after the international filing date	"Y" document of particular relevance; the claimed invention cannot be considered to involve an inventive step when the document is combined with one or more other such documents, such combination being obvious to a person skilled in the art
"L" document which may throw doubts on priority claim(s) or which is cited to establish the publication date of another citation or other special reason (as specified)	"&" document member of the same patent family
"O" document referring to an oral disclosure, use, exhibition or other means	
"P" document published prior to the international filing date but later than the priority date claimed	

Date of the actual completion of the international search

10 JUNE 2001

Date of mailing of the international search report

25 JUL 2001

Name and mailing address of the ISA/US
Commissioner of Patents and Trademarks
Box PCT
Washington, D.C. 20231

Facsimile No. (703) 305-3230

Authorized officer

CHRISTOPHER GRANT

Telephone No. (703) 305-4755