



US0D1003685S

(12) **United States Design Patent**
Xiang

(10) **Patent No.:** **US D1,003,685 S**

(45) **Date of Patent:** **** Nov. 7, 2023**

(54) **LOCK**

Primary Examiner — Doris Clark

(71) Applicant: **Dezhao Xiang**, Shenzhen (CN)

(57) **CLAIM**

(72) Inventor: **Dezhao Xiang**, Shenzhen (CN)

The ornamental design for a lock, as shown and described.

(**) Term: **15 Years**

DESCRIPTION

(21) Appl. No.: **29/798,247**

FIG. 1 is a front perspective view of a lock showing my new design;

(22) Filed: **Jul. 7, 2021**

FIG. 2 is a rear perspective view thereof;

(51) **LOC (14) Cl.** **08-07**

FIG. 3 is a front elevational view thereof;

(52) **U.S. Cl.**

FIG. 4 is a rear elevational view thereof;

USPC **D8/331**

FIG. 5 is a left side view thereof;

(58) **Field of Classification Search**

FIG. 6 is a right side view thereof;

USPC **D8/331**

FIG. 7 is a top plan view thereof;

CPC ... **E05B 9/02; E05B 9/08; E05B 9/094; E05B 13/103; E05B 2009/006; E05B 2009/008**

FIG. 8 is a bottom plan view thereof; and,

See application file for complete search history.

FIG. 9 is an enlarged view of the encircled portion 9 in FIG. 1.

(56) **References Cited**

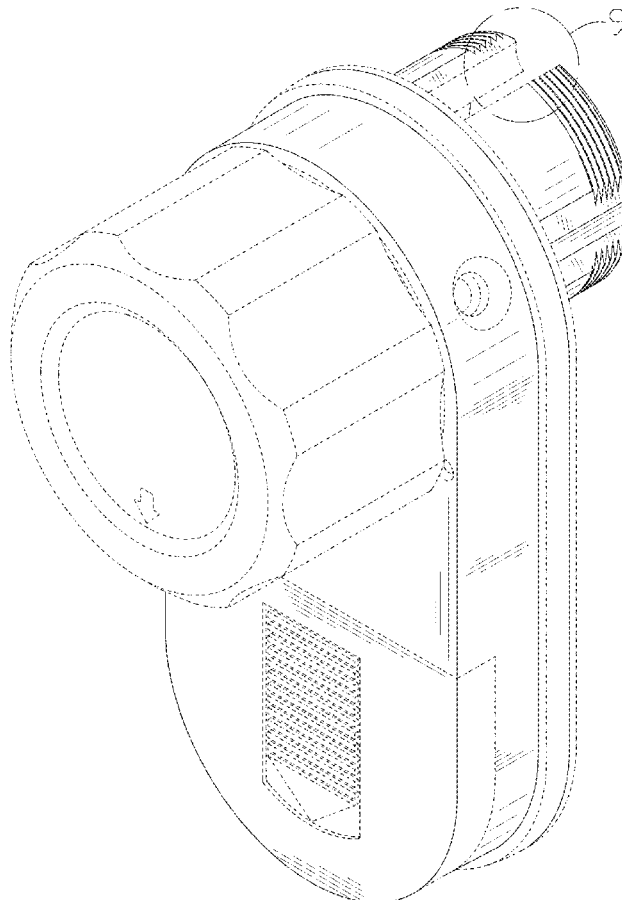
The broken lines in the drawings illustrate portions of the lock which form no part of the claimed design. The dot dash dot broken lines surrounding the detail areas in FIGS. 1 and 9 denote the boundaries of the detail areas and form no part of the claim design.

U.S. PATENT DOCUMENTS

- D686,056 S * 7/2013 Li D8/331
- 9,631,399 B1 * 4/2017 Zhang E05B 47/00
- D805,367 S * 12/2017 Winslow D8/331

* cited by examiner

1 Claim, 9 Drawing Sheets



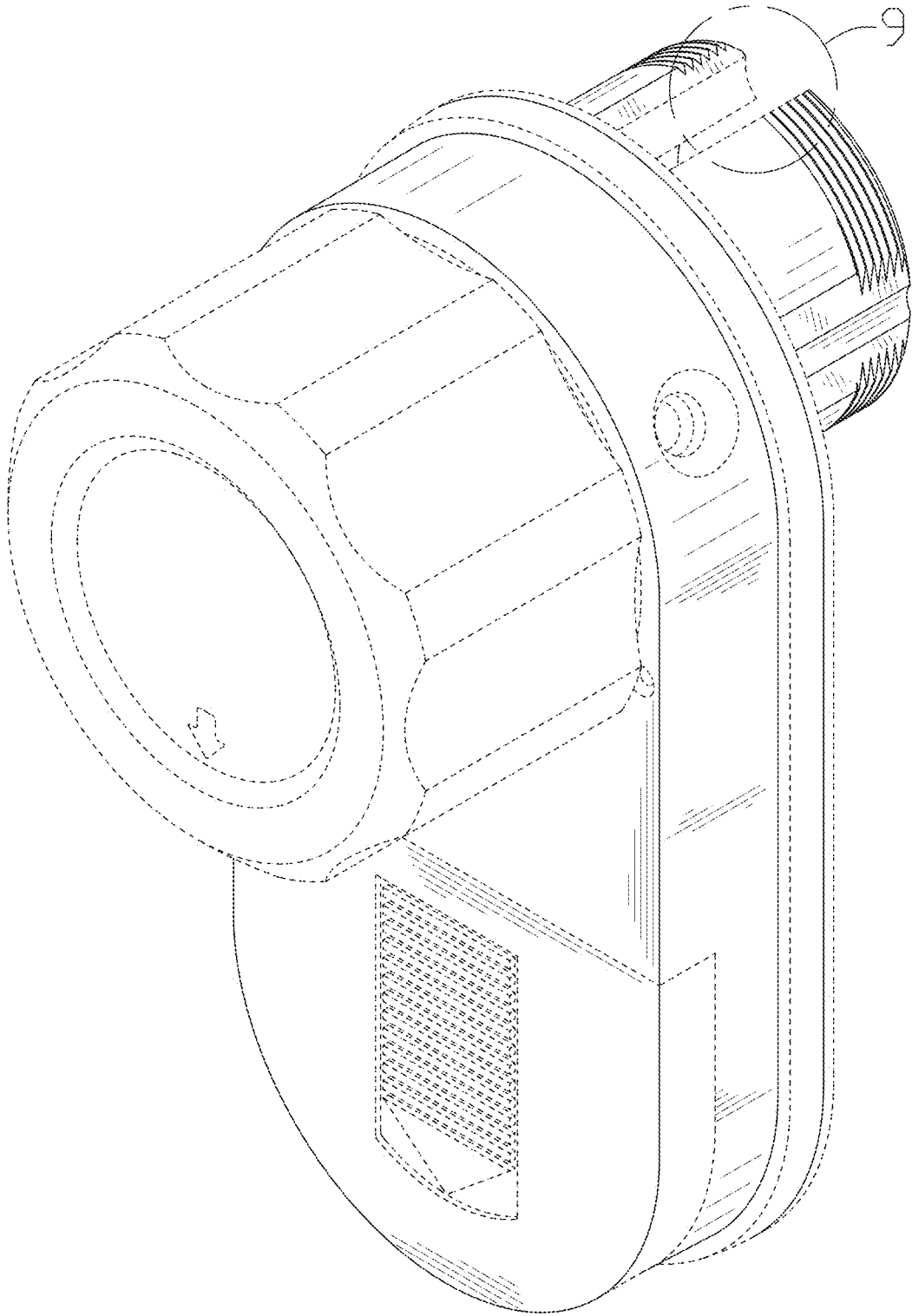


FIG. 1

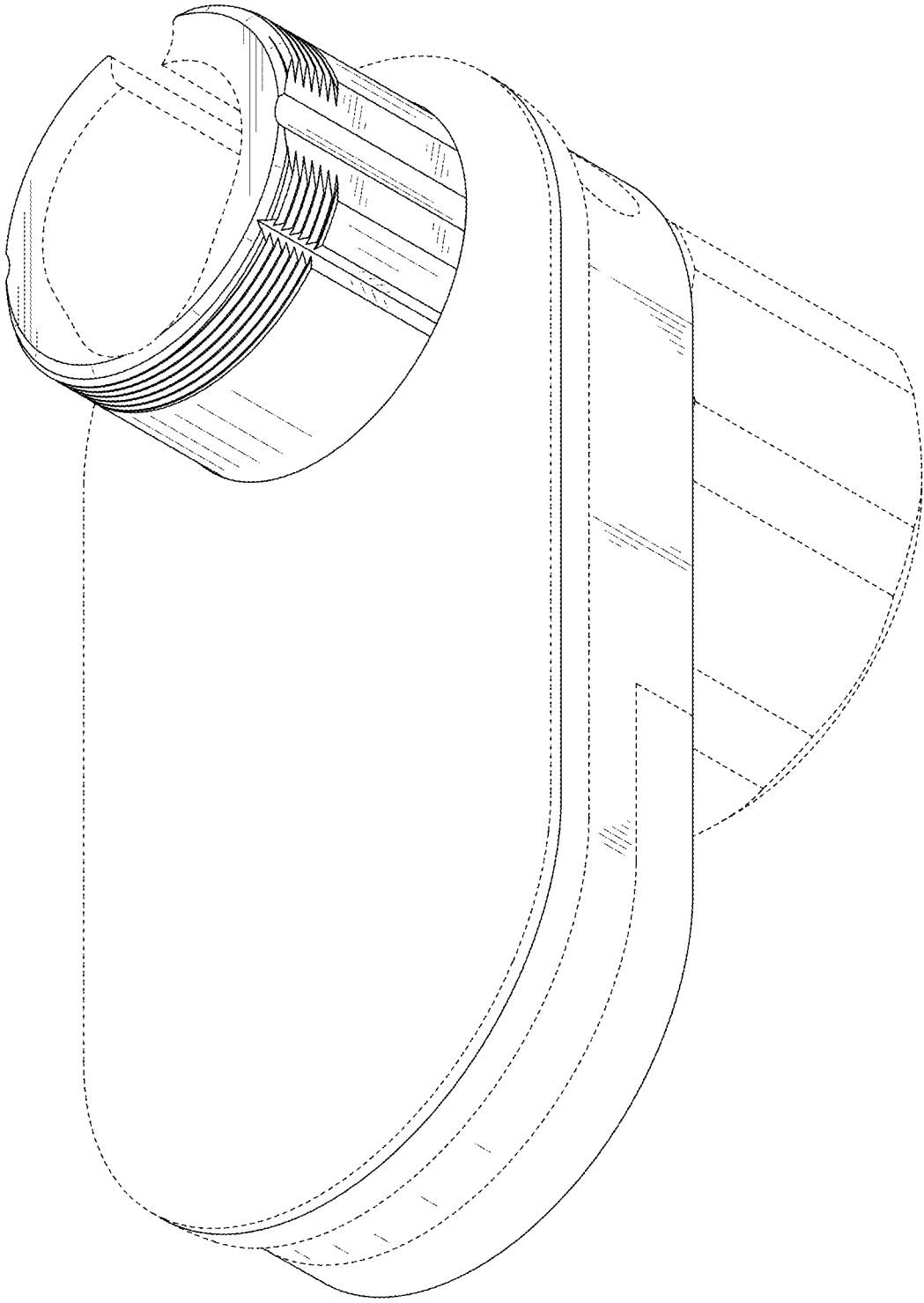


FIG. 2

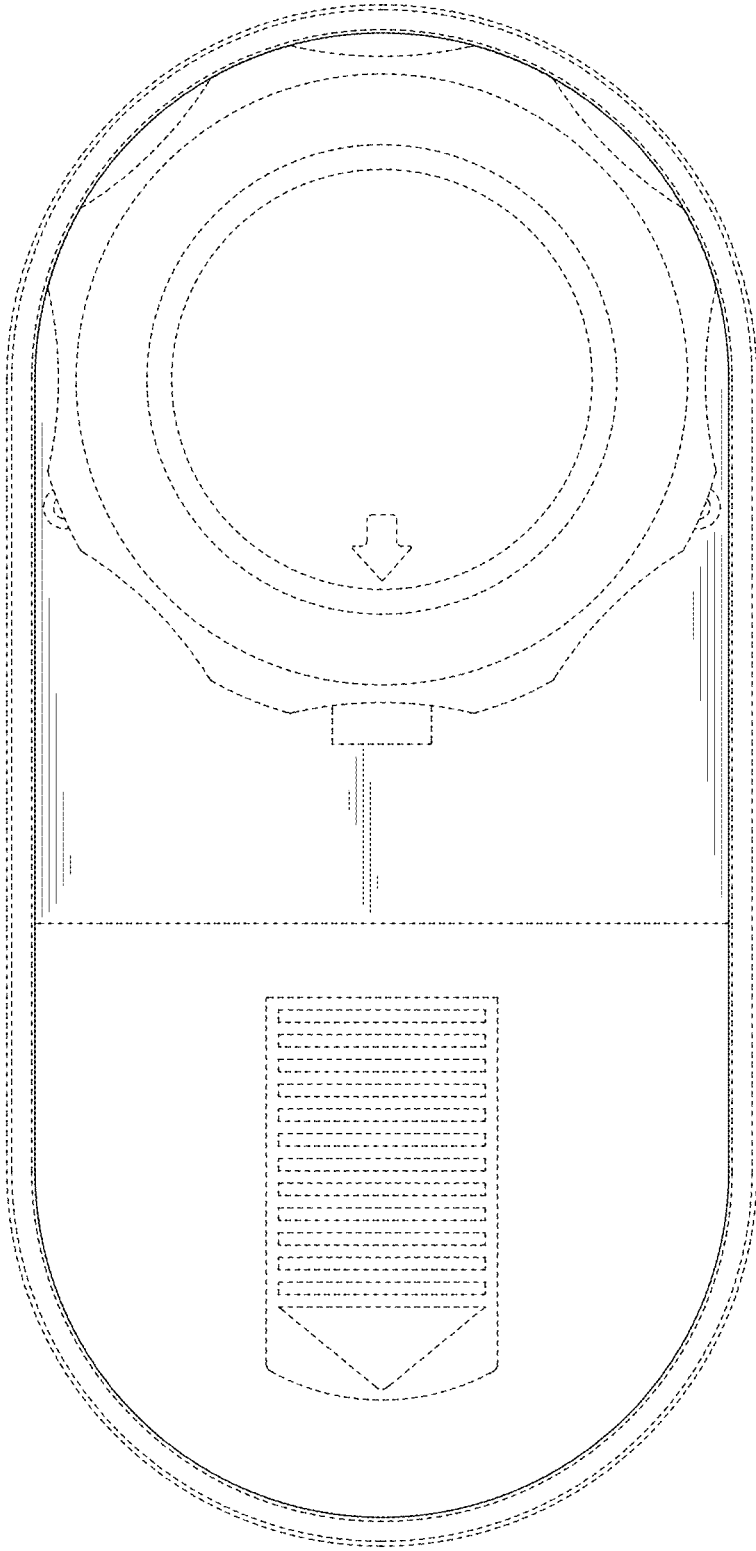


FIG. 3

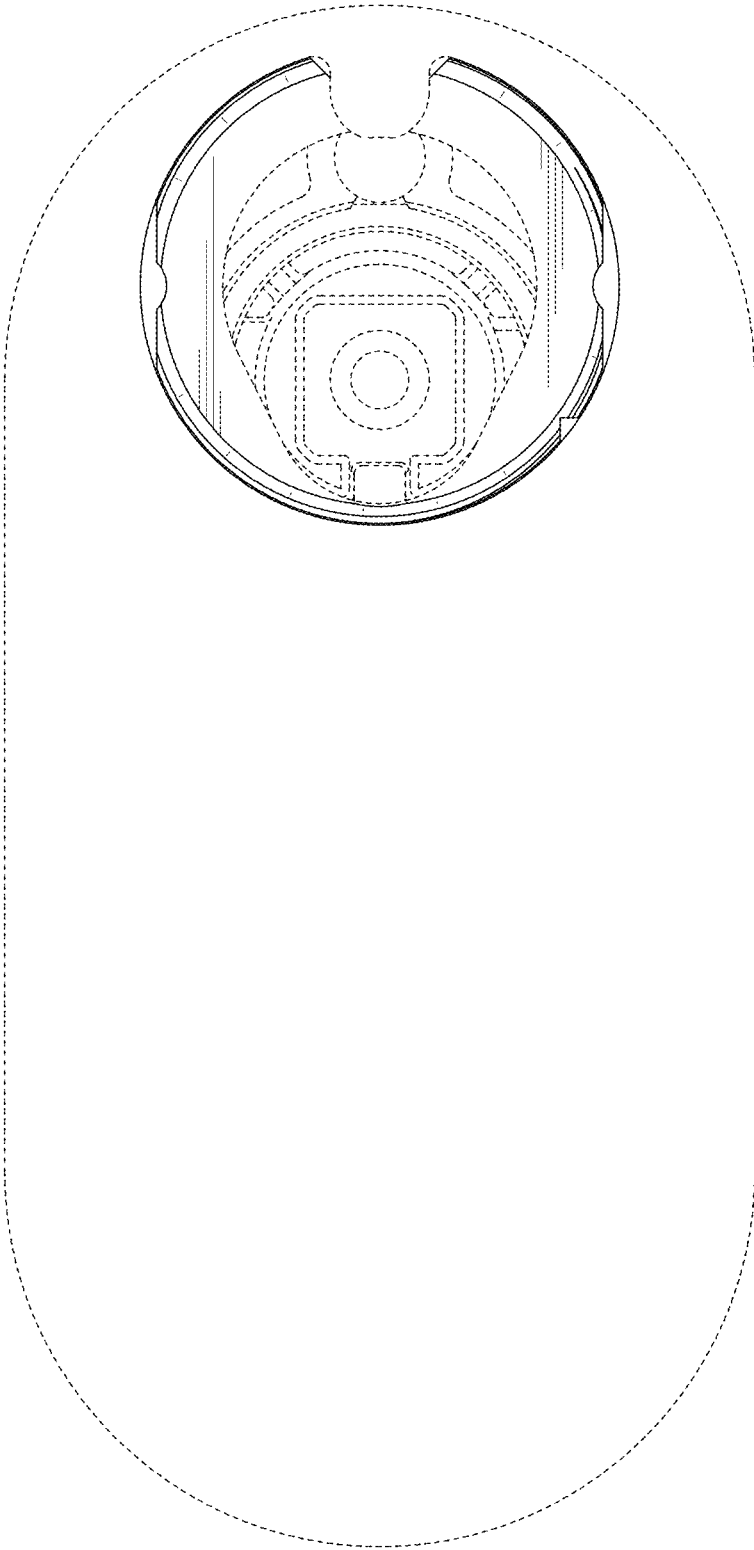


FIG. 4

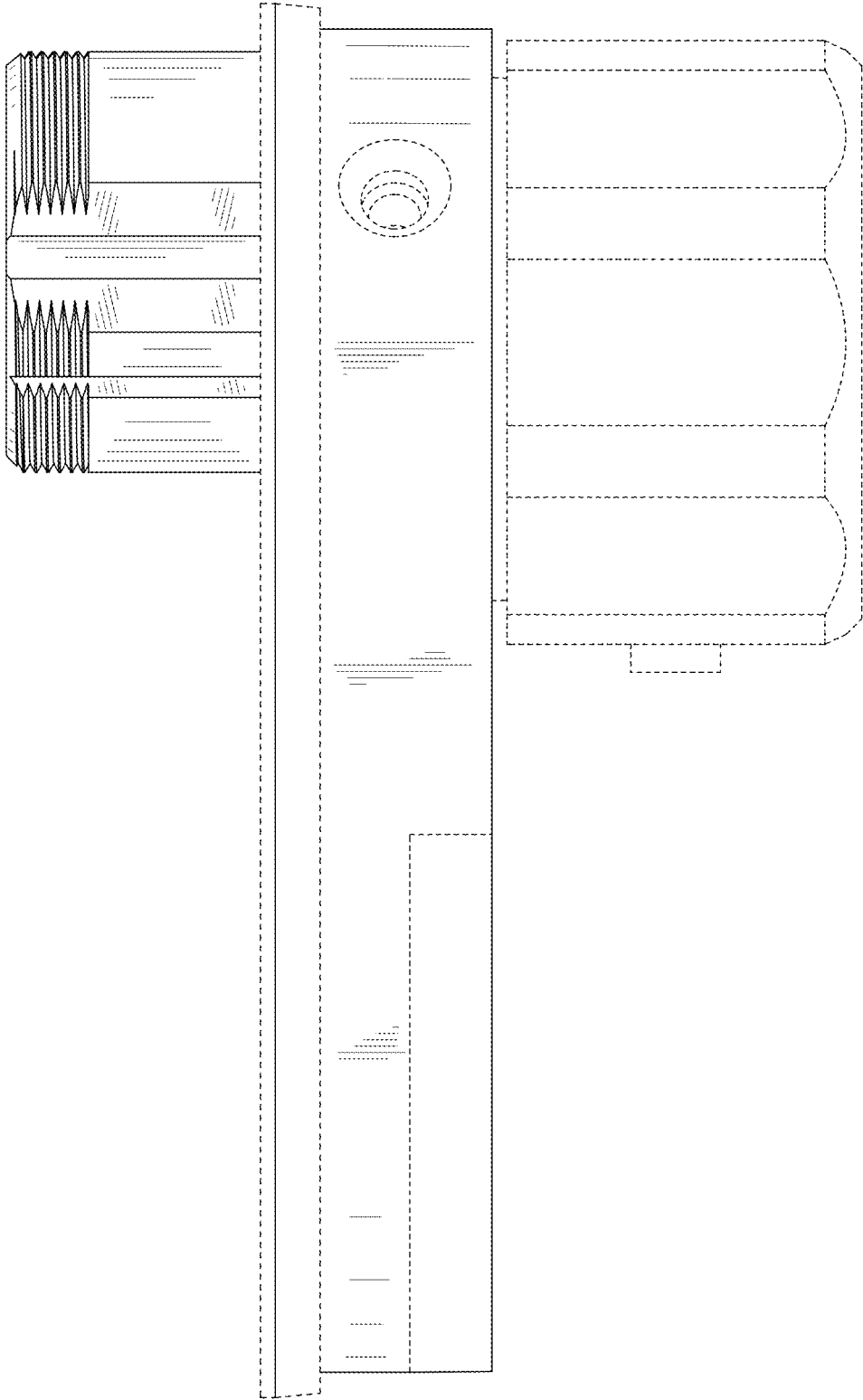


FIG. 5

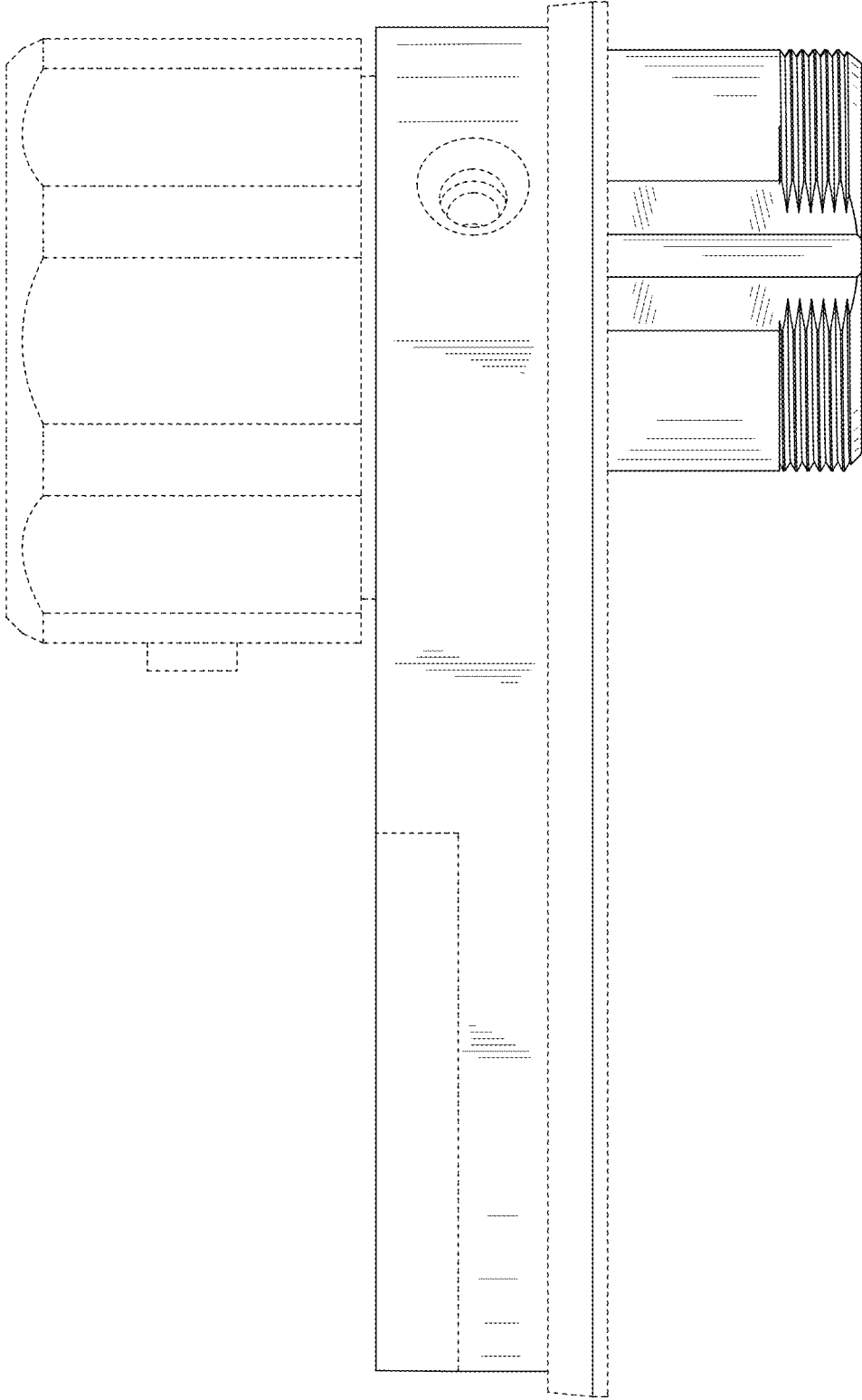


FIG. 6

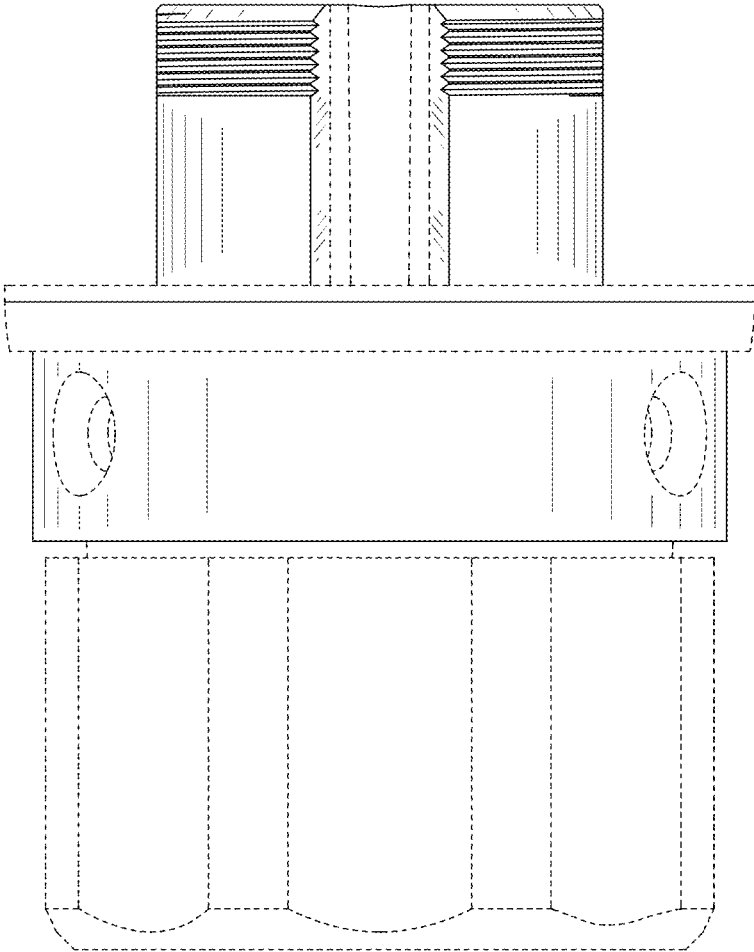


FIG. 7

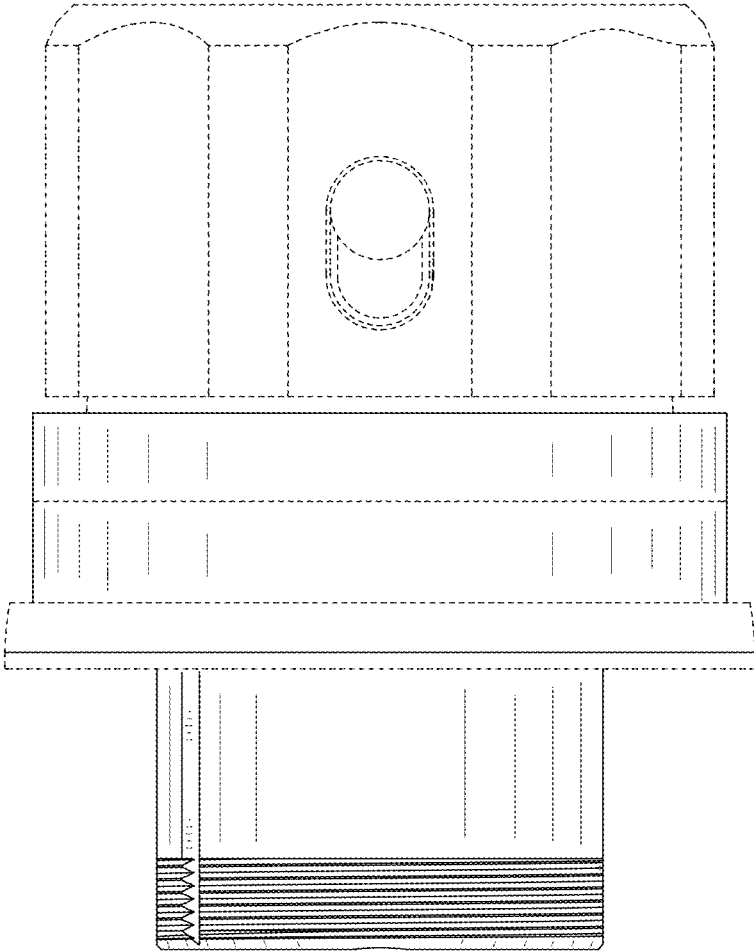


FIG. 8

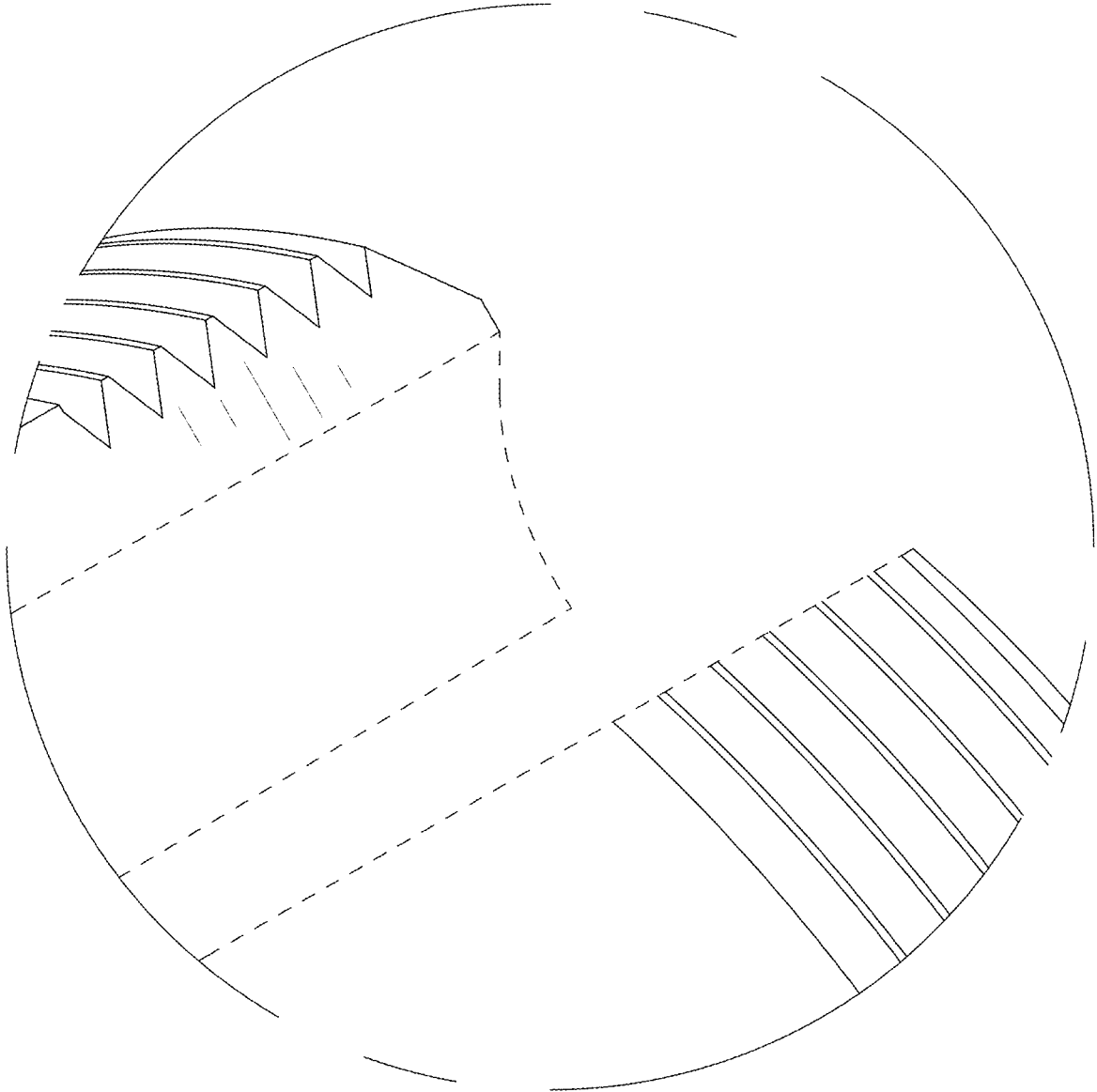


FIG. 9