



US00D429706S

**United States Patent** [19]  
**Miyazaki**

[11] **Patent Number: Des. 429,706**

[45] **Date of Patent: \*\* Aug. 22, 2000**

[54] **VIDEO TAPE RECORDER**

D. 408,409 4/1999 Ito et al. .... D14/156  
D. 416,018 11/1999 Ito et al. .... D14/156

[75] Inventor: **Tetsuro Miyazaki**, Tokyo, Japan

**OTHER PUBLICATIONS**

[73] Assignee: **Sony Corporation**, Japan

Catalog; "Video Equipment 1999"; Sony; Feb. 1999; pp. 288 & 289.

[\*\*] Term: **14 Years**

*Primary Examiner*—Richelle Shelton  
*Attorney, Agent, or Firm*—Rader, Fishman & Grauer

[21] Appl. No.: **29/111,880**

[57] **CLAIM**

[22] Filed: **Oct. 7, 1999**

The ornamental design for a video tape recorder, as shown and described.

[51] **LOC (7) Cl.** ..... **14-01**

[52] **U.S. Cl.** ..... **D14/135**

[58] **Field of Search** ..... D14/124, 125,  
D14/135, 136, 156, 160, 239; 386/46; 369/75.1

**DESCRIPTION**

[56] **References Cited**

**U.S. PATENT DOCUMENTS**

D. 339,125	9/1993	Shimose et al. ....	D14/135
D. 339,135	9/1993	Ito et al. ....	D14/156
D. 344,940	3/1994	Ito et al. ....	D14/135
D. 377,350	1/1997	Niitsu ....	D14/135
D. 394,655	5/1998	Niitsu ....	D14/156
D. 407,401	3/1999	Niitsu ....	D14/156

FIG. 1 is a perspective view of a video tape recorder showing my new design;  
FIG. 2 is a top plan view thereof;  
FIG. 3 is a bottom plan view thereof;  
FIG. 4 is a left side elevational view thereof;  
FIG. 5 is a right side elevational view thereof;  
FIG. 6 is a front elevational view thereof; and,  
FIG. 7 is a rear elevational view thereof.

**1 Claim, 4 Drawing Sheets**

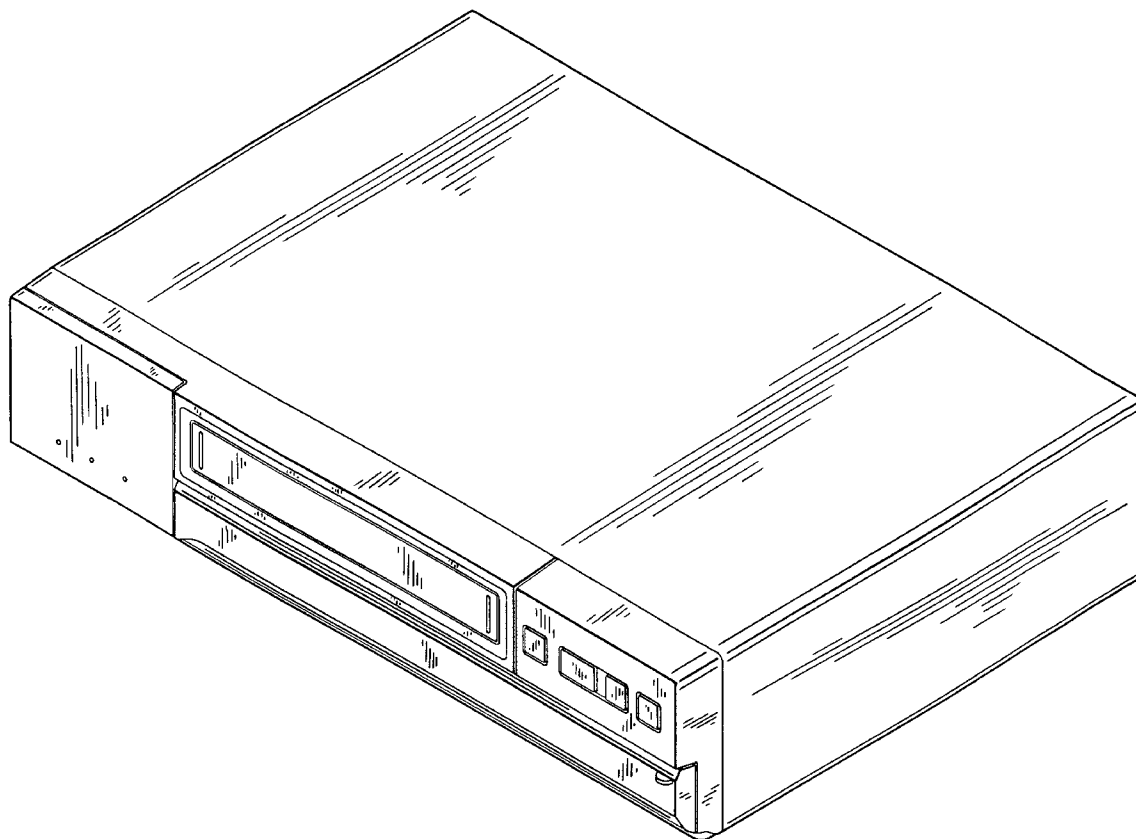


FIG. 1

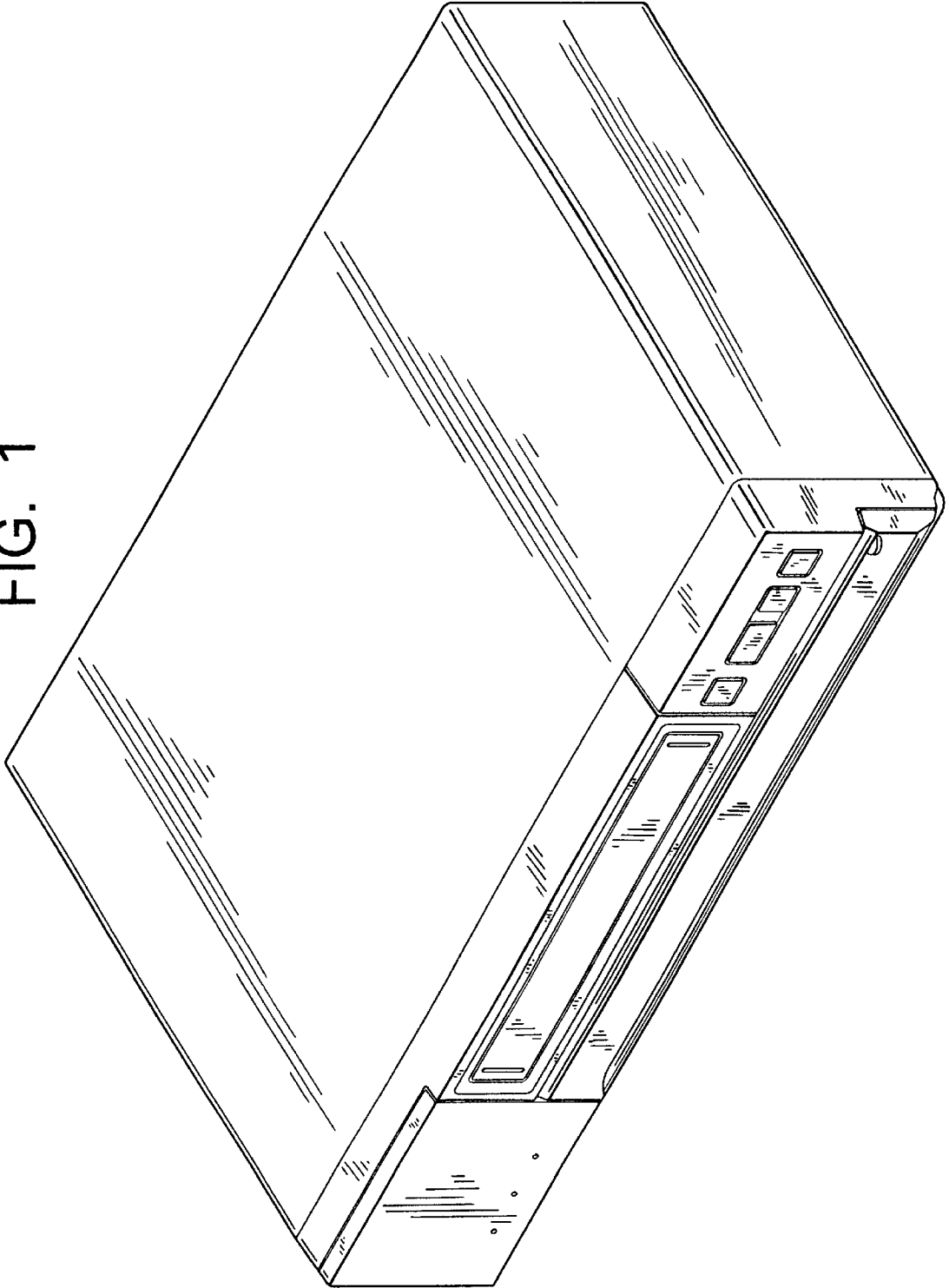


FIG. 2

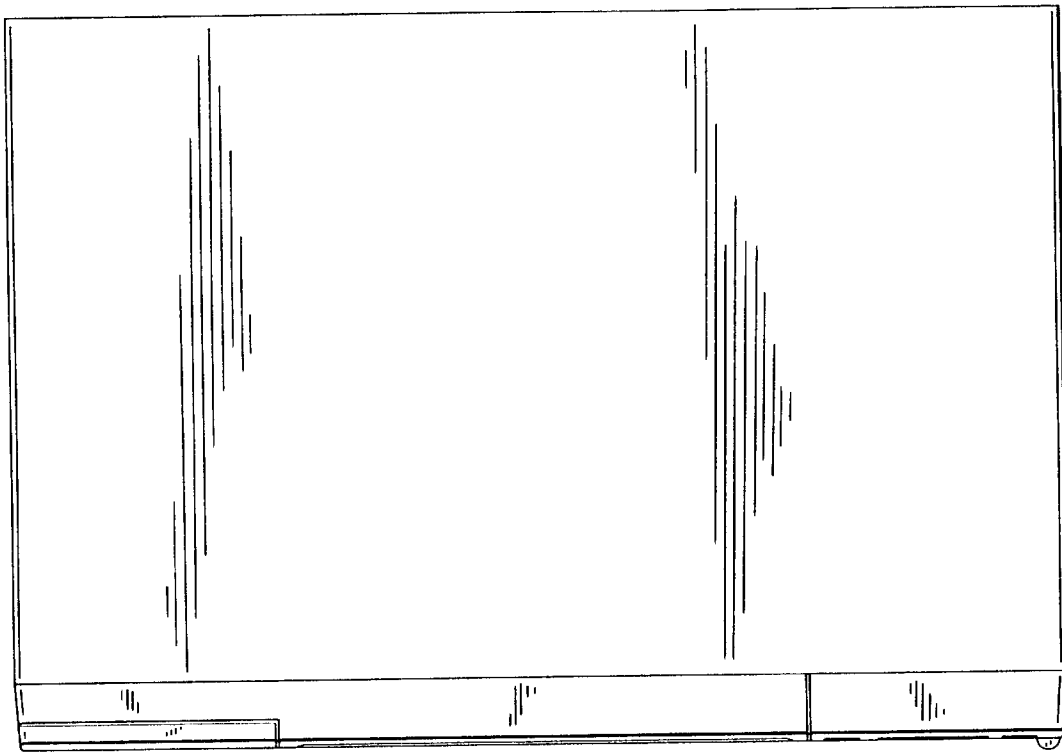


FIG. 3

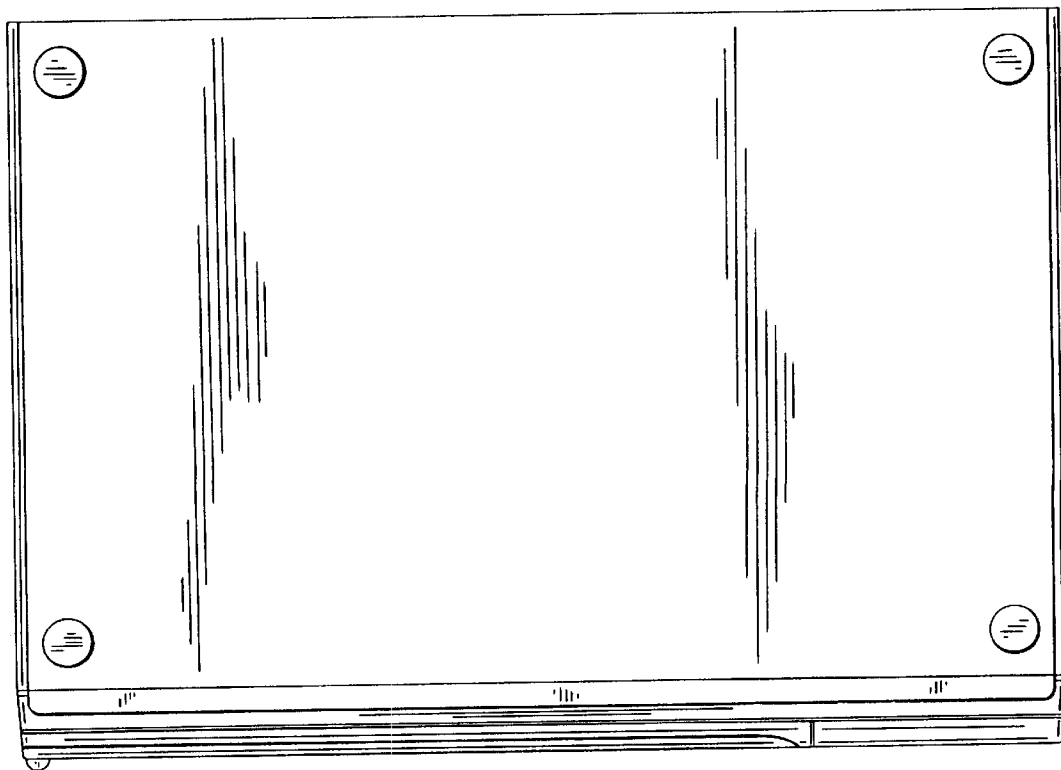


FIG. 4

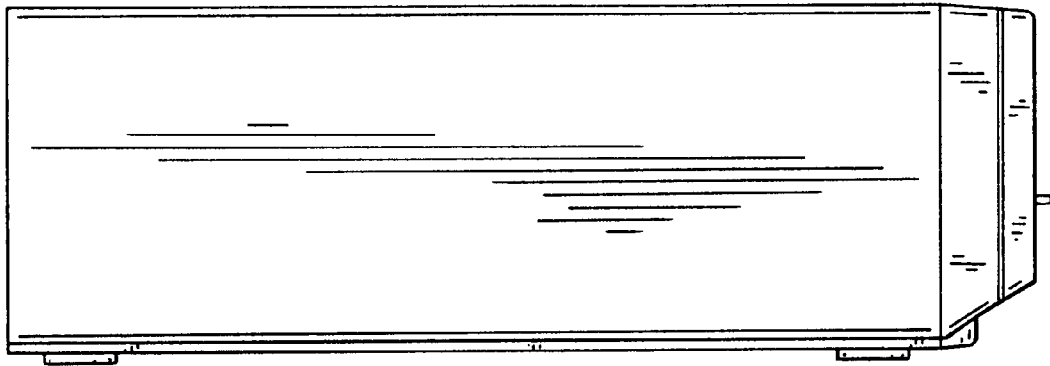


FIG. 5

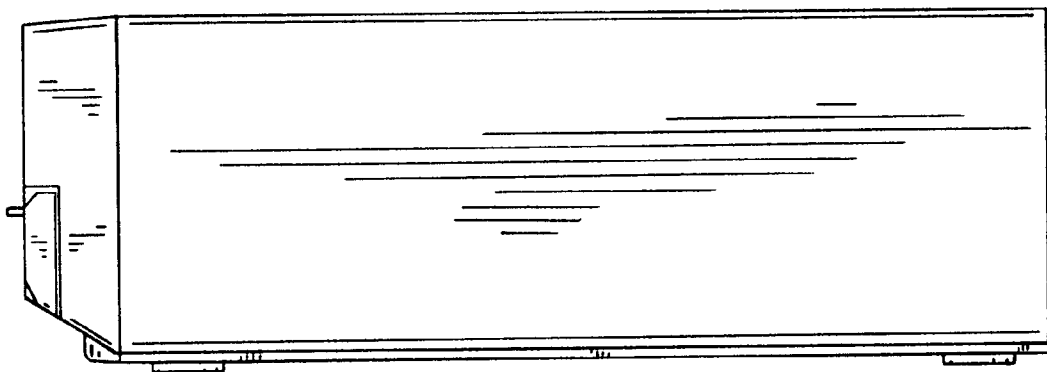


FIG. 6

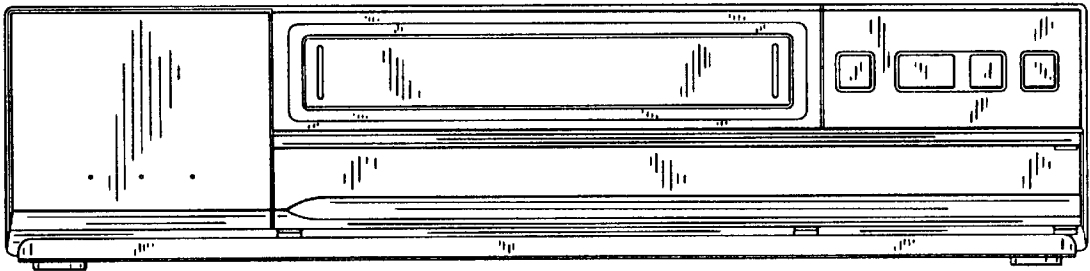


FIG. 7

