



(12) **United States Design Patent**  
**Rong**

(10) **Patent No.:** **US D993,940 S**  
(45) **Date of Patent:** **\*\* Aug. 1, 2023**

- (54) **PAIR OF WINGTIPS FOR EARPHONES**
- (71) Applicant: **Dongguan Edifier Technology Co., Ltd.**, Guangdong (CN)
- (72) Inventor: **Bo Rong**, Guangdong (CN)
- (73) Assignee: **Dongguan Edifier Technology Co., Ltd.**, Dongguan (CN)
- (\*\*) Term: **15 Years**

D470,123	S	*	2/2003	Hlas	.....	D14/205
D470,128	S	*	2/2003	Hlas	.....	D14/223
D470,129	S	*	2/2003	Hlas	.....	D14/223
D471,537	S	*	3/2003	Ham	.....	D14/223
6,914,997	B2	*	7/2005	MacDonald	.....	H04R 1/105 379/426
D510,574	S	*	10/2005	Okada	.....	D14/223
D566,104	S	*	4/2008	Suzuki	.....	D14/223
D574,367	S	*	8/2008	Jaakkola	.....	D14/223
D585,429	S	*	1/2009	Dean	.....	D14/223
D585,881	S	*	2/2009	Nam	.....	D14/223

(Continued)

- (21) Appl. No.: **29/805,688**
- (22) Filed: **Aug. 29, 2021**

**FOREIGN PATENT DOCUMENTS**

CN	304301289	*	9/2017
CN	306168213	*	11/2020

*Primary Examiner* — Paula Allen Greene

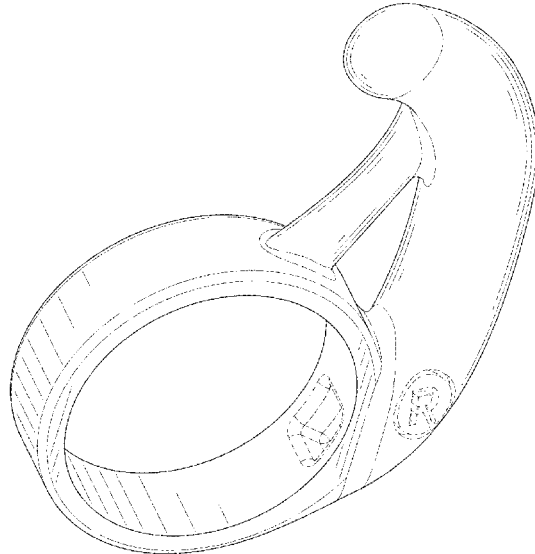
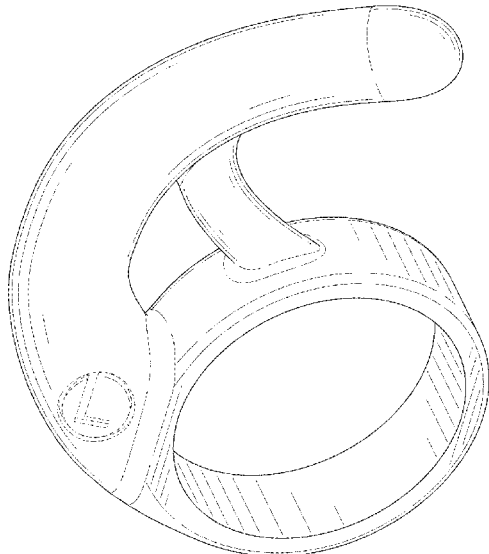
- (30) **Foreign Application Priority Data**  
May 18, 2021 (CN) ..... 202130296596.5
- (51) **LOC (14) Cl.** ..... **14-01**
- (52) **U.S. Cl.**  
USPC ..... **D14/223**
- (58) **Field of Classification Search**  
USPC ..... D14/223, 205; D24/174; 128/864-866;  
381/380-381  
CPC ..... H04R 1/10; H04R 25/00; H04R 25/02;  
H04R 1/1066; H04R 1/1016; H04R  
5/033; H04R 5/0335; H04R 1/105; H04R  
1/1091; A61F 11/06  
See application file for complete search history.

(57) **CLAIM**  
The ornamental design for a pair of wingtips for earphones, as shown and described.

**DESCRIPTION**

FIG. 1 is a top and front perspective view of a pair of wingtips for earphones showing my new design; FIG. 2 is a top and rear perspective view thereof; FIG. 3 is a front elevational view thereof; FIG. 4 is a rear elevational view thereof; FIG. 5 is a left side view of the left wingtip of the pair of wingtips for earphones shown separate from the right wingtip; FIG. 6 is a right side view of the right wingtip of the pair of wingtips for earphones shown separate from the left wingtip; FIG. 7 is a top plan view of the pair of wingtips for earphones; and, FIG. 8 is a bottom plan view thereof.  
The broken lines in the drawings illustrate portions of the pair of wingtips for earphones which form no part of the claimed design.

**1 Claim, 8 Drawing Sheets**



(56)

References Cited

U.S. PATENT DOCUMENTS

D622,704 S *	8/2010	Fahrendorff	.....	D14/223	D828,825 S *	9/2018	Samrelius	.....	D14/223
7,778,410 B2 *	8/2010	Liu	.....	H04M 1/05	D847,116 S *	4/2019	Silva	.....	D14/223
				381/381	D847,124 S *	4/2019	Smith	.....	D14/223
D628,990 S *	12/2010	Pedersen	.....	D14/223	D866,532 S *	11/2019	Zhang	.....	D14/223
D645,458 S *	9/2011	Silvestri	.....	H04R 1/1058	D870,079 S *	12/2019	Yun	.....	D14/223
				D14/223	D881,164 S *	4/2020	Luo	.....	D14/223
8,311,253 B2 *	11/2012	Silvestri	.....	H04R 1/1075	D895,581 S *	9/2020	Wu	.....	D14/223
				381/381	D902,890 S *	11/2020	Williamson	.....	D14/223
8,737,669 B2 *	5/2014	Monahan	.....	A61F 11/08	D930,618 S *	9/2021	Lindenberger	.....	D14/223
				381/328	D930,619 S *	9/2021	Lindenberger	.....	D14/223
D716,770 S *	11/2014	Bonahoom	.....	D14/223	D948,481 S *	4/2022	Czaniecki	.....	D14/223
8,897,480 B2 *	11/2014	Tan	.....	H04R 1/1016	2003/0048916 A1 *	3/2003	Chen	.....	H04R 1/1058
				381/370					381/322
D742,362 S *	11/2015	Bonahoom	.....	D14/223	2006/0291686 A1 *	12/2006	Hlas	.....	H04R 1/086
D759,633 S *	6/2016	Gondo	.....	D14/223					381/381
D763,224 S *	8/2016	Silvestri	.....	H04R 1/1058	2008/0247561 A1 *	10/2008	Smith	.....	A61F 11/08
				D14/223					381/72
D773,440 S *	12/2016	Pedersen	.....	D14/223	2012/0039501 A1 *	2/2012	Silvestri	.....	H04R 1/1075
D774,021 S *	12/2016	Pedersen	.....	D14/223					381/380
D777,149 S *	1/2017	Bonahoom	.....	D14/223	2014/0119589 A1 *	5/2014	Wyzisk	.....	H04R 1/105
D779,461 S *	2/2017	Smith	.....	D14/223					381/380
9,854,345 B2 *	12/2017	Briggs	.....	H04R 1/1016	2016/0073186 A1 *	3/2016	Searl	.....	H04R 1/105
D814,443 S *	4/2018	Sandanger	.....	H04R 1/1083					381/380
				D24/174	2018/0027318 A1 *	1/2018	Witt	.....	H04R 1/105
D822,646 S *	7/2018	Dang	.....	D14/223					381/182
					2018/0295437 A1 *	10/2018	Chen	.....	H04R 1/1066
					2018/0310089 A1 *	10/2018	Yun	.....	H04R 1/105
					2020/0204896 A1 *	6/2020	Hanson	.....	H04R 1/1016

\* cited by examiner

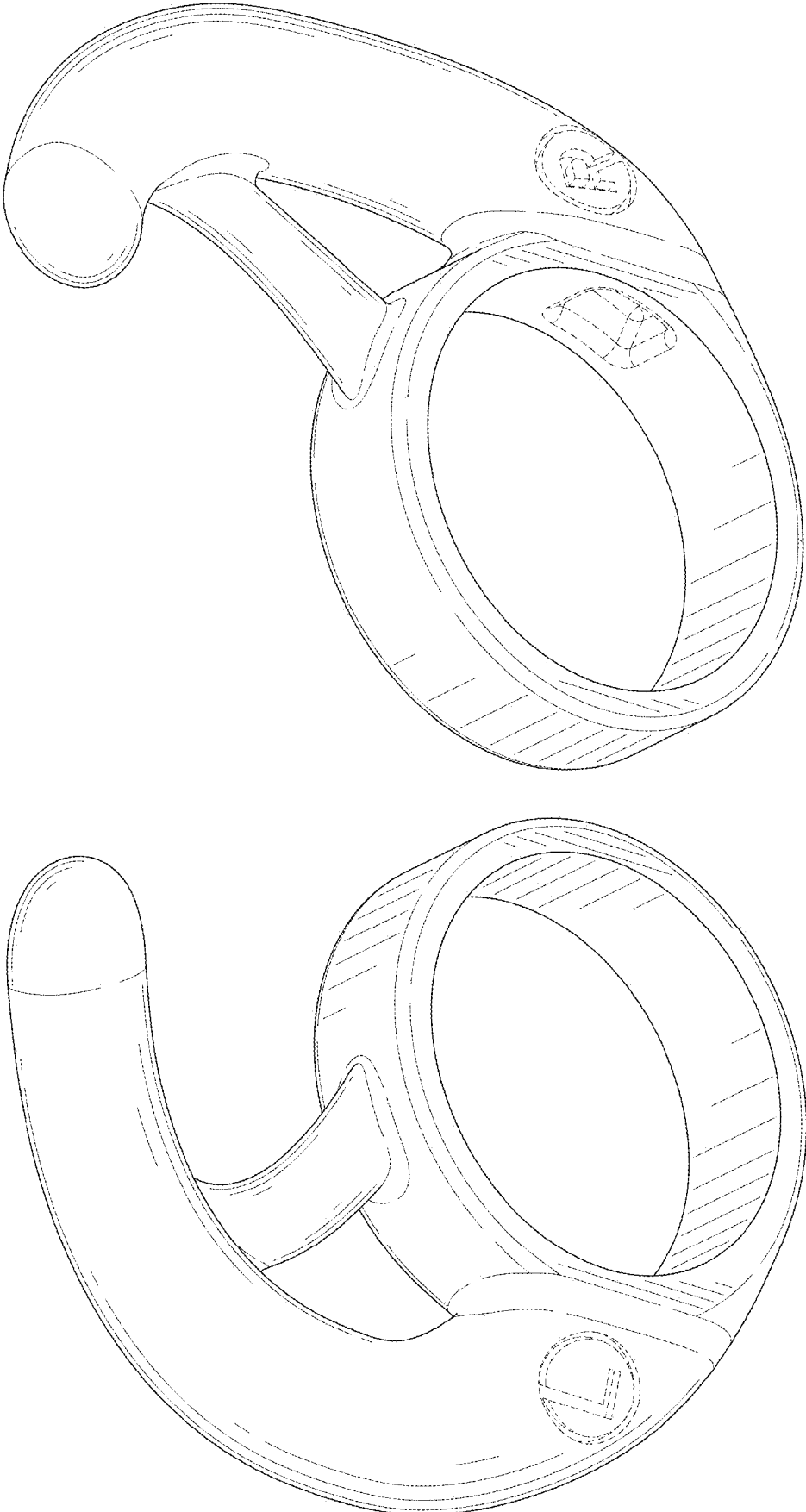


FIG. 1

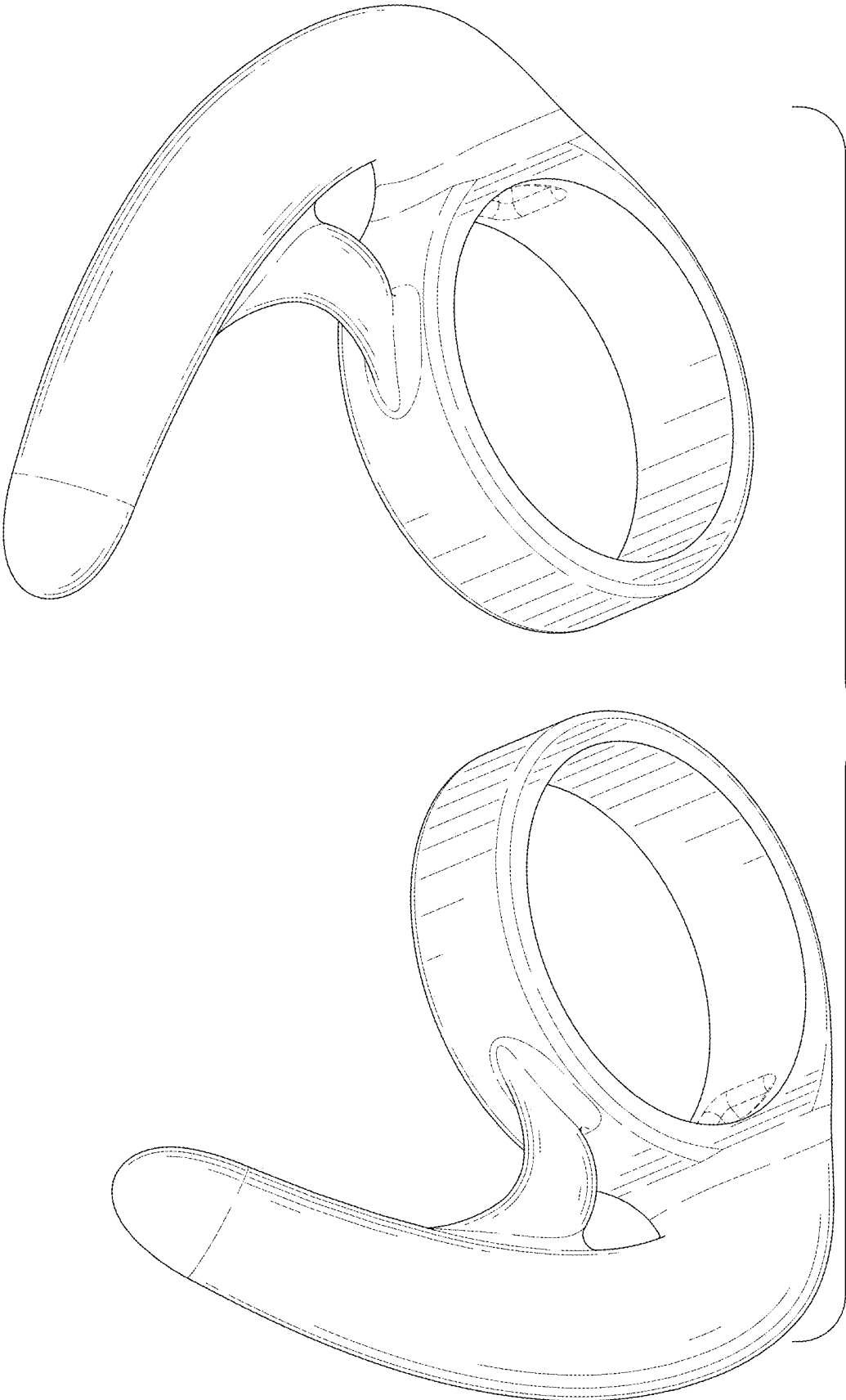


FIG. 2

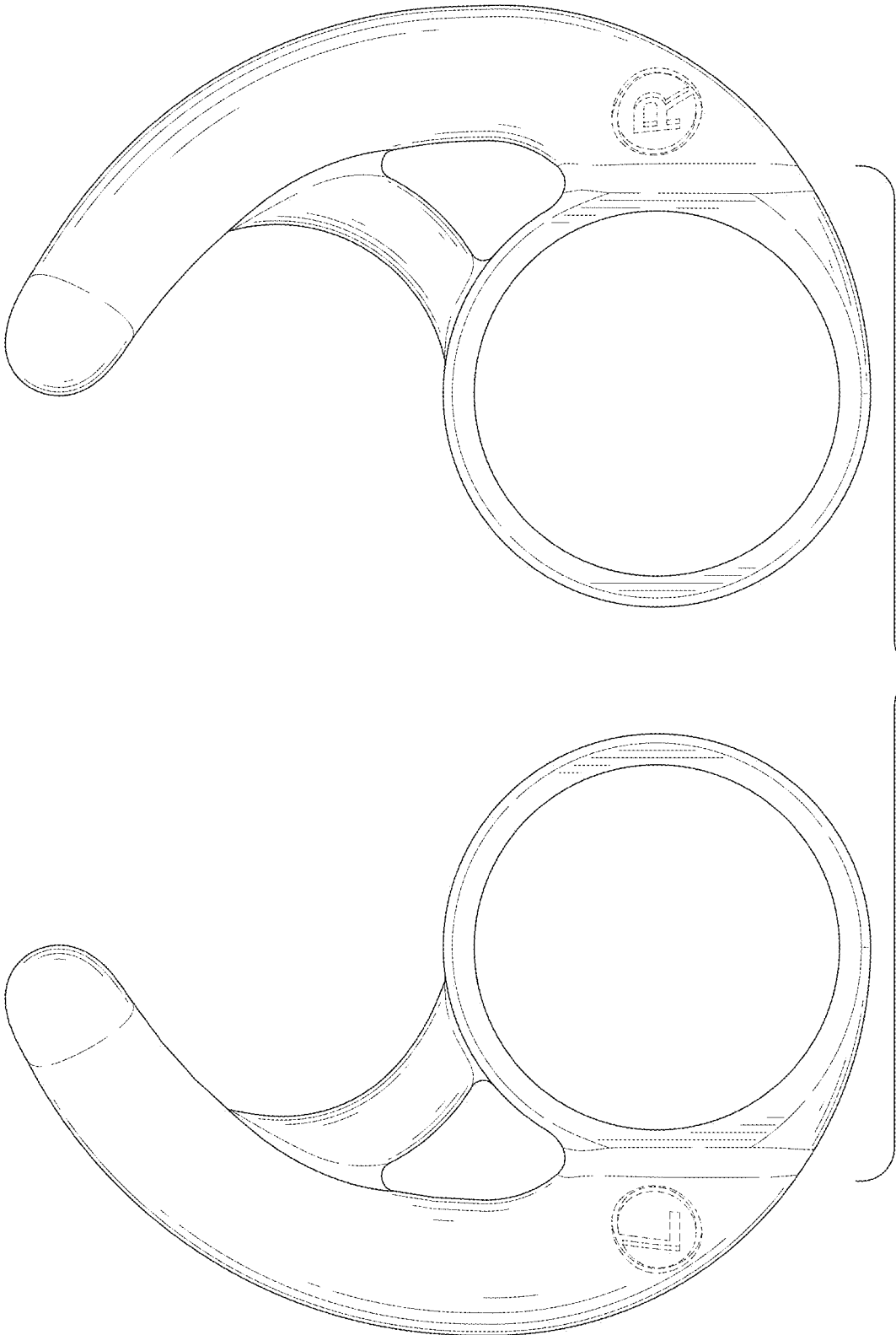


FIG. 3

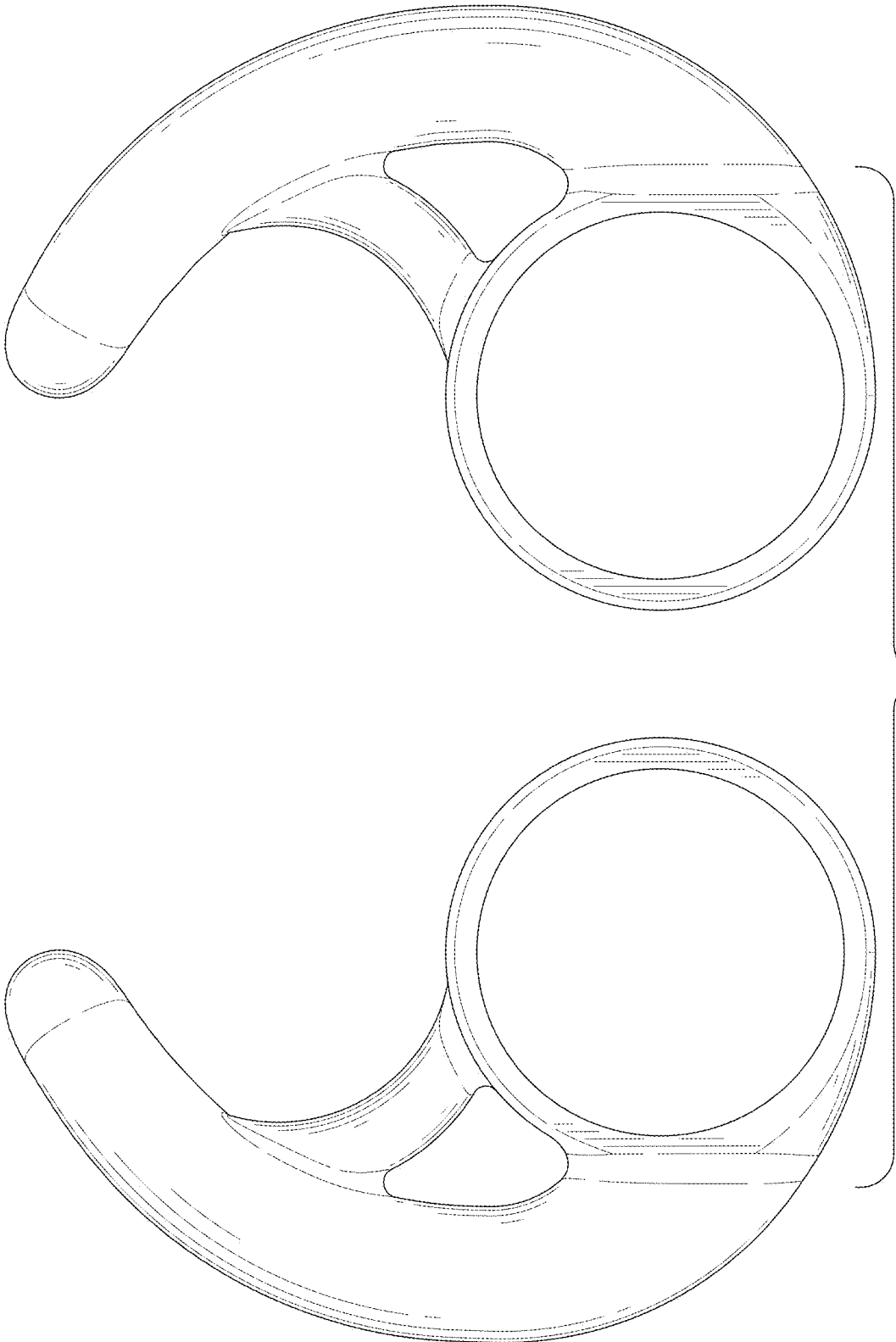


FIG. 4

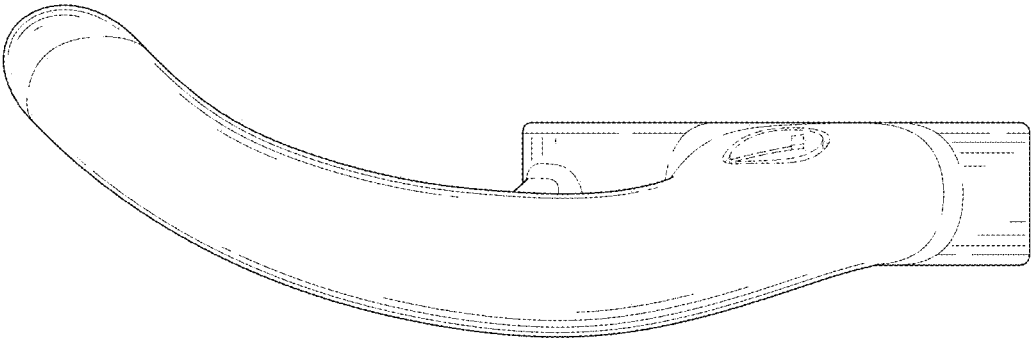


FIG. 5

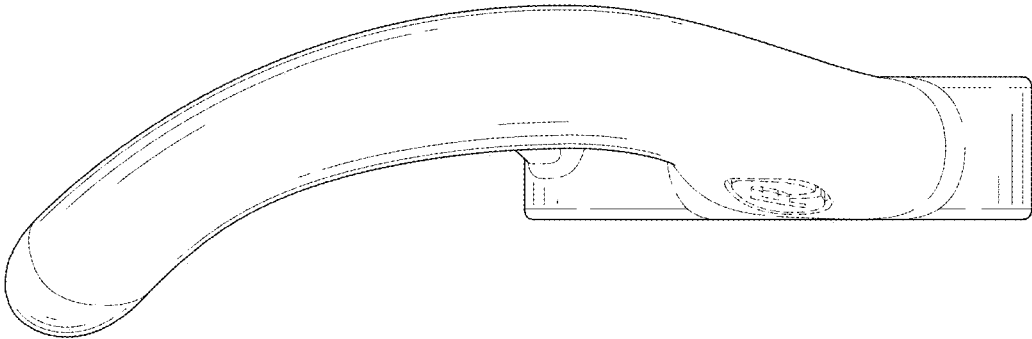


FIG. 6



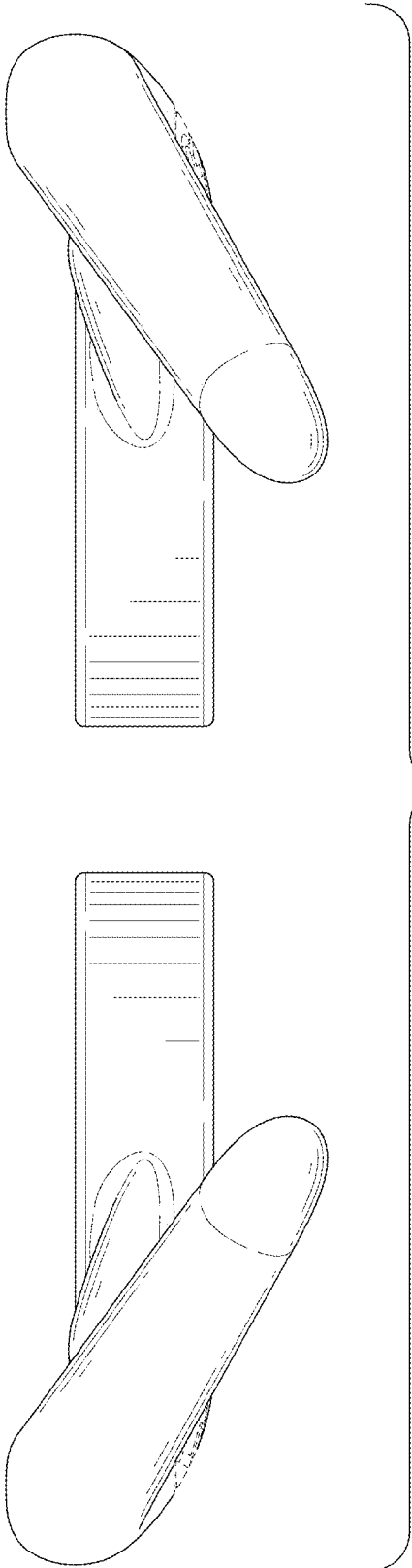


FIG. 7

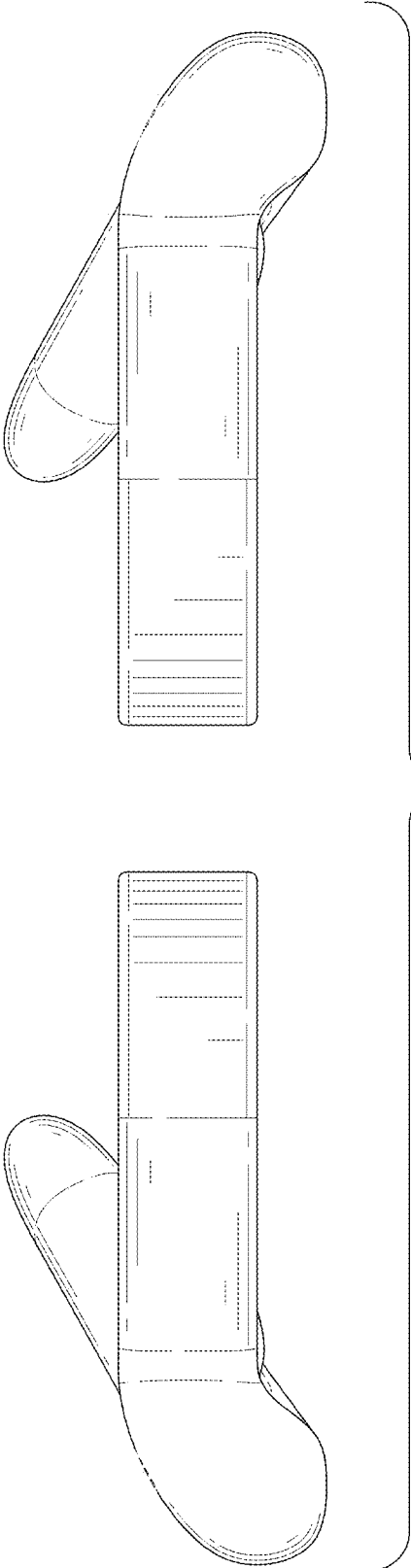


FIG. 8