

(19) World Intellectual Property Organization  
International Bureau



(43) International Publication Date  
30 November 2006 (30.11.2006)

PCT

(10) International Publication Number  
**WO 2006/128139 A3**

(51) International Patent Classification:  
G08C 17/02 (2006.01)

[US/US]; 11335 Stratton Avenue, Eden Prairie, MN 55344 (US).

(21) International Application Number:  
PCT/US2006/020835

(74) Agents: CHRISTENSON, Christopher, R. et al.; WESTMAN, CHAMPLIN & KELLY, P.A., 900 SECOND AVENUE SOUTH, Suite 1400, Minneapolis, MN 55402-3319 (US).

(22) International Filing Date: 26 May 2006 (26.05.2006)

(25) Filing Language: English

(81) Designated States (unless otherwise indicated, for every kind of national protection available): AE, AG, AL, AM, AT, AU, AZ, BA, BB, BG, BR, BW, BY, BZ, CA, CH, CN, CO, CR, CU, CZ, DE, DK, DM, DZ, EC, EE, EG, ES, FI, GB, GD, GE, GH, GM, HR, HU, ID, IL, IN, IS, JP, KE, KG, KM, KN, KP, KR, KZ, LC, LK, LR, LS, LT, LU, LV, LY, MA, MD, MG, MK, MN, MW, MX, MZ, NA, NG, NI, NO, NZ, OM, PG, PH, PL, PT, RO, RU, SC, SD, SE, SG, SK, SL, SM, SY, TJ, TM, TN, TR, TT, TZ, UA, UG, US, UZ, VC, VN, YU, ZA, ZM, ZW.

(26) Publication Language: English

(30) Priority Data:  
60/685,121 27 May 2005 (27.05.2005) US

(71) Applicant (for all designated States except US): ROSE-MOUNT, INC. [US/US]; 12001 Technology Drive, Eden Prairie, MN 55344 (US).

(72) Inventors; and

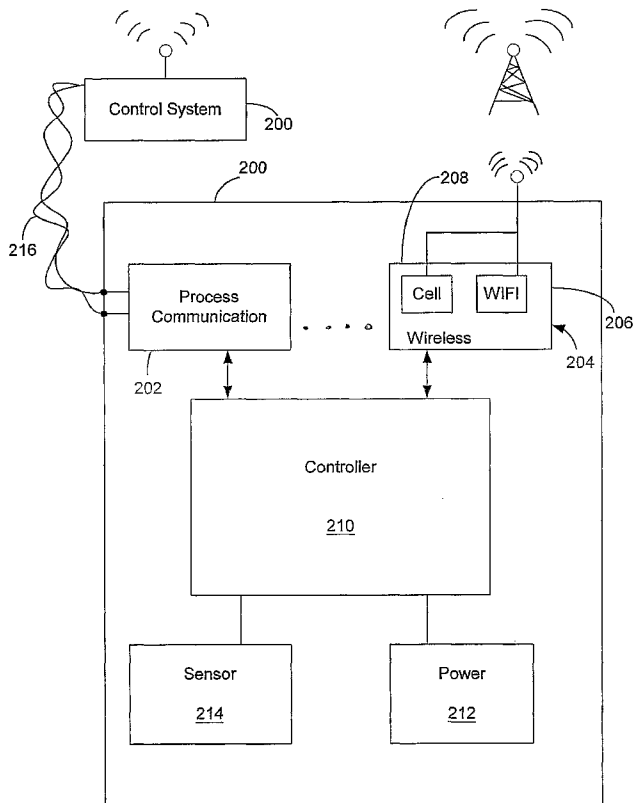
(84) Designated States (unless otherwise indicated, for every kind of regional protection available): ARIPO (BW, GH, GM, KE, LS, MW, MZ, NA, SD, SL, SZ, TZ, UG, ZM, ZW), Eurasian (AM, AZ, BY, KG, KZ, MD, RU, TJ, TM), European (AT, BE, BG, CH, CY, CZ, DE, DK, EE, ES, FI,

(75) Inventors/Applicants (for US only): SCHNAARE, Theodore, H. [US/US]; 235 Butternut Circle, Carver, MN 55315 (US). OSTBY, Philip, G. [US/US]; 9540 Joyce Road, Cologne, MN 55322 (US). SIERRA, Gabriel, L.

[Continued on next page]

(54) Title: METHOD OF SELECTING DATA COMMUNICATION PROVIDER IN A FIELD DEVICE

(57) Abstract: A method (100) and apparatus (200) are provided for allowing a field device (200) to select a data communication provider among a plurality of available data communication providers. Preferably, the method (100) includes periodically, or selectively, assessing the strengths and efficacy of data communication on one or more alternate data communication providers. The data communication provider with the strongest signal and/or most effective data communication is selected for use by the field device (200). Preferably, the field device (200) logs events where it switches among data communication providers.



WO 2006/128139 A3



FR, GB, GR, HU, IE, IS, IT, LT, LU, LV, MC, NL, PL, PT,  
RO, SE, SI, SK, TR), OAPI (BF, BJ, CF, CG, CI, CM, GA,  
GN, GQ, GW, ML, MR, NE, SN, TD, TG).

*For two-letter codes and other abbreviations, refer to the "Guidance Notes on Codes and Abbreviations" appearing at the beginning of each regular issue of the PCT Gazette.*

**Published:**

- *with international search report*
- *before the expiration of the time limit for amending the claims and to be republished in the event of receipt of amendments*

**(88) Date of publication of the international search report:**

1 February 2007

# INTERNATIONAL SEARCH REPORT

International application No  
PCT/US2006/020835

**A. CLASSIFICATION OF SUBJECT MATTER**  
INV. G08C17/02

According to International Patent Classification (IPC) or to both national classification and IPC

**B. FIELDS SEARCHED**

Minimum documentation searched (classification system followed by classification symbols)  
G08C

Documentation searched other than minimum documentation to the extent that such documents are included in the fields searched

Electronic data base consulted during the international search (name of data base and, where practical, search terms used)

EPO-Internal

**C. DOCUMENTS CONSIDERED TO BE RELEVANT**

Category*	Citation of document, with indication, where appropriate, of the relevant passages	Relevant to claim No.
X	US 2004/259533 A1 (NIXON MARK [US] ET AL) 23 December 2004 (2004-12-23) paragraph [0026] - paragraph [0036] paragraph [0042] - paragraph [0043] paragraph [0045] - paragraph [0048] paragraph [0056] - paragraph [0057]	1-25

Further documents are listed in the continuation of Box C.

See patent family annex.

\* Special categories of cited documents :

- \*A\* document defining the general state of the art which is not considered to be of particular relevance
- \*E\* earlier document but published on or after the international filing date
- \*L\* document which may throw doubts on priority claim(s) or which is cited to establish the publication date of another citation or other special reason (as specified)
- \*O\* document referring to an oral disclosure, use, exhibition or other means
- \*P\* document published prior to the international filing date but later than the priority date claimed

- \*T\* later document published after the international filing date or priority date and not in conflict with the application but cited to understand the principle or theory underlying the invention
- \*X\* document of particular relevance; the claimed invention cannot be considered novel or cannot be considered to involve an inventive step when the document is taken alone
- \*Y\* document of particular relevance; the claimed invention cannot be considered to involve an inventive step when the document is combined with one or more other such documents, such combination being obvious to a person skilled in the art.
- \* & \* document member of the same patent family

Date of the actual completion of the international search

13 November 2006

Date of mailing of the international search report

21/11/2006

Name and mailing address of the ISA/

European Patent Office, P.B. 5818 Patentlaan 2  
 NL - 2280 HV Rijswijk  
 Tel. (+31-70) 340-2040, Tx. 31 651 epo nl,  
 Fax: (+31-70) 340-3016

Authorized officer

Pham, Phong

# INTERNATIONAL SEARCH REPORT

Information on patent family members

International application No

PCT/US2006/020835

Patent document cited in search report	Publication date	Patent family member(s)	Publication date
US 2004259533 A1	23-12-2004	CN 1620026 A	25-05-2005
		DE 102004029022 A1	10-02-2005
		GB 2403043 A	22-12-2004
		JP 2005051746 A	24-02-2005
		US 2005276233 A1	15-12-2005

---