



US00D664261S

(12) **United States Design Patent**  
**Kravitz et al.**

(10) **Patent No.:** **US D664,261 S**

(45) **Date of Patent:** **\*\* Jul. 24, 2012**

(54) **TRANSPORTATION BAG**

(75) Inventors: **David C. Kravitz**, Barrington Hills, IL (US); **Peter Demuylder**, Londerzeel (BE); **Brian Otts**, Warrior, AL (US); **Stephan Merkle**, Chicago, IL (US); **Jeremiah P. O’Leary**, Chicago, IL (US); **Christopher E. Svensrud**, Chicago, IL (US)

(73) Assignee: **Lifeline Scientific, Inc.**, Itasca, IL (US)

(\*\*) Term: **14 Years**

(21) Appl. No.: **29/410,727**

(22) Filed: **Jan. 11, 2012**

(51) **LOC (9) Cl.** ..... **24-02**

(52) **U.S. Cl.** ..... **D24/216; D24/107; D3/276; D7/605**

(58) **Field of Classification Search** ..... D3/273, D3/276, 280, 283–293, 301, 300, 294; 190/100–127, 190/900–903; 150/106, 107, 108, 110, 111, 150/112, 118; 435/284.1; D24/216, 107; 62/371, 457.1; D7/605–607

See application file for complete search history.

(56) **References Cited**

**U.S. PATENT DOCUMENTS**

D281,121 S \* 10/1985 Cunliffe ..... D3/208  
5,285,657 A \* 2/1994 Bacchi et al. .... 62/371

6,658,857 B1 \* 12/2003 George ..... 62/3.1  
D509,959 S \* 9/2005 Nykoluk ..... D3/289  
D530,915 S \* 10/2006 Sijmons ..... D3/289  
D620,708 S \* 8/2010 Sanz ..... D3/276  
2010/0062519 A1 \* 3/2010 Franklin et al. .... 435/284.1

**OTHER PUBLICATIONS**

U.S. Appl. No. 13/348,195, filed Jan. 11, 2012.

\* cited by examiner

*Primary Examiner* — Jennifer Rivard

(74) *Attorney, Agent, or Firm* — Oliff & Berridge, PLC

(57) **CLAIM**

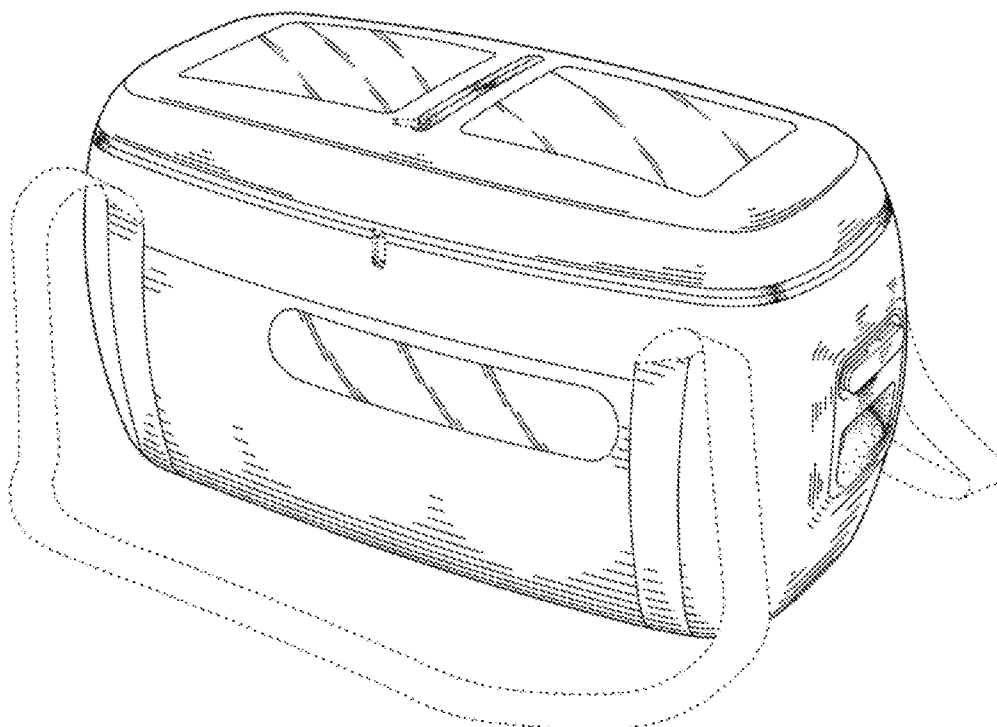
The ornamental design for a transportation bag, as shown and described.

**DESCRIPTION**

FIG. 1 is a perspective view of a transportation bag; FIG. 2 is a front view thereof; FIG. 3 is a top view thereof; FIG. 4 is a right side view thereof; FIG. 5 is a left side view thereof; FIG. 6 is a rear view thereof; FIG. 7 is a bottom view thereof; and, FIG. 8 is a sectional view taken along line 8A of FIG. 5 from 8B to 8C.

The broken lines depict environmental subject matter only and form no part of the claimed design.

**1 Claim, 8 Drawing Sheets**



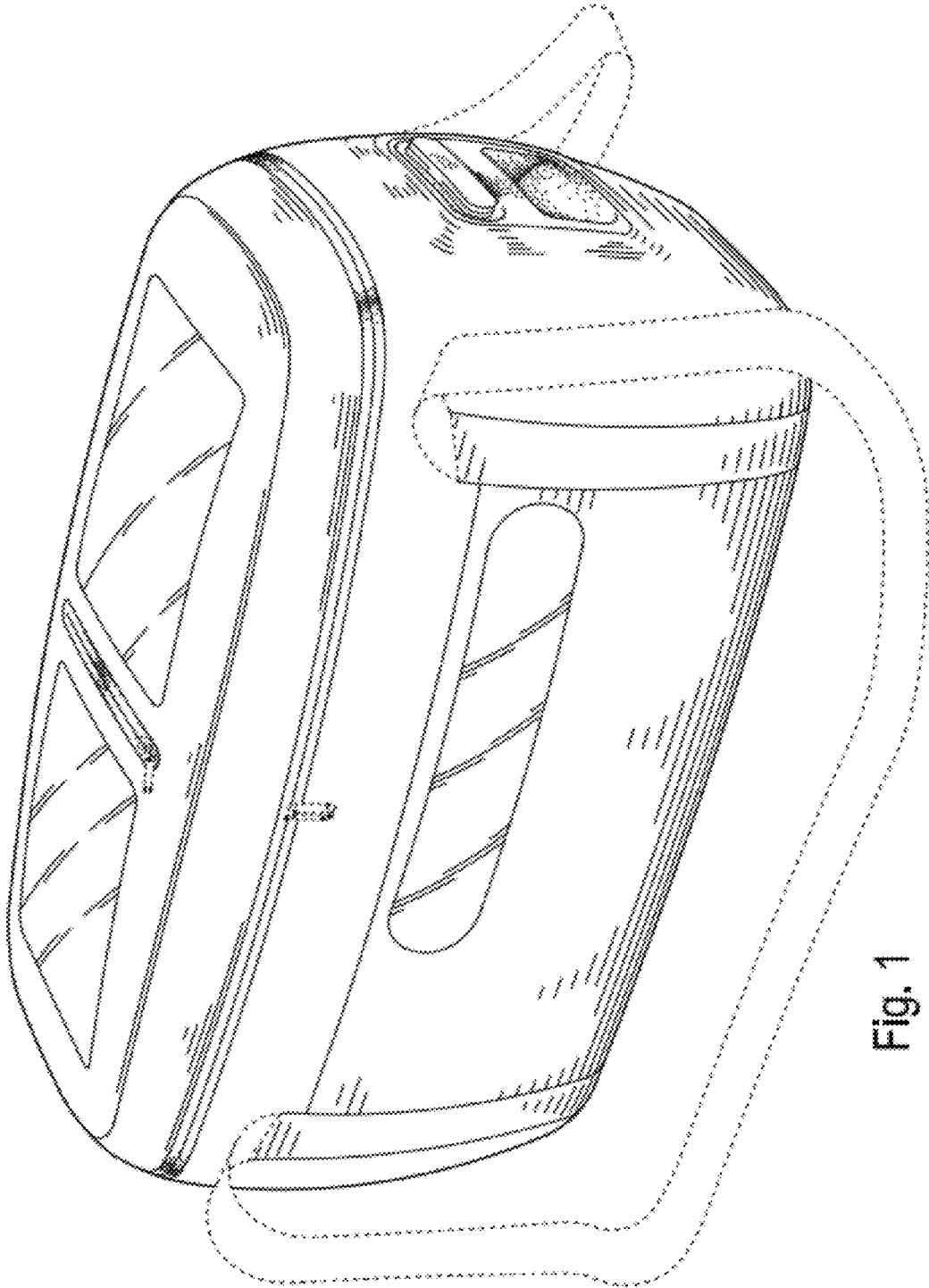


Fig. 1

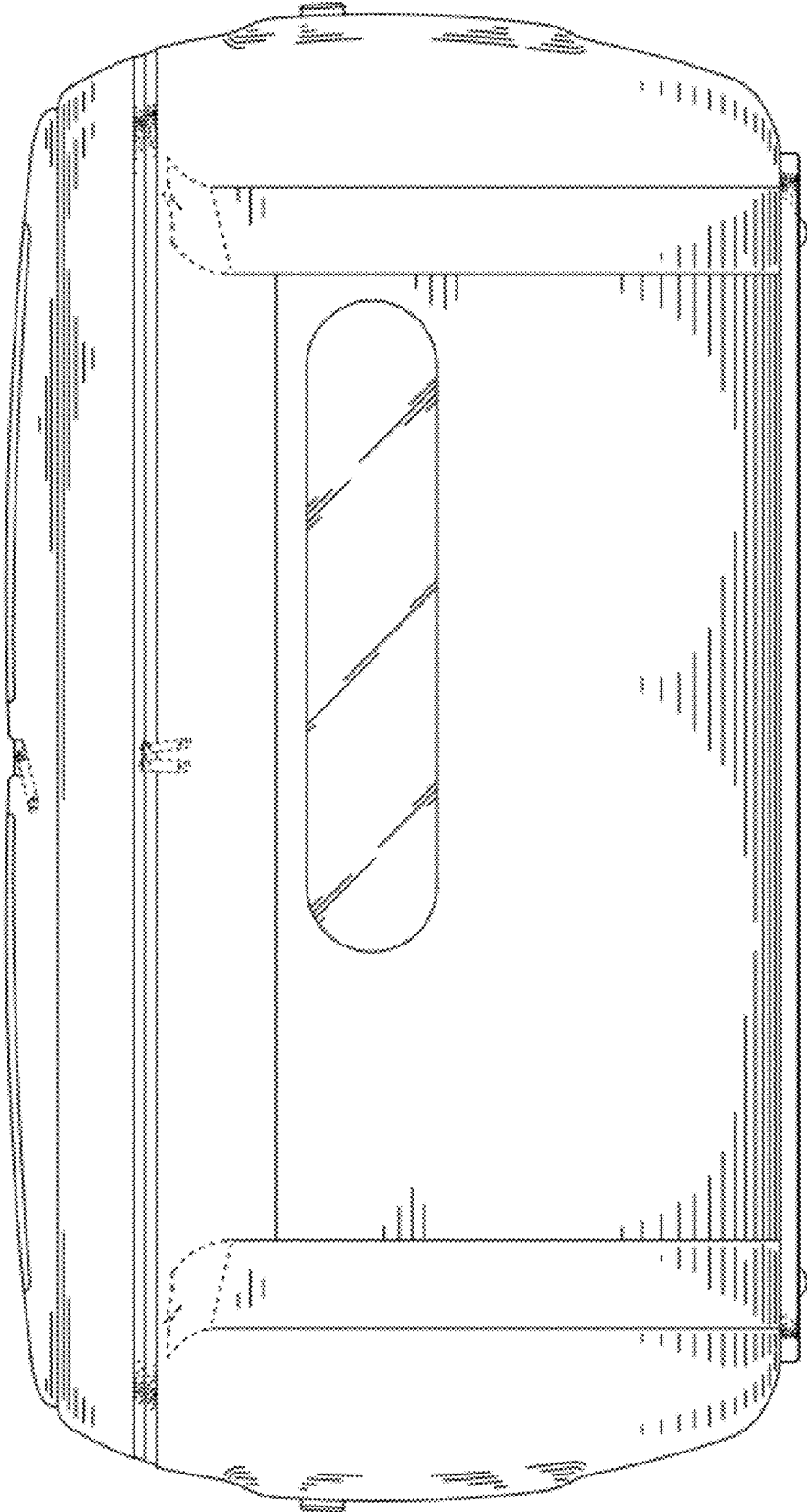


Fig. 2

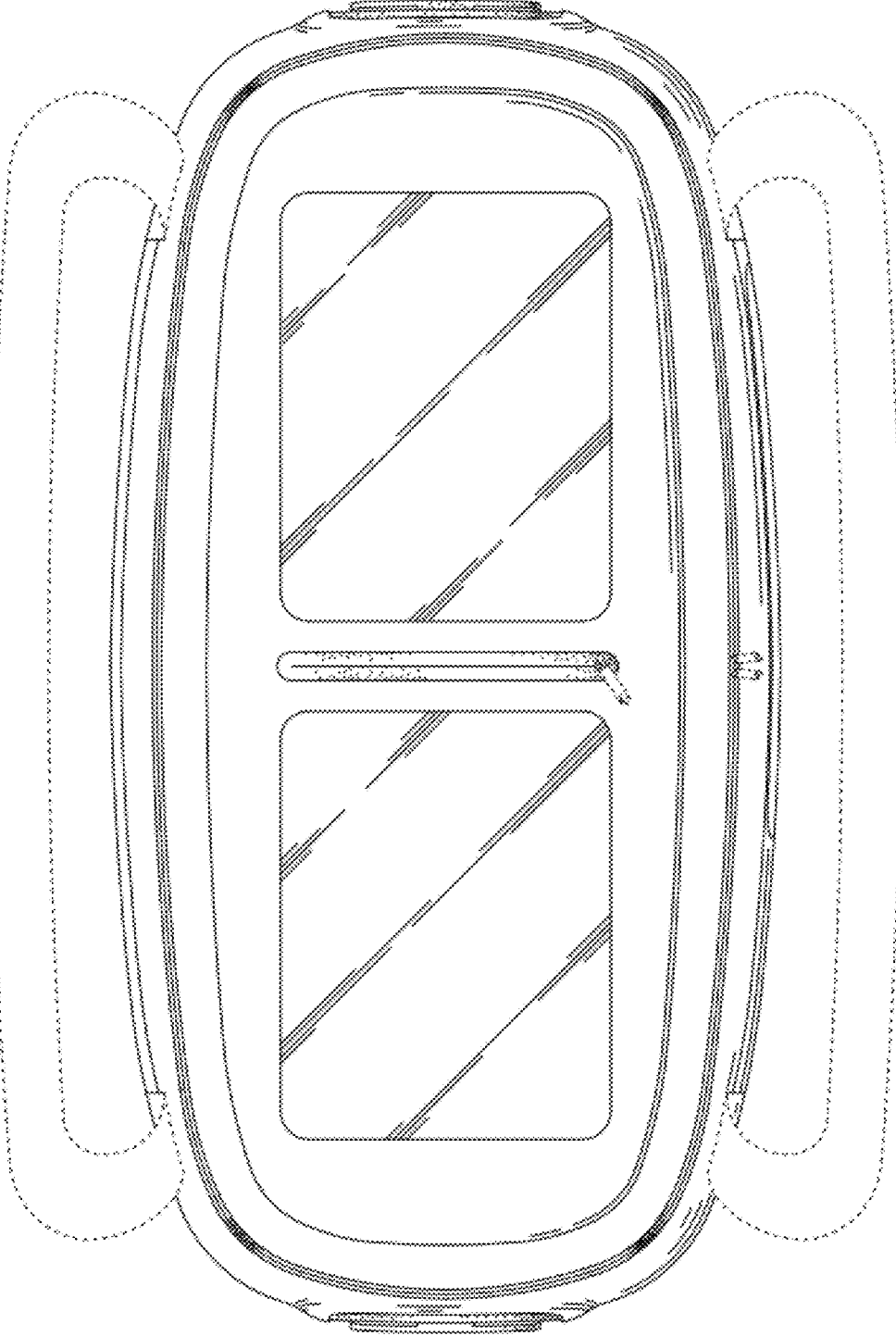


Fig. 3

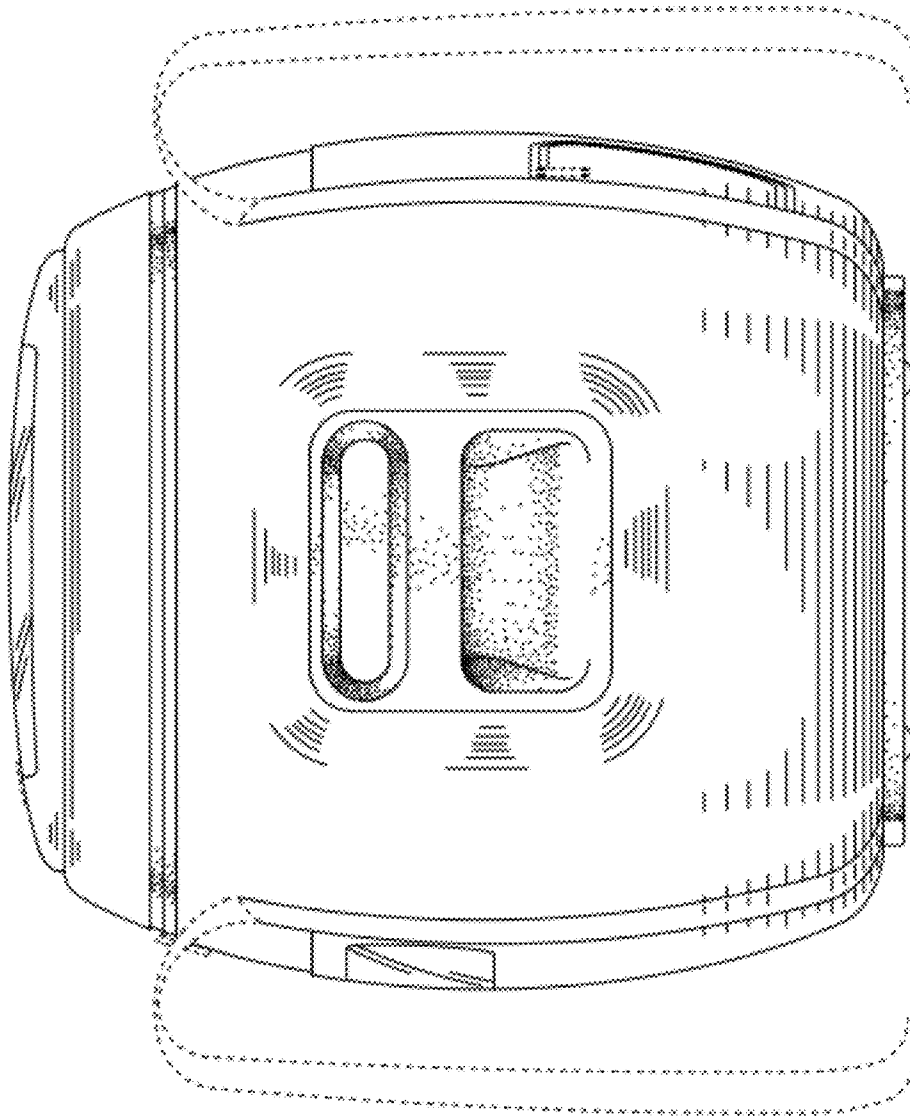


Fig. 4

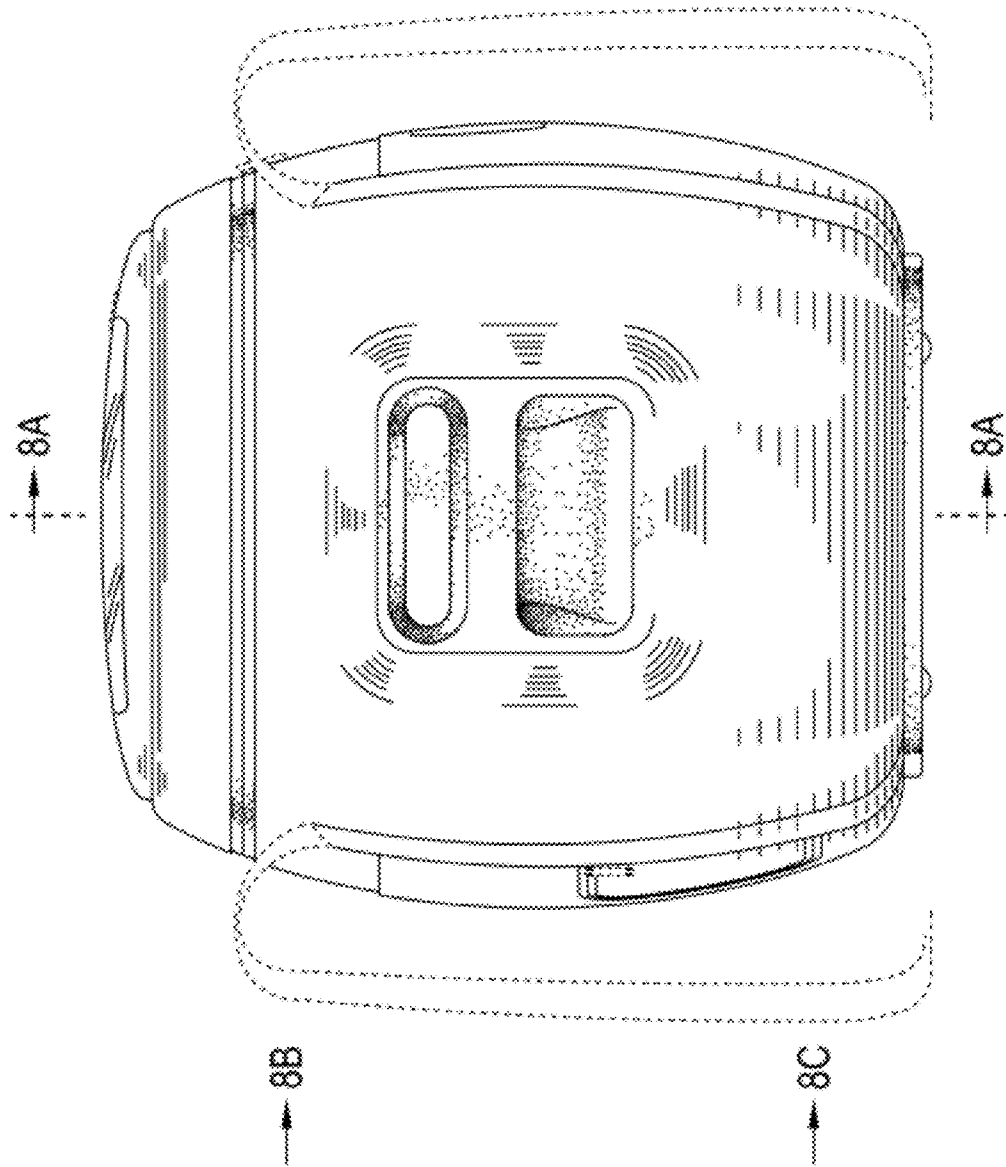


Fig. 5

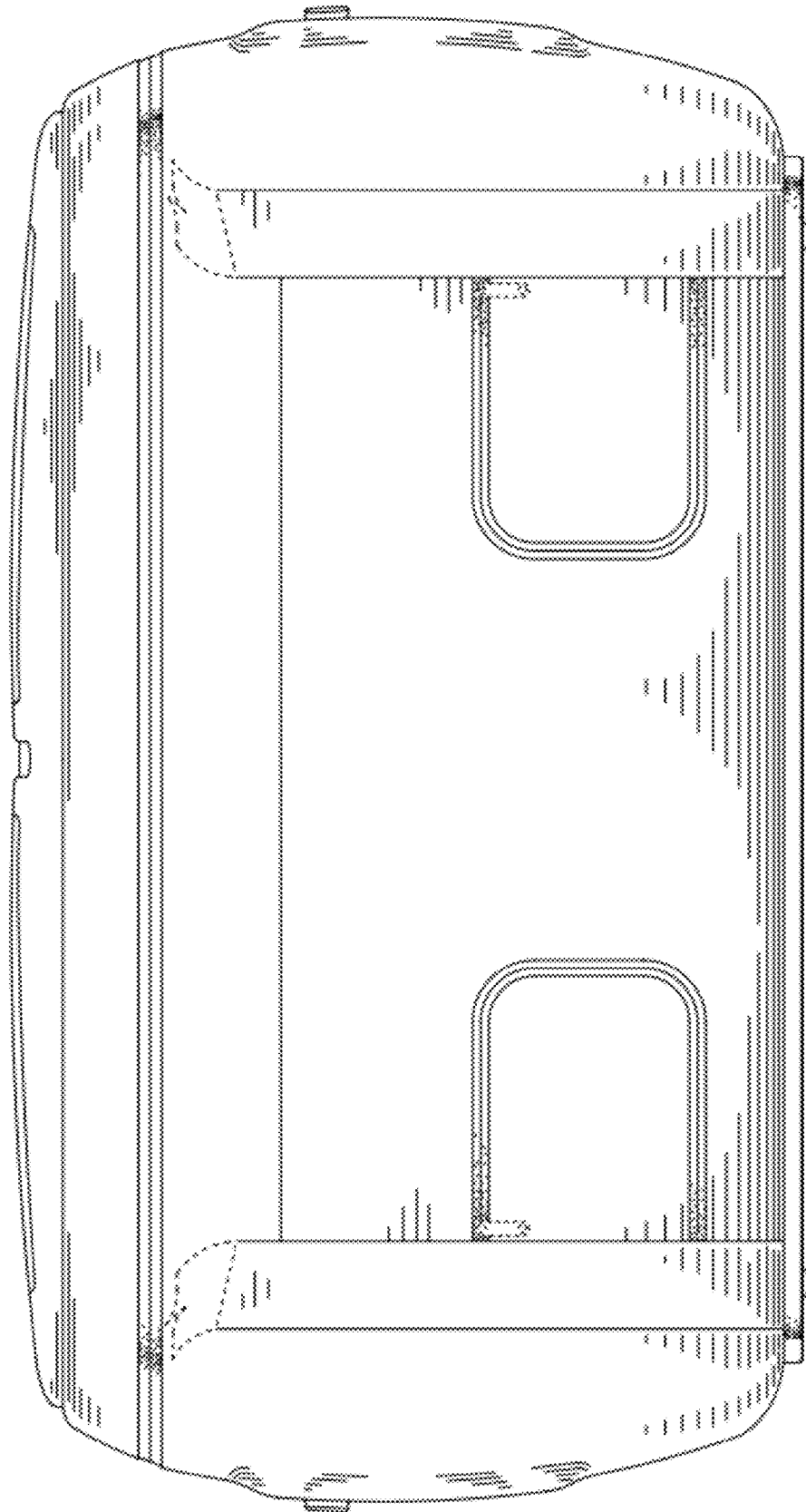


Fig. 6

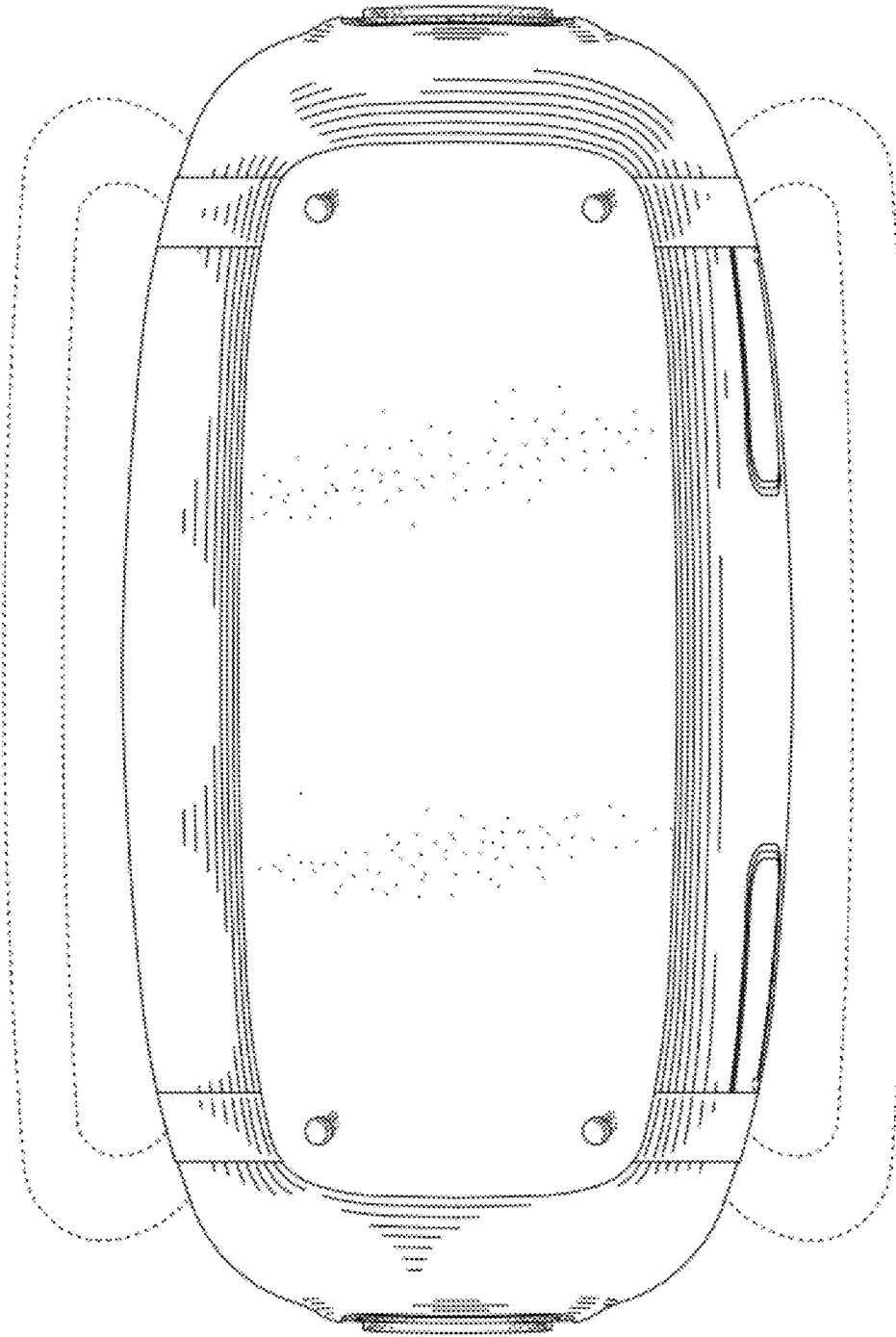


Fig. 7



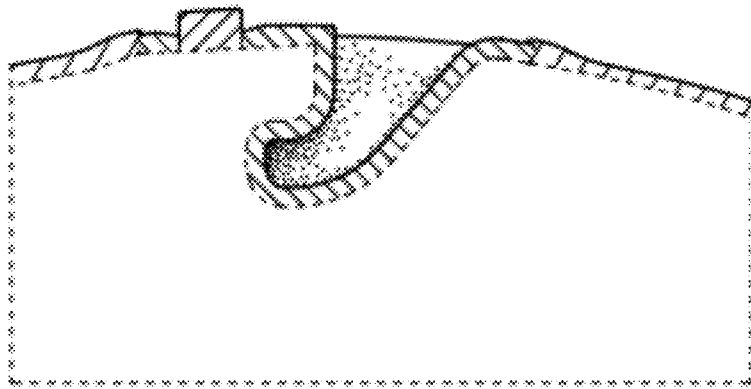


Fig. 8